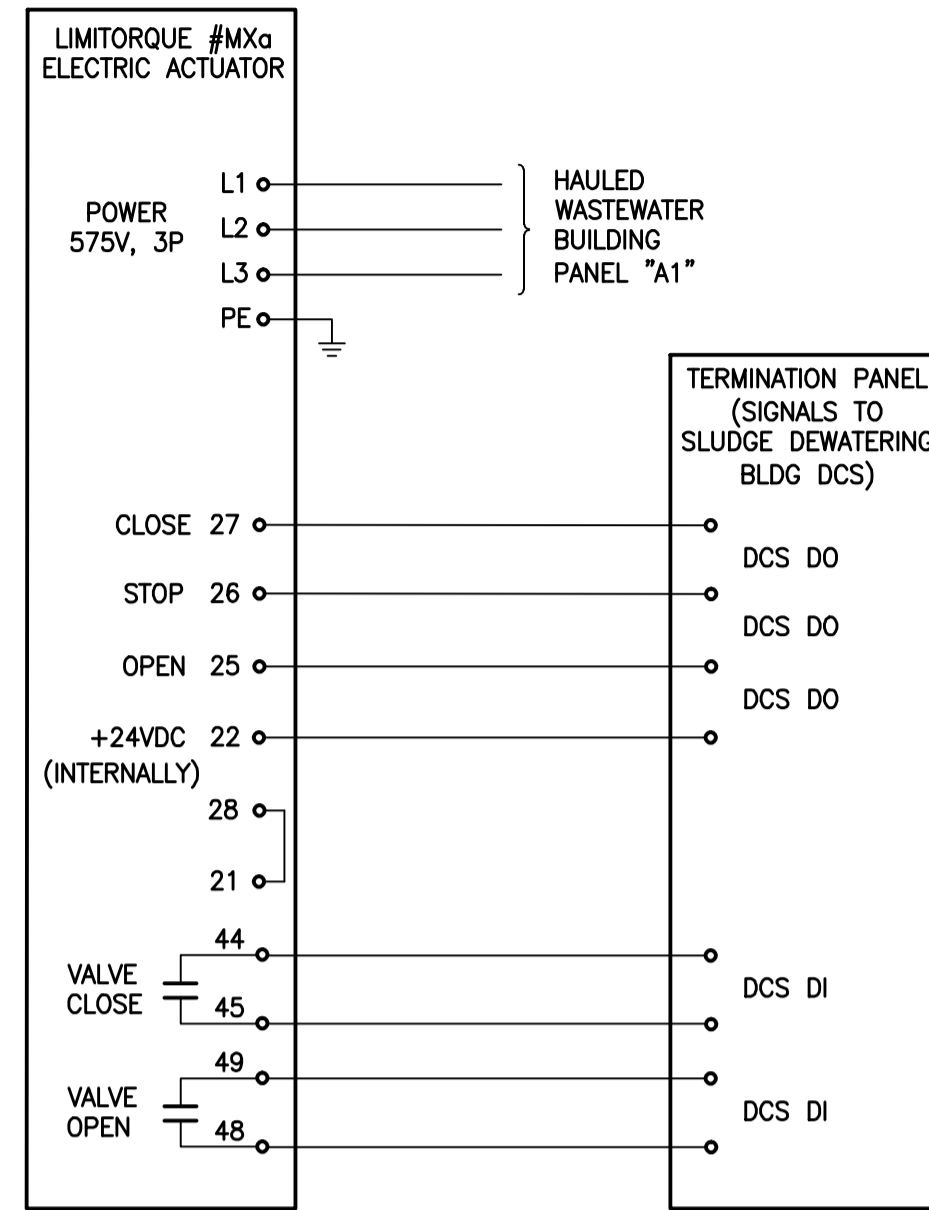
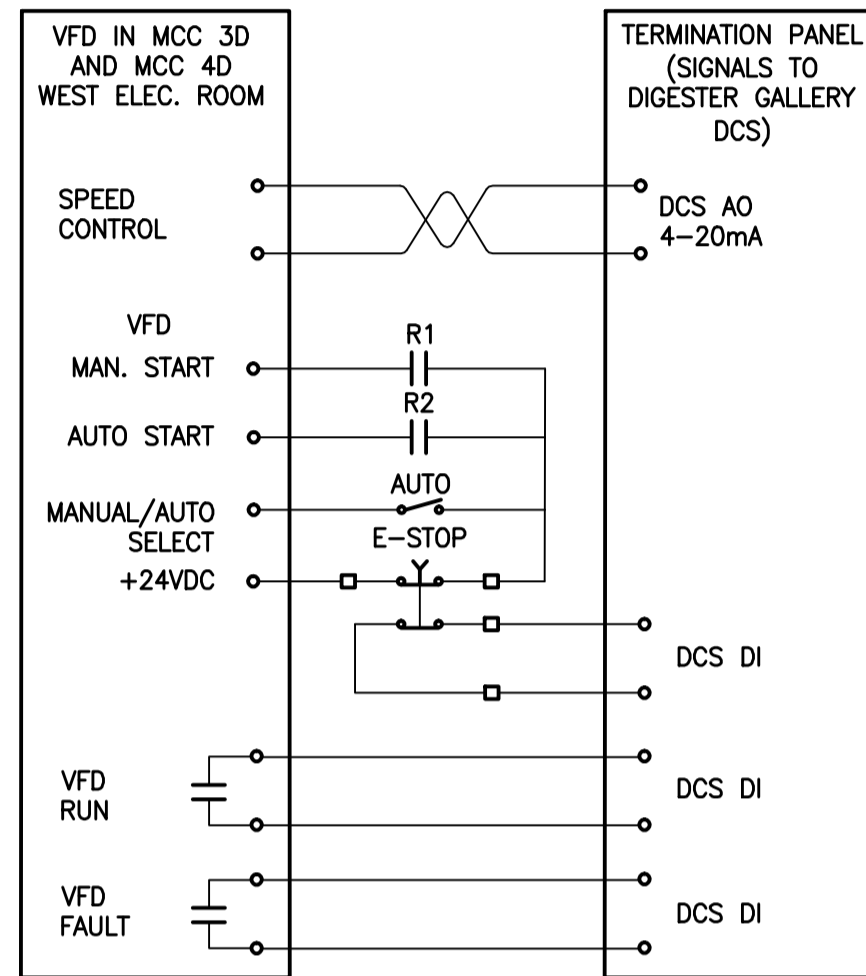
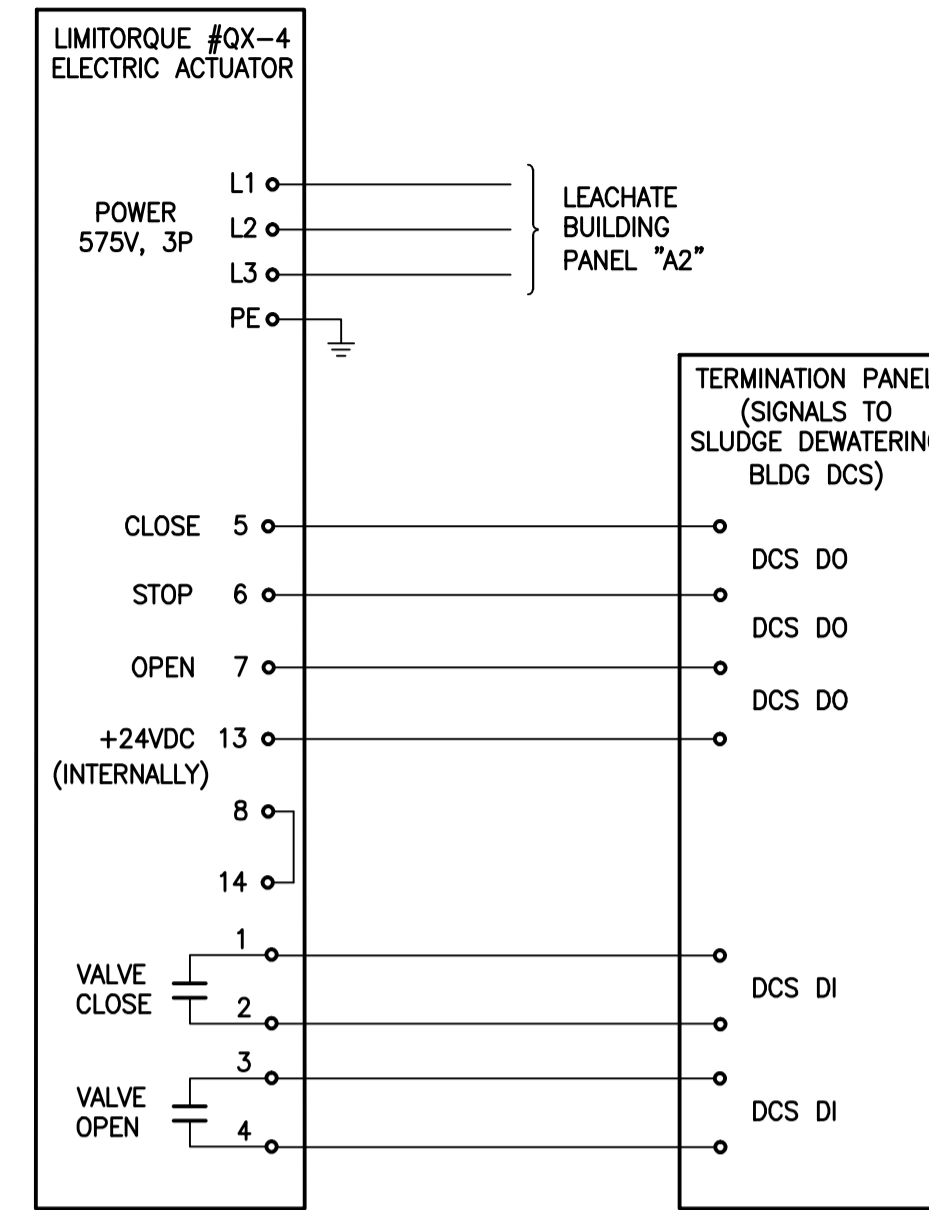


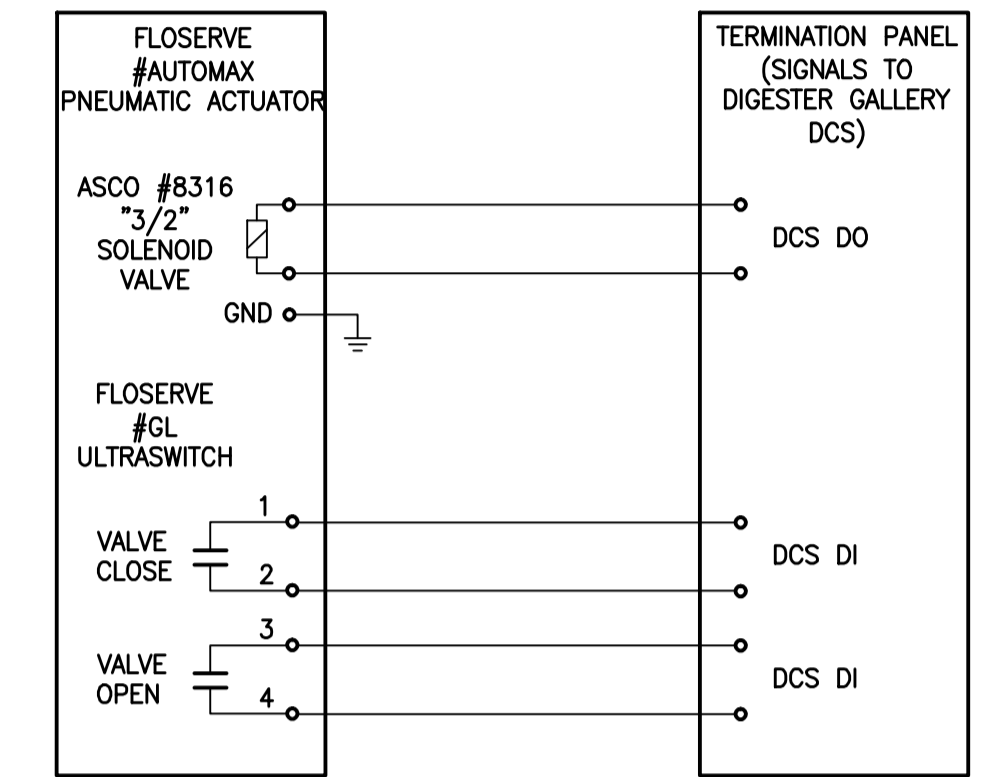
LEACHATE PUMP VFD WIRING DIAGRAM  
(TYPICAL FOR LP-3; LP-4; LP-5)



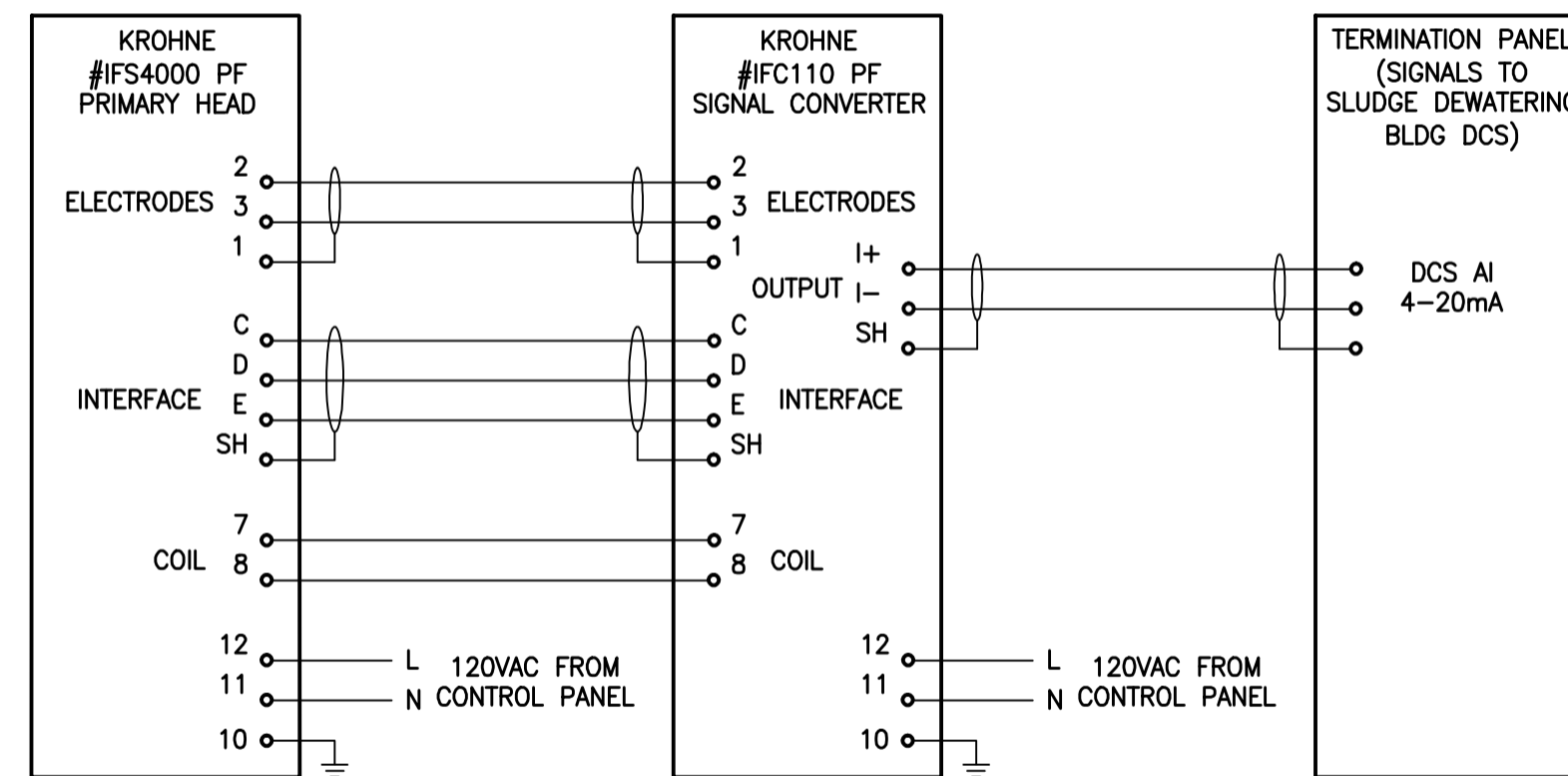
HAULED WASTEWATER BUILDING ELECTRIC ACTUATORS WIRING DIAGRAM  
(TYPICAL FOR SBV-1; SBV-2)



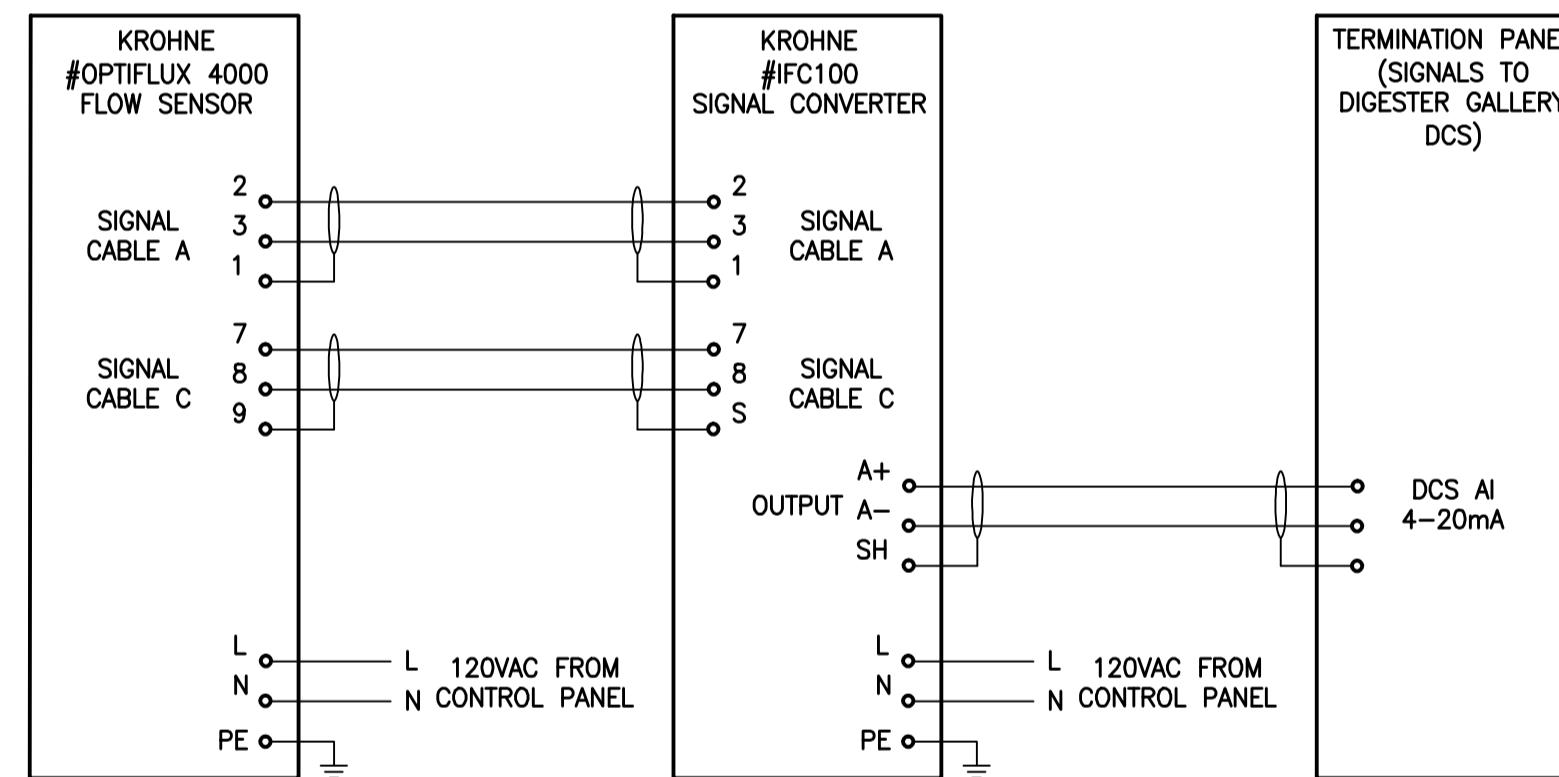
LEACHATE BUILDING ELECTRIC ACTUATORS WIRING DIAGRAM  
(TYPICAL FOR LBV-1; LBV-2; LBV-3; LBV-4; LBV-5; LBV-6; LBV-7)



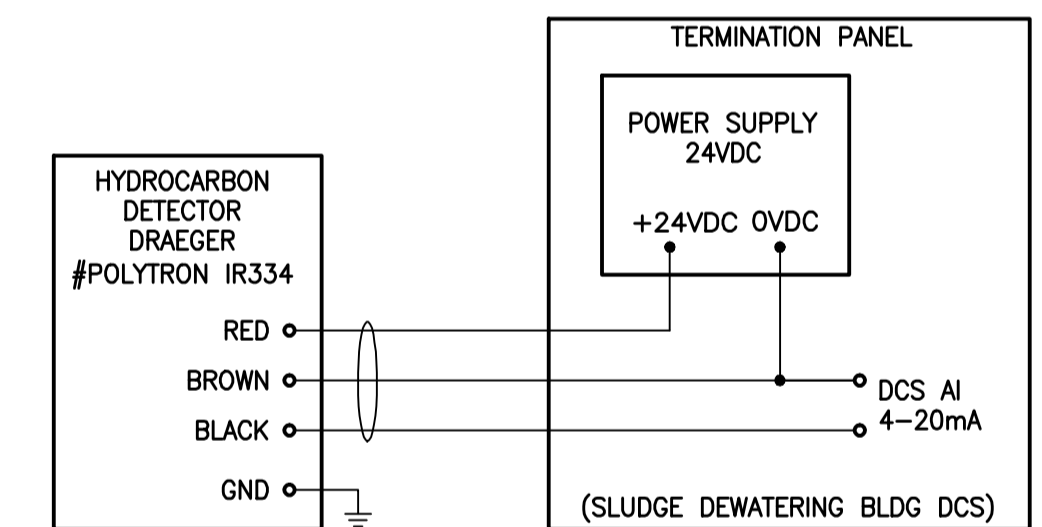
DIGESTER BUILDING PNEUMATIC ACTUATORS WIRING DIAGRAM  
(TYPICAL FOR LBV-8; LBV-9; LBV-10; LBV-11; LBV-12; LBV-13; LBV-14)



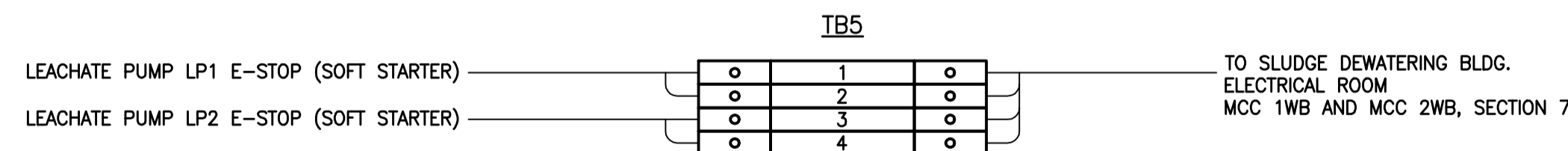
FLOW METERS FOR PARTIALLY FILLED PIPES WIRING DIAGRAM  
(TYPICAL FOR FIT-1; FIT-2; FIT-3; FIT-4)



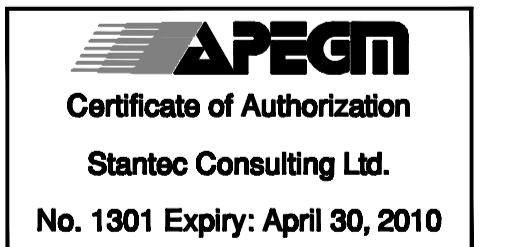
FLOW METERS WIRING DIAGRAM  
(TYPICAL FIT-5; FIT-6)



HYDROCARBON DETECTOR WIRING DIAGRAM  
(TYPICAL FOR AIT-1; AIT-2; AIT-3; AIT-4)



LEACHATE RECEIVING BUILDING TERMINATION PANEL TB5 STRIP (E-STOPS TO SOFT STARTERS)



LOCATION APPROVED UNDERGROUND STRUCTURES		B.M. ELEV.
SUPV. U/G STRUCTURES COMMITTEE	DATE	
NOTE: LOCATION OF UNDERGROUND STRUCTURES AS SHOWN ARE BASED ON THE BEST INFORMATION AVAILABLE BUT NO GUARANTEE IS GIVEN THAT ALL EXISTING UTILITIES ARE SHOWN OR THAT THE GIVEN LOCATIONS ARE EXACT. CONFIRMATION OF EXISTENCE AND EXACT LOCATION OF ALL SERVICES MUST BE OBTAINED FROM THE INDIVIDUAL UTILITIES BEFORE PROCEEDING WITH CONSTRUCTION.		
A	ISSUED FOR TENDER	10.02.16 S.T.
NO.	REVISIONS	DATE BY
		DATE 09.11.20

Stantec Consulting Ltd.		ENGINEER'S SEAL
905 Waverley Street, Winnipeg, Manitoba Tel 204-489-5900 Fax 204-453-9012		
DESIGNED BY S.T.	CHECKED BY D.D.	
DRAWN BY S.T.	APPROVED BY	
HOR. SCALE: -	RELEASED FOR CONSTRUCTION:	
DATE 09.11.20	DATE	

THE CITY OF WINNIPEG WATER AND WASTE DEPARTMENT	
NORTH END WATER POLLUTION CONTROL CENTRE HAULED WASTEWATER RECEIVING FACILITIES HAULED WASTEWATER AND LEACHATE RECEIVING BUILDING	
MISCELLANEOUS WIRING DETAILS	
TENDER NO. 822-2009	CITY DRAWING NUMBER 1-0101A-A0005-001
SHEET 1	OF 1

V:\1112\view\11121830\winning\104\_working\shel\104\_electrical\MISC\111200-107-misc.dwg 2010-02-12 08:39PM By: jhnt

**METRIC**  
WHOLE NUMBERS INDICATE MILLIMETRES  
DECIMALIZED NUMBERS INDICATE METRES