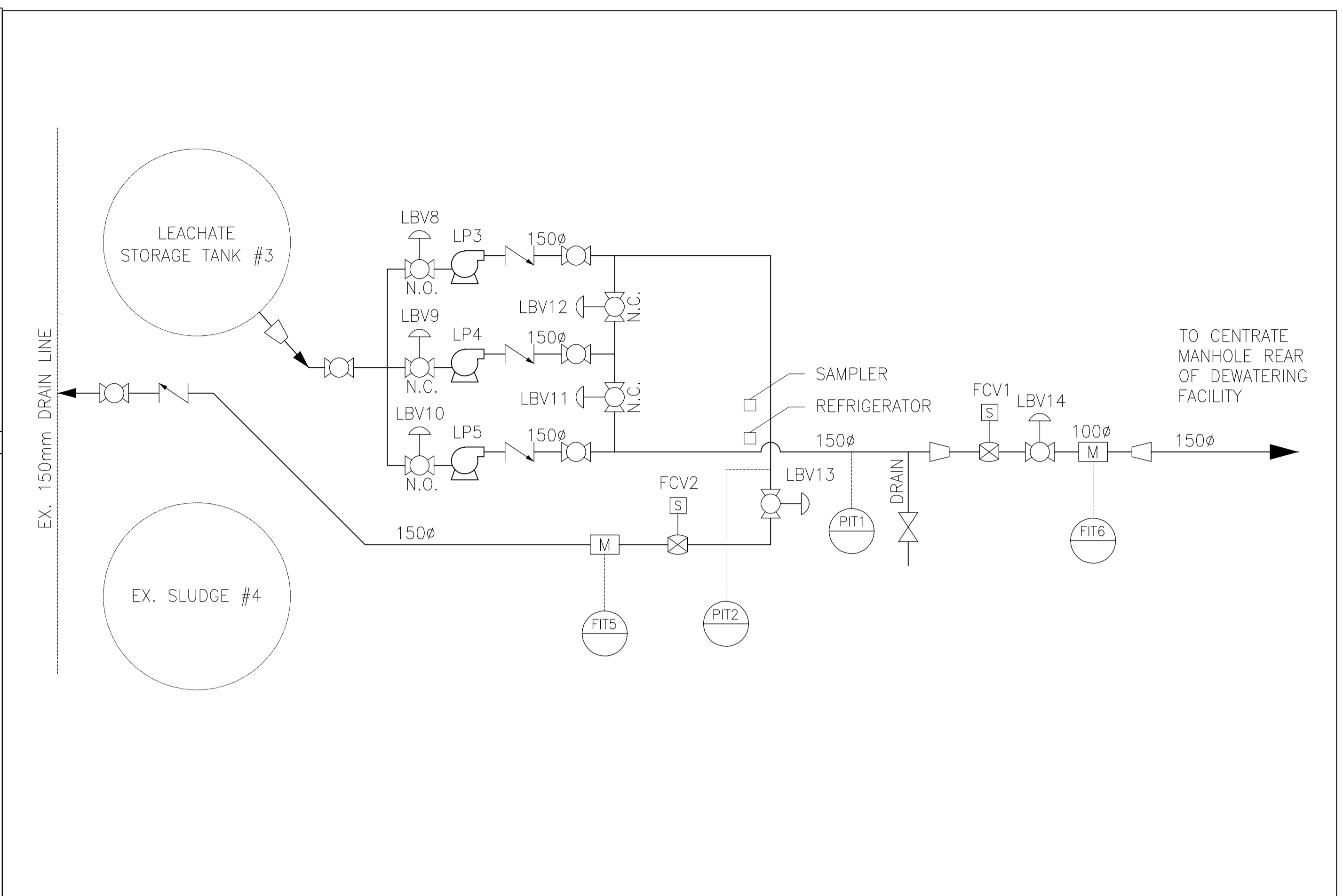
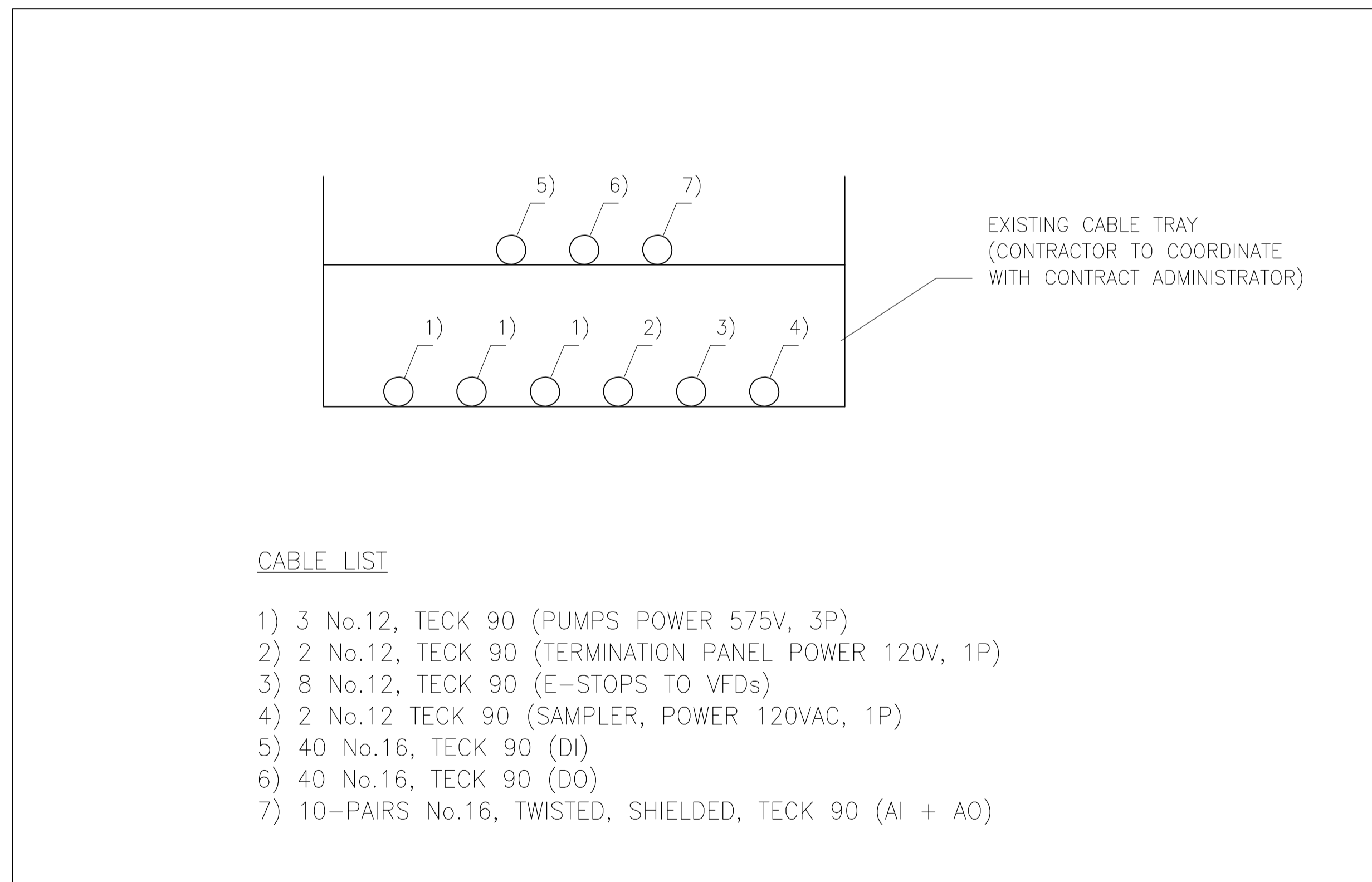


SITE PLAN  
NTS



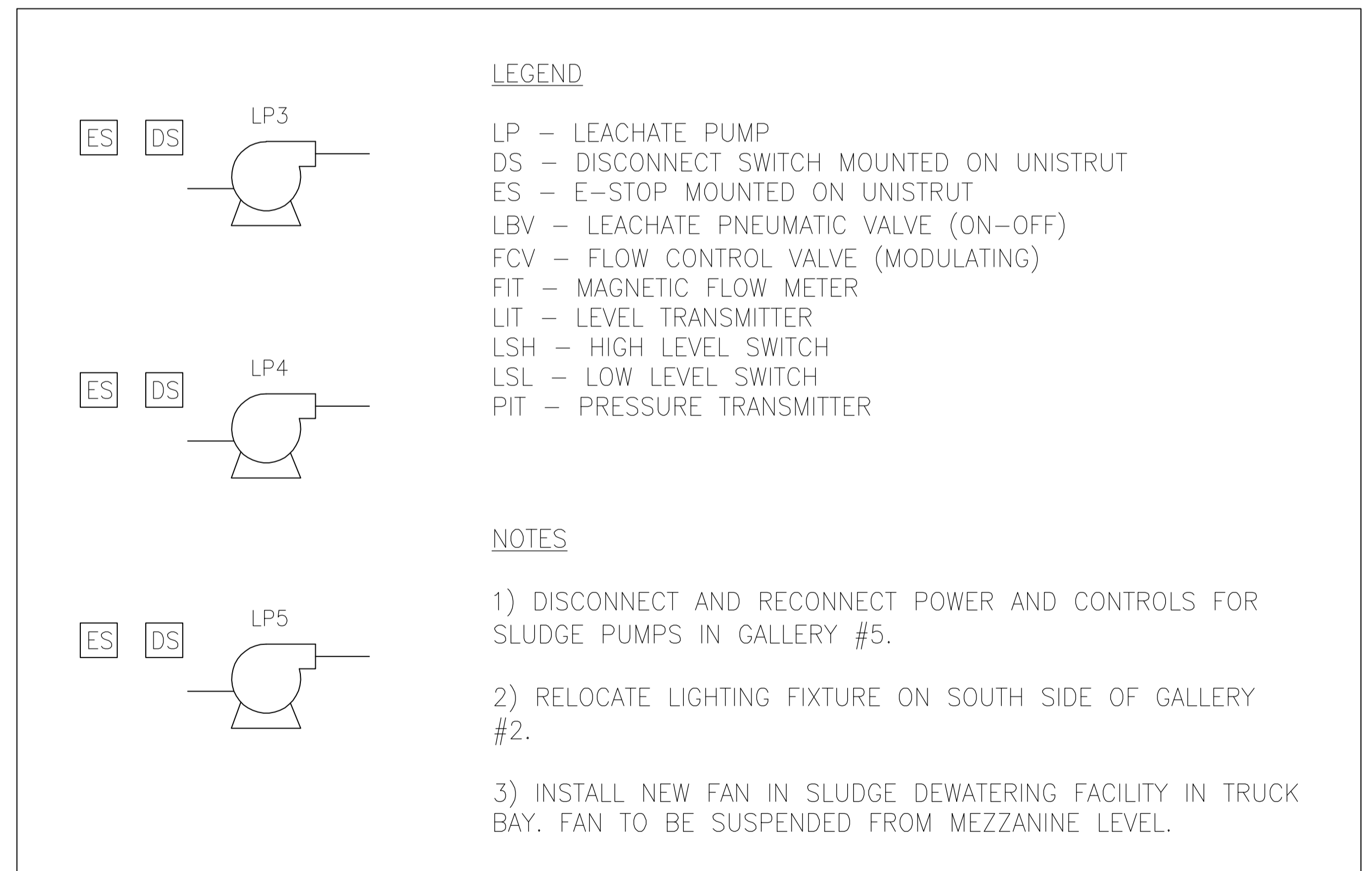
DETAIL #1



CABLE LIST

- 1) 3 No.12, TECK 90 (PUMPS POWER 575V, 3P)
- 2) 2 No.12, TECK 90 (TERMINATION PANEL POWER 120V, 1P)
- 3) 8 No.12, TECK 90 (E-STOPS TO VFDs)
- 4) 2 No.12 TECK 90 (SAMPLER, POWER 120VAC, 1P)
- 5) 40 No.16, TECK 90 (DI)
- 6) 40 No.16, TECK 90 (DO)
- 7) 10-PAIRS No.16, TWISTED, SHIELDED, TECK 90 (AI + AO)

DETAIL #2

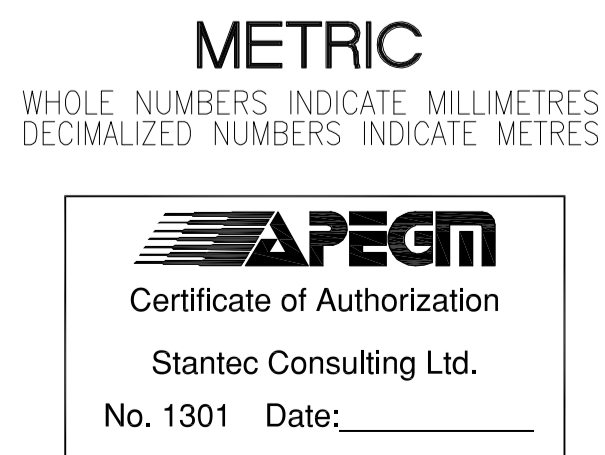


LEGEND

NOTES

- 1) DISCONNECT AND RECONNECT POWER AND CONTROLS FOR SLUDGE PUMPS IN GALLERY #5.
- 2) RELOCATE LIGHTING FIXTURE ON SOUTH SIDE OF GALLERY #2.
- 3) INSTALL NEW FAN IN SLUDGE DEWATERING FACILITY IN TRUCK BAY. FAN TO BE SUSPENDED FROM MEZZANINE LEVEL.

DETAIL #3



LOCATION APPROVED UNDERGROUND STRUCTURES		B.M. ELEV.
SUPV. U/G STRUCTURES COMMITTEE	DATE	
NOTE: LOCATION OF UNDERGROUND STRUCTURES AS SHOWN ARE BASED ON THE BEST INFORMATION AVAILABLE BUT NO GUARANTEE IS GIVEN THAT ALL EXISTING UTILITIES ARE SHOWN OR THAT THE GIVEN LOCATIONS ARE EXACT. CONFIRMATION OF EXISTENCE AND EXACT LOCATION OF ALL SERVICES MUST BE OBTAINED FROM THE INDIVIDUAL UTILITIES BEFORE PROCEEDING WITH CONSTRUCTION.		
A	ISSUED FOR TENDER	10.02.16 S.T.
NO.	REVISIONS	DATE BY

<b>Stantec Consulting Ltd.</b> 905 Waverley Street, Winnipeg, Manitoba Tel 204-489-5900 Fax 204-453-9012	
DESIGNED BY W.A.	CHECKED BY A.B.
DRAWN BY W.A.	APPROVED BY A.B.
HOR. SCALE: AS NOTED	
VERTICAL:	
RELEASED FOR CONSTRUCTION:	
DATE	

ENGINEER'S SEAL
TENDER NO. 822-2009

<b>THE CITY OF WINNIPEG</b> WATER AND WASTE DEPARTMENT	
NORTH END WATER POLLUTION CONTROL CENTRE HAULED LIQUID WASTE RECEIVING FACILITIES DIGESTER GALLERY SITE PLAN, MISCELLANEOUS WIRING DETAILS	
CITY DRAWING NUMBER I-OIOIA-A0006-001	SHEET OF 1 1

V:\112\active\1121930\wiring\404\_working\level\_files\electrical\WEP\11930-108-misc.dwg  
 2009-11-30 02:17PM By: aummeier