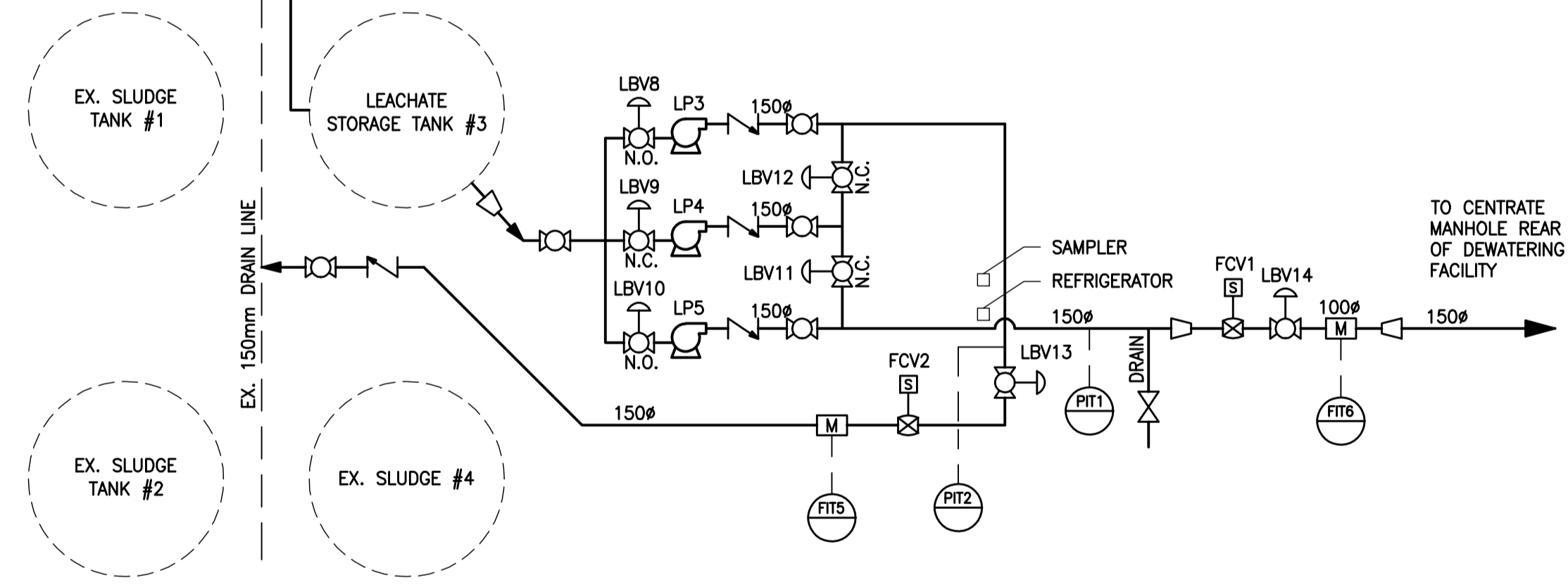


- LEGEND**
- AIT - HYDROCARBON DETECTOR
 - FIT - MAGNETIC FLOW METER
 - LIT - LEVEL TRANSMITTER
 - PIT - PRESSURE TRANSMITTER
 - LP - LEACHATE PUMP
 - SBV - HAULED WASTEWATER MOTORIZED VALVE (ON-OFF)
 - LBV - LEACHATE MOTORIZED VALVE (ON-OFF)
 - FCV - FLOW CONTROL VALVE (MODULATING)



LOCATION APPROVED UNDERGROUND STRUCTURES

SUPV. U/G STRUCTURES DATE COMMITTEE

NOTE:
LOCATION OF UNDERGROUND STRUCTURES AS SHOWN ARE BASED ON THE BEST INFORMATION AVAILABLE BUT NO GUARANTEE IS GIVEN THAT ALL EXISTING UTILITIES ARE SHOWN OR THAT THE GIVEN LOCATIONS ARE EXACT. CONFIRMATION OF EXISTENCE AND EXACT LOCATION OF ALL SERVICES MUST BE OBTAINED FROM THE INDIVIDUAL UTILITIES BEFORE PROCEEDING WITH CONSTRUCTION.

| NO. | REVISIONS | DATE | BY |
|-----|-------------------|----------|------|
| A | ISSUED FOR TENDER | 10.02.16 | S.T. |

Stantec Consulting Ltd.
905 Waverley Street, Winnipeg, Manitoba
Tel 204-489-5900 Fax 204-453-9012

| | | | |
|-------------|------|----------------------------|----------|
| DESIGNED BY | S.T. | CHECKED BY | D.D. |
| DRAWN BY | S.T. | APPROVED BY | - |
| HOR. SCALE: | - | RELEASED FOR CONSTRUCTION: | - |
| VERTICAL: | - | DATE | 09.11.20 |

ENGINEER'S SEAL

TENDER NO. 822-2009

THE CITY OF WINNIPEG
WATER AND WASTE DEPARTMENT

Winnipeg

NORTH END WATER POLLUTION CONTROL CENTRE
HAULED WASTEWATER RECEIVING FACILITIES
HAULED WASTEWATER AND LEACHATE RECEIVING BUILDINGS

PROCESS AND INSTRUMENTATION DIAGRAM

CITY DRAWING NUMBER 1-0101A-A007-001

SHEET 1 OF 1

APEGM
Certificate of Authorization
Stantec Consulting Ltd.
No. 1301 Expiry: April 30, 2010

METRIC
WHOLE NUMBERS INDICATE MILLIMETRES
DECIMALIZED NUMBERS INDICATE METRES

V:\1112\view\11121130\winney\loc_working\ahed_john\electrical\MEP\DC\11930c-108-mepoc.dwg 2010-02-12 08:41PM By: jhnt