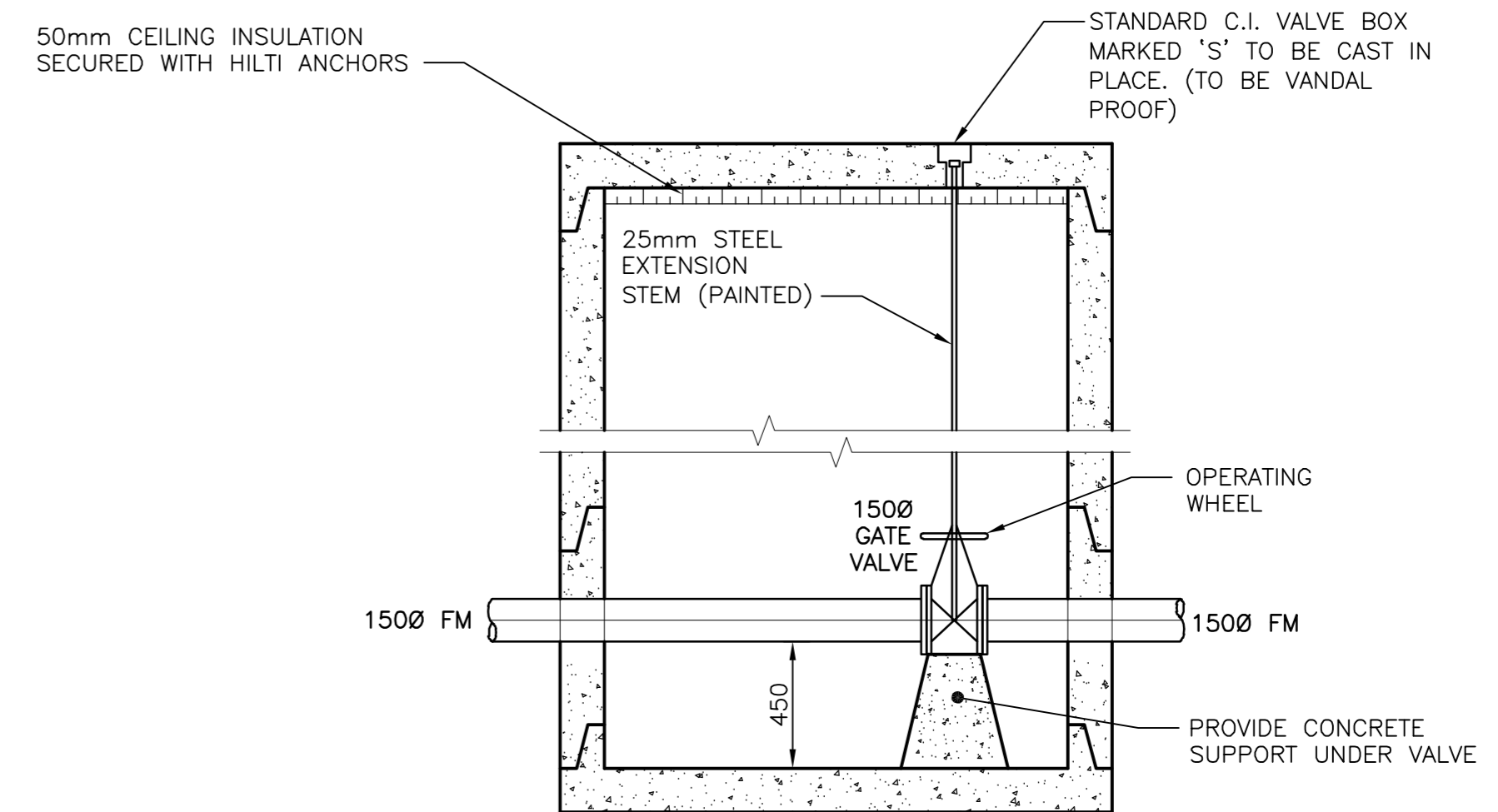


1 DETAIL  
C0005 1:25



A SECTION  
- 1:25

W. side Main St. on the grounds of the North end Treatment Plant, Tbt. on top of Conc. pit in front of the Main Bldg., 22.3m E. of line of most Ely. wall & 32.8m S. of most Nly. wall of Main Bldg. (Ties to Tbt.).

**METRIC**  
WHOLE NUMBERS INDICATE MILLIMETRES  
DECIMALIZED NUMBERS INDICATE METRES

**APEGM**  
Certificate of Authorization  
Stantec Consulting Ltd.  
No. 1301 Date: \_\_\_\_\_

150 WM	WATERMAIN	150 WM	M.T.S.
⊕	HYDRANT	⊕	CONCRETE
⊗	VALVE	⊗	ASPHALT
— 300 L.D.S.	LAND DRAINAGE SEWER	— 300 L.D.S.	SIDEWALK
— 250 W.W.S.	WASTE WATER SEWER	— 250 W.W.S.	PROPERTY LINE
—	VENT PIPING	—	SURVEY BAR
○	MANHOLE	●	DITCH
□	CATCH BASIN	■	ELEVATION
—	GAS	—	
—	HYDRO	—	
---	EXISTING	---	LEGEND-PLAN
---	LEGEND-PLAN	---	PROPOSED

**LOCATION APPROVED UNDERGROUND STRUCTURES**

SUPV. U/G STRUCTURES DATE COMMITTEE

NOTE:  
LOCATION OF UNDERGROUND STRUCTURES AS SHOWN ARE BASED ON THE BEST INFORMATION AVAILABLE BUT NO GUARANTEE IS GIVEN THAT ALL EXISTING UTILITIES ARE SHOWN OR THAT THE GIVEN LOCATIONS ARE EXACT. CONFIRMATION OF EXISTENCE AND EXACT LOCATION OF ALL SERVICES MUST BE OBTAINED FROM THE INDIVIDUAL UTILITIES BEFORE PROCEEDING WITH CONSTRUCTION.

NO.	ISSUED FOR TENDER	DATE	BY
A	ISSUED FOR TENDER	10.02.16	H.A.K.
	REVISIONS		

**Stantec Consulting Ltd.**  
905 Waverley Street, Winnipeg, Manitoba  
Tel 204-489-5900 Fax 204-453-9012

DESIGNED BY: B.J.R. CHECKED BY: H.A.K.  
DRAWN BY: W.R.A. APPROVED BY: B.J.R.

HOR. SCALE: 1:250  
VERTICAL: \_\_\_\_\_

RELEASED FOR CONSTRUCTION: \_\_\_\_\_

ENGINEER'S SEAL

BID OPPORTUNITY NO.	CITY DRAWING NUMBER	SHEET OF
822-2009	1-0101A-C0005-001	1 1

**THE CITY OF WINNIPEG**  
WATER AND WASTE DEPARTMENT

**Winnipeg**

**NORTH END WATER POLLUTION CONTROL CENTRE**  
HAULED WASTEWATER RECEIVING FACILITIES

LEACHATE FORCEMAIN