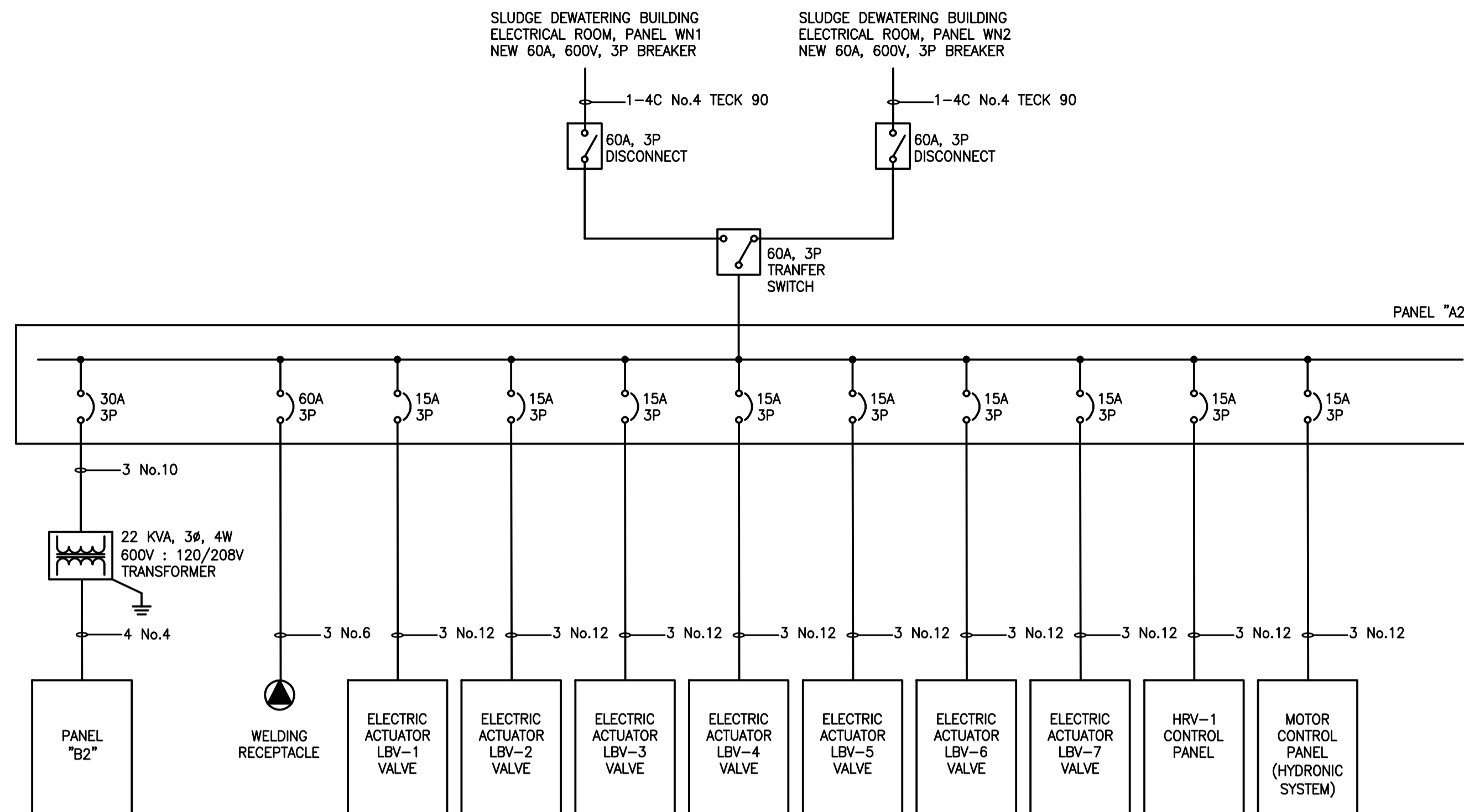
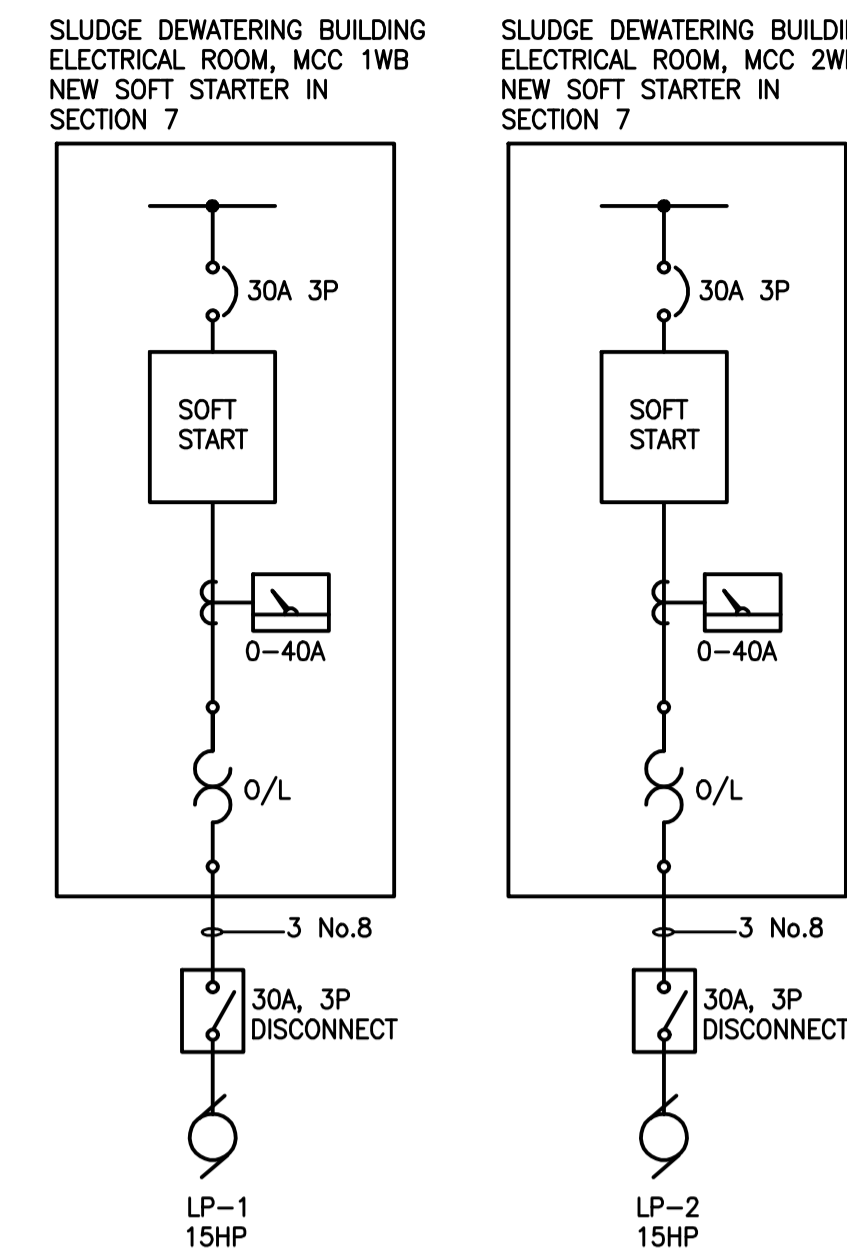


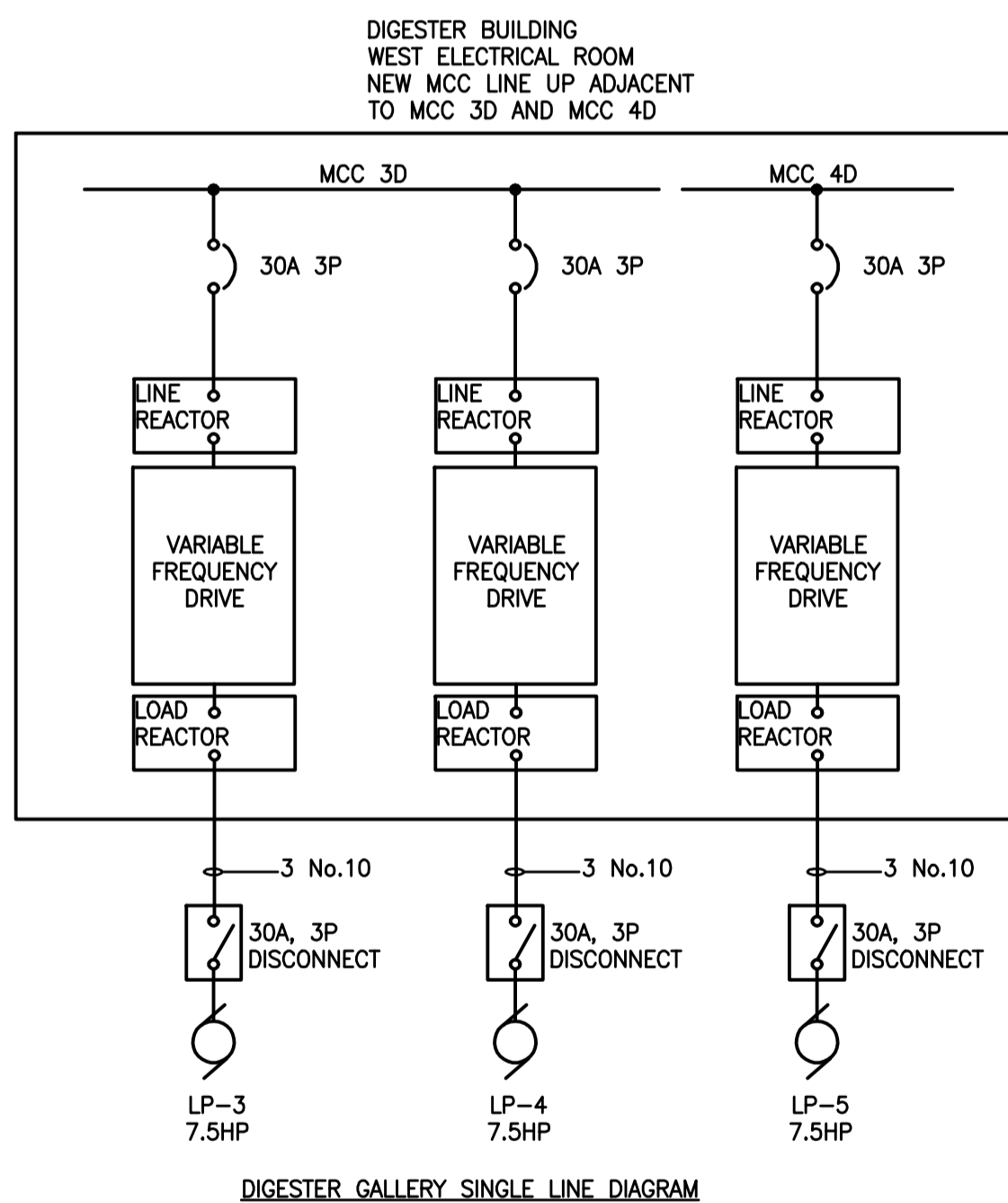
HAULED WASTEWATER BUILDING SINGLE LINE DIAGRAM



LEACHATE BUILDING SINGLE LINE DIAGRAM



NOTE: ELECTRICIAN TO CONFIRM ON SITE EXACT LOCATION OF EXISTING MCC.



DIGESTER GALLERY SINGLE LINE DIAGRAM

NOTE: ELECTRICIAN TO CONFIRM ON SITE EXACT LOCATION OF EXISTING MCC.

PANEL "A1" 347/600V, 3φ, 4W					100A MAINS				
DESCRIPTION	CCT.	BRK AMP	A B C	BRK AMP	CCT.	DESCRIPTION	CCT.	BRK AMP	A B C
TRANSFORMER 22kVA, 600/120-208V	1	30		15	2	VALVE SBV-1 ELECTRIC ACTUATOR	3	30	
VALVE SBV-2 ELECTRIC ACTUATOR	5	15		15	6	MOTOR CONTROL PANEL (HYDRONIC SYSTEM)	7	15	
HEAT RECOVERY VENTILATOR HRV-1 CONTROL PANEL	13	15		60	16	WELDING RECEIPTACLE	17	15	
STREET LIGHTS	19	15		15	20		21	15	

PANEL "A1" SCHEDULE

PANEL "A2" 347/600V, 3φ, 4W					100A MAINS				
DESCRIPTION	CCT.	BRK AMP	A B C	BRK AMP	CCT.	DESCRIPTION	CCT.	BRK AMP	A B C
TRANSFORMER 22kVA, 600/120-208V	1	30		15	2	VALVE LBV-1 ELECTRIC ACTUATOR	3	30	
VALVE LBV-2 ELECTRIC ACTUATOR	5	15		15	6	VALVE LBV-3 ELECTRIC ACTUATOR	7	15	
VALVE LBV-4 ELECTRIC ACTUATOR	13	15		15	16	VALVE LBV-5 ELECTRIC ACTUATOR	17	15	
VALVE LBV-6 ELECTRIC ACTUATOR	19	15		15	20	VALVE LBV-7 ELECTRIC ACTUATOR	21	15	
HEAT RECOVERY VENTILATOR HRV-1 CONTROL PANEL	25	15		60	28	WELDING RECEIPTACLE	29	15	
STREET LIGHTS	31	15		15	32		33	15	

PANEL "A2" SCHEDULE

PANEL "B1" 120/208V, 3φ, 4W					100A MAINS				
DESCRIPTION	CCT.	BRK AMP	A B C	BRK AMP	CCT.	DESCRIPTION	CCT.	BRK AMP	A B C
INDOOR LIGHTING	1	15		15	2	INDOOR LIGHTING	1	15	
HOIST	3	20		15	4	EMERGENCY / EXIT LIGHTS	3	20	
RECEPTACLES	5	15		15	6	RECEPTACLES	5	15	
SAMPLER REFRIGERATOR LINE 1	7	20		20	8	SAMPLER REFRIGERATOR LINE 2	7	20	
AIR COMPRESSOR	11	60		15	12	BOILER CONTROL PANEL	9	15	
SNOW MELTING CONTROL PANEL	13	15		20	16	SPARE	11	60	
HYDRONIC UNIT HEATER UH-1	15	15		15	18	SUMP PUMP	13	15	
GATES (LANE 1)	17	15		15	20	GATES (LANE 2)	15	15	
SECURITY CAMERAS (LANE 1)	21	15		15	22	SECURITY CAMERAS (LANE 2)	17	15	
EXHAUST FAN EF-1	25	15		15	26	EXHAUST FAN EF-2 (DEWATERING BLDG. TRUCK BAY)	19	15	
ELECTRIC WATER HEATER (3kW)	31	15		15	32		21	15	

PANEL "B1" SCHEDULE

PANEL "B2" 120/208V, 3φ, 4W					100A MAINS				
DESCRIPTION	CCT.	BRK AMP	A B C	BRK AMP	CCT.	DESCRIPTION	CCT.	BRK AMP	A B C
INDOOR LIGHTING	1	15		15	2	INDOOR LIGHTING	1	15	
HOIST	3	20		15	4	EMERGENCY / EXIT LIGHTS	3	20	
RECEPTACLES	5	15		15	6	RECEPTACLES	5	15	
SAMPLER REFRIGERATOR LINE 1	7	20		20	8	SAMPLER REFRIGERATOR LINE 2	7	20	
AIR COMPRESSOR	11	60		15	12	BOILER CONTROL PANEL	9	15	
SNOW MELTING CONTROL PANEL	13	15		20	16	SPARE	11	60	
HYDRONIC UNIT HEATER UH-1	15	15		15	18	SUMP PUMP	13	15	
GATES (LANE 1)	17	15		15	20	GATES (LANE 2)	15	15	
SECURITY CAMERAS (LANE 1)	21	15		15	22	SECURITY CAMERAS (LANE 2)	17	15	
EXHAUST FAN EF-1	25	15		15	26	EXHAUST FAN EF-2 (DEWATERING BLDG. TRUCK BAY)	19	15	
ELECTRIC WATER HEATER (3kW)	31	15		15	32		21	15	

PANEL "B2" SCHEDULE

LOCATION APPROVED UNDERGROUND STRUCTURES

SUPV. U/G STRUCTURES DATE COMMITTEE

NOTE: LOCATION OF UNDERGROUND STRUCTURES AS SHOWN ARE BASED ON THE BEST INFORMATION AVAILABLE BUT NO GUARANTEE IS GIVEN THAT ALL EXISTING UTILITIES ARE SHOWN OR THAT THE GIVEN LOCATIONS ARE EXACT. CONFIRMATION OF EXISTENCE AND EXACT LOCATION OF ALL SERVICES MUST BE OBTAINED FROM THE INDIVIDUAL UTILITIES BEFORE PROCEEDING WITH CONSTRUCTION.

DESIGNED BY	S.T.	CHECKED BY	D.D.
DRAWN BY	S.T.	APPROVED BY	
HOR. SCALE:	-	RELEASED FOR CONSTRUCTION:	
VERTICAL:			
ISSUED FOR TENDER	10.02.16	S.T.	
NO. REVISIONS		DATE	BY
		09.11.20	

**Stantec Consulting Ltd.** ENGINEER'S SEAL

905 Waverley Street, Winnipeg, Manitoba  
Tel 204-489-5900 Fax 204-453-9012

**THE CITY OF WINNIPEG WATER AND WASTE DEPARTMENT**

**Winnipeg**

NORTH END WATER POLLUTION CONTROL CENTRE  
HAULED WASTEWATER RECEIVING FACILITIES  
HAULED WASTEWATER AND LEACHATE RECEIVING BUILDINGS

SINGLE LINE DIAGRAMS, PANEL SCHEDULES

TENDER NO. 822-2009  
CITY DRAWING NUMBER 1-0101A-E0007-001  
SHEET 1 OF 1



V:\1112\Drawings\11121000\Drawings\104\_working\panel\_11m\electrical\WEP0001\1103a-103-rev-001.dwg  
2010-02-12 09:30:00 By: jhnt

**METRIC**  
WHOLE NUMBERS INDICATE MILLIMETRES  
DECIMALIZED NUMBERS INDICATE METRES