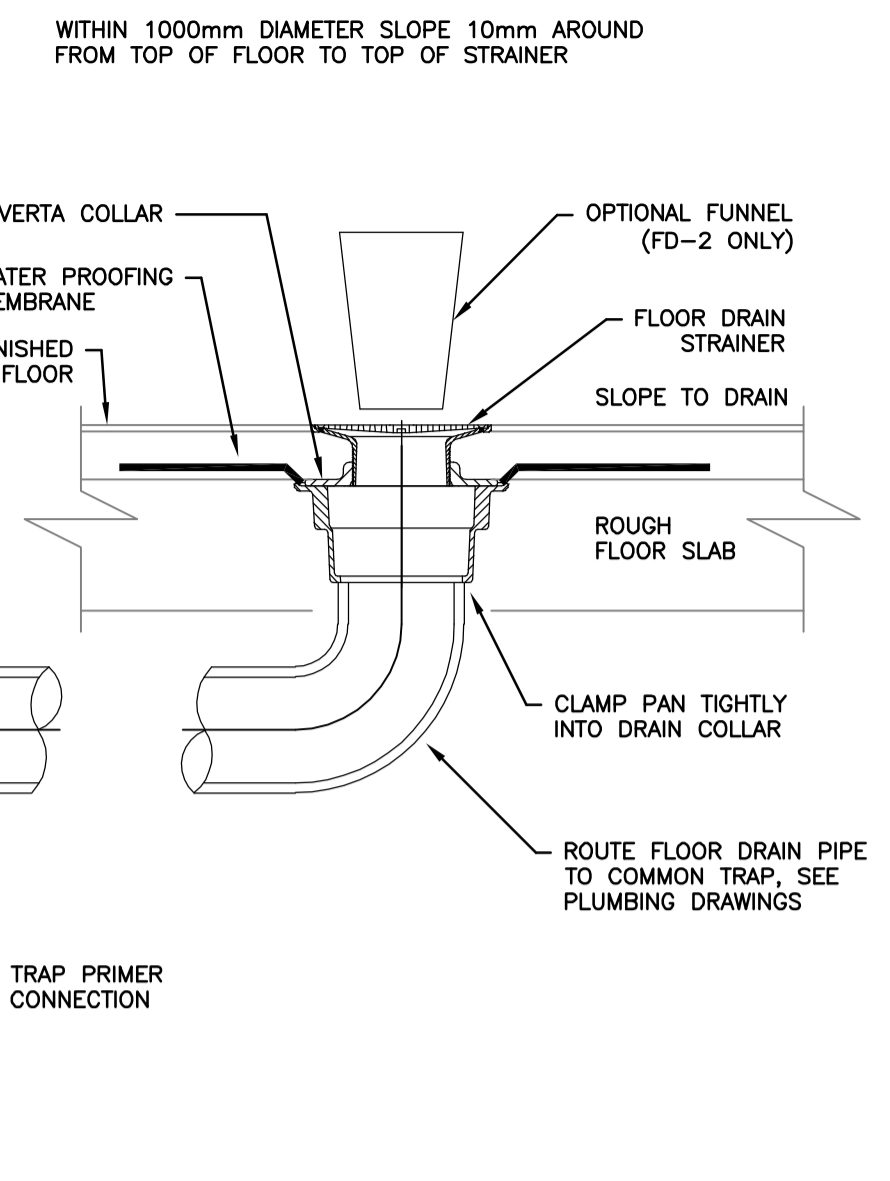
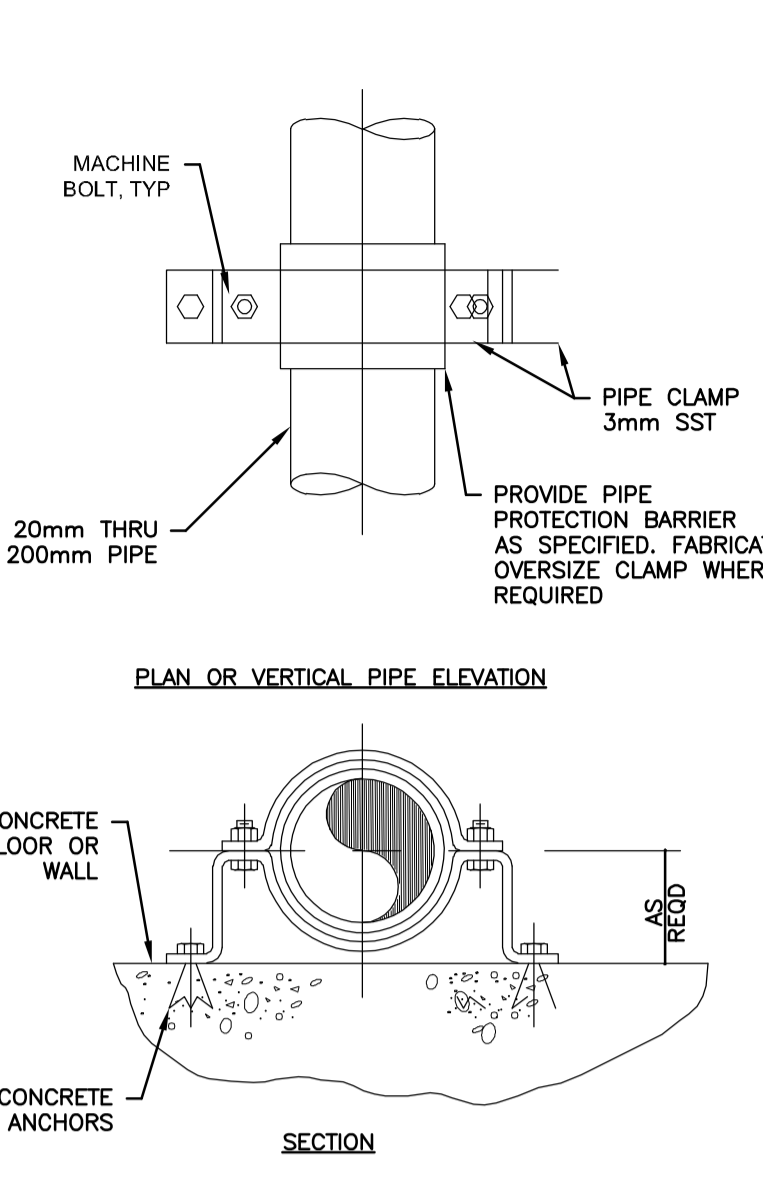


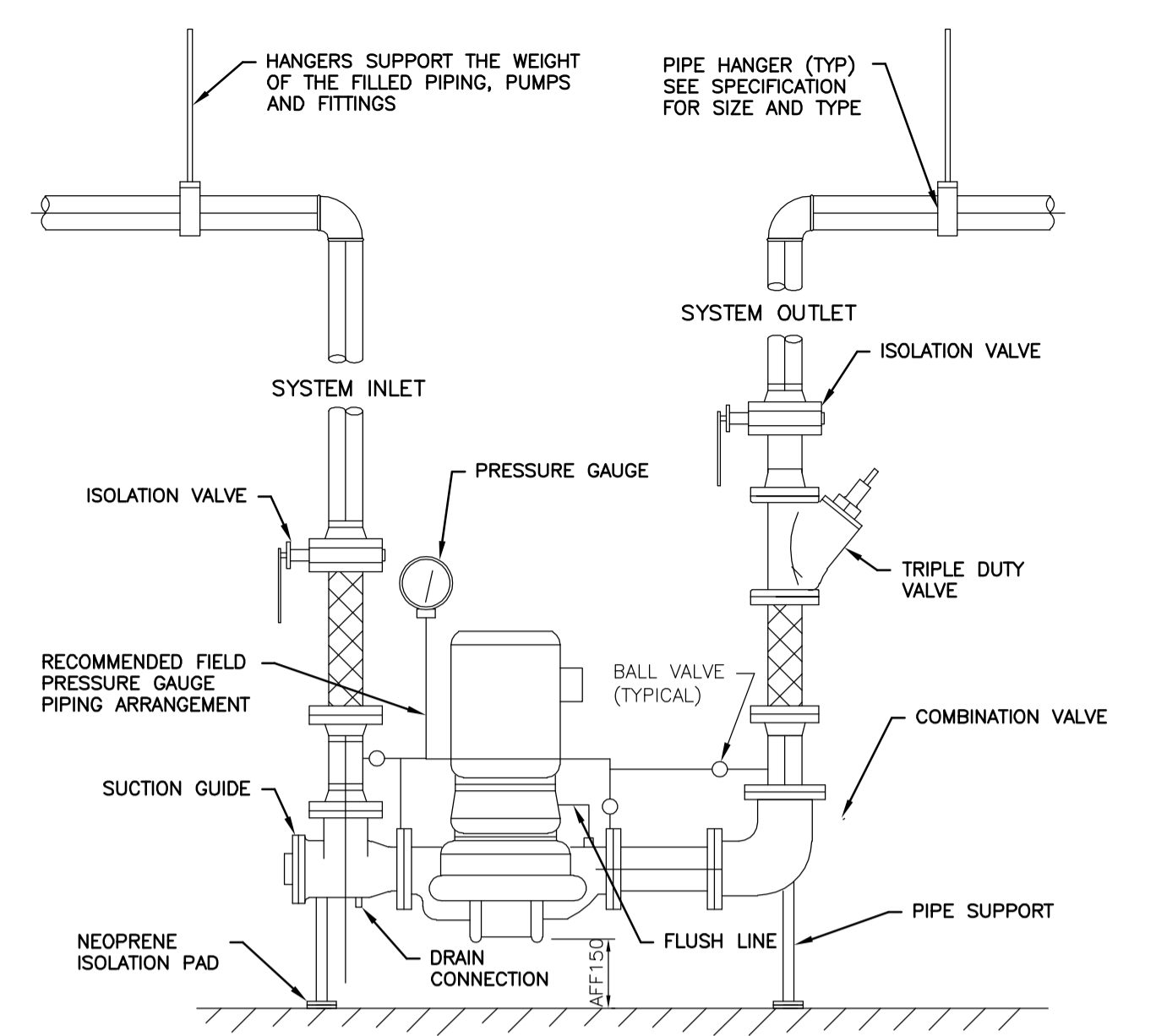
1 FLOOR DRAIN INSTALLATION DETAIL
M0002 | M0004 NTS



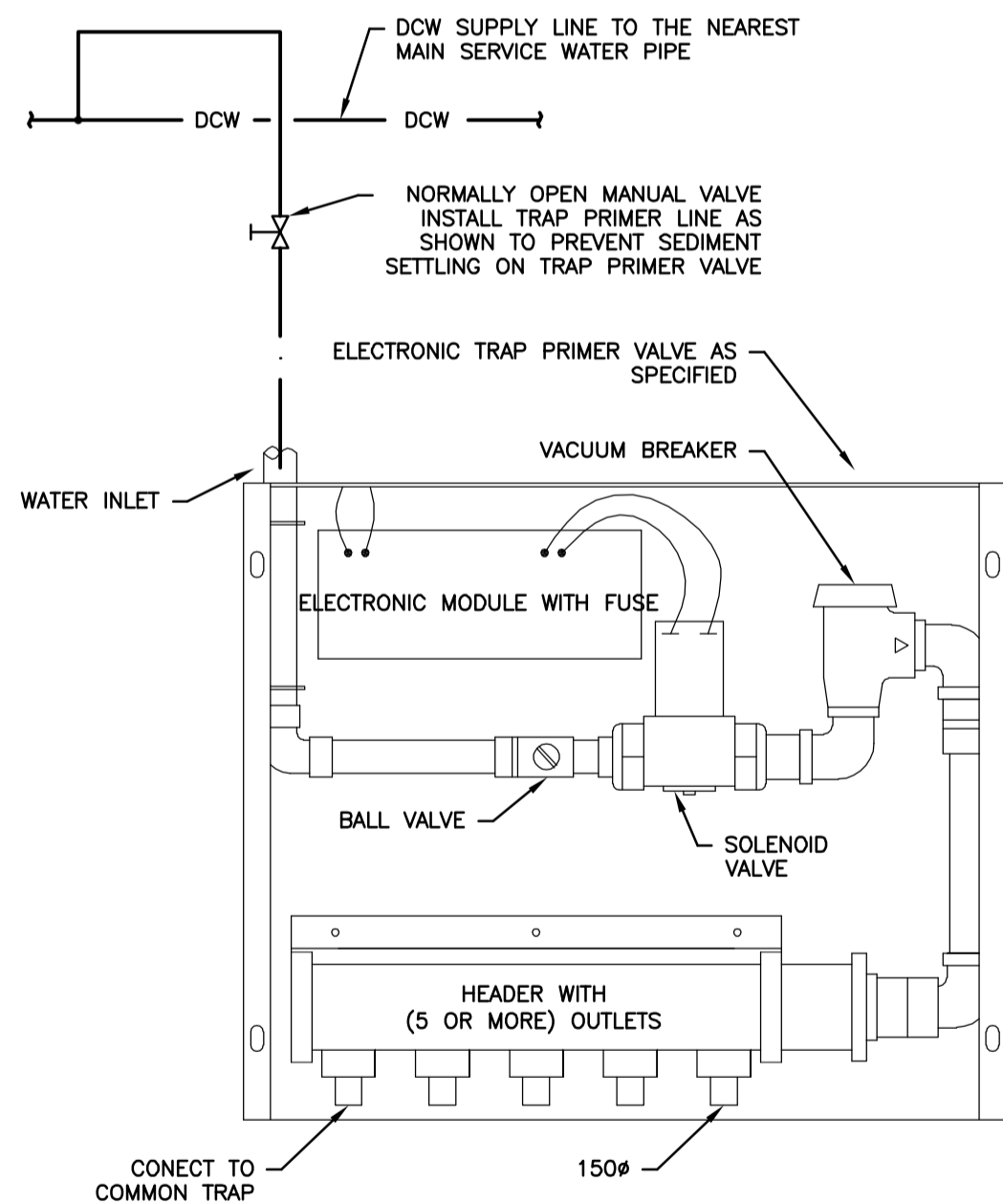
2 WALL/FLOOR MOUNTED PIPE SUPPORT DETAIL
M0002 | M0004 NTS



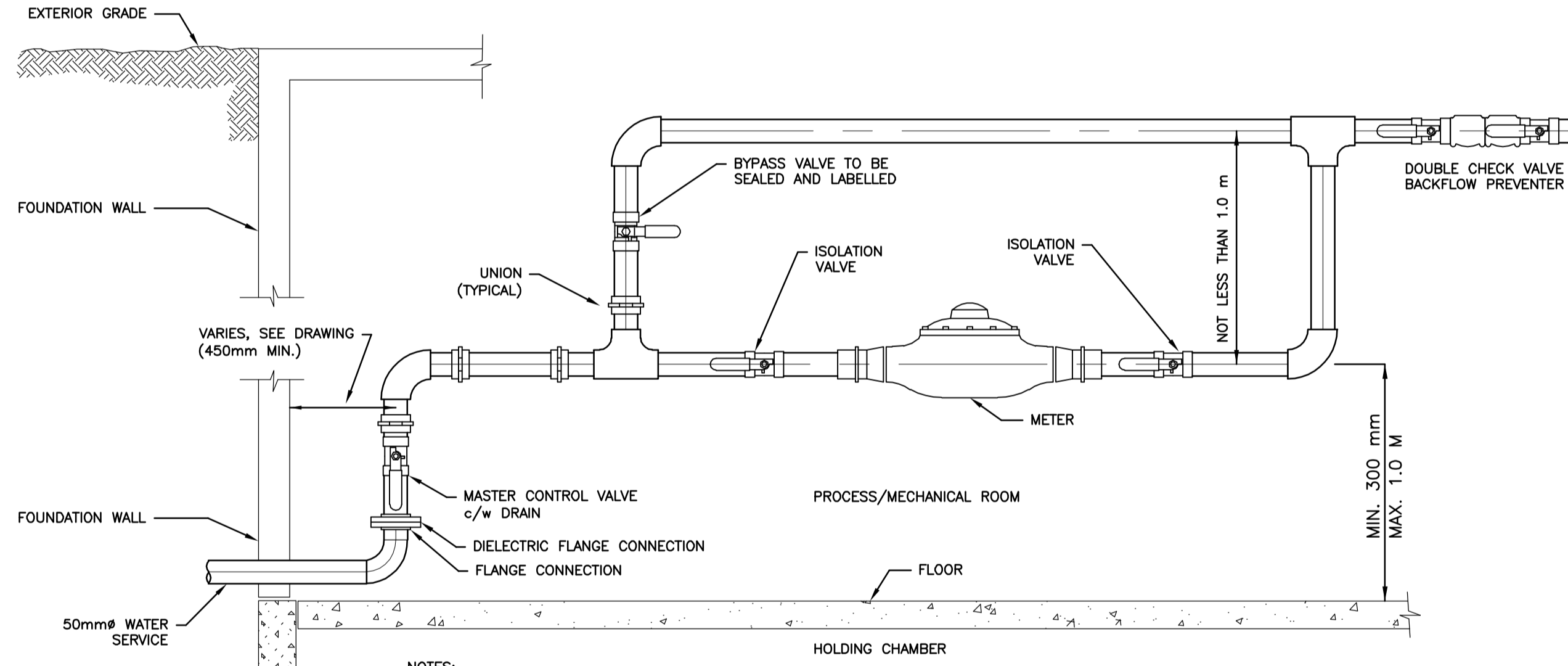
3 PIPE CLEVIS HANGER (LOWER ATTACHMENT) DETAIL
M0002 | M0004 NTS



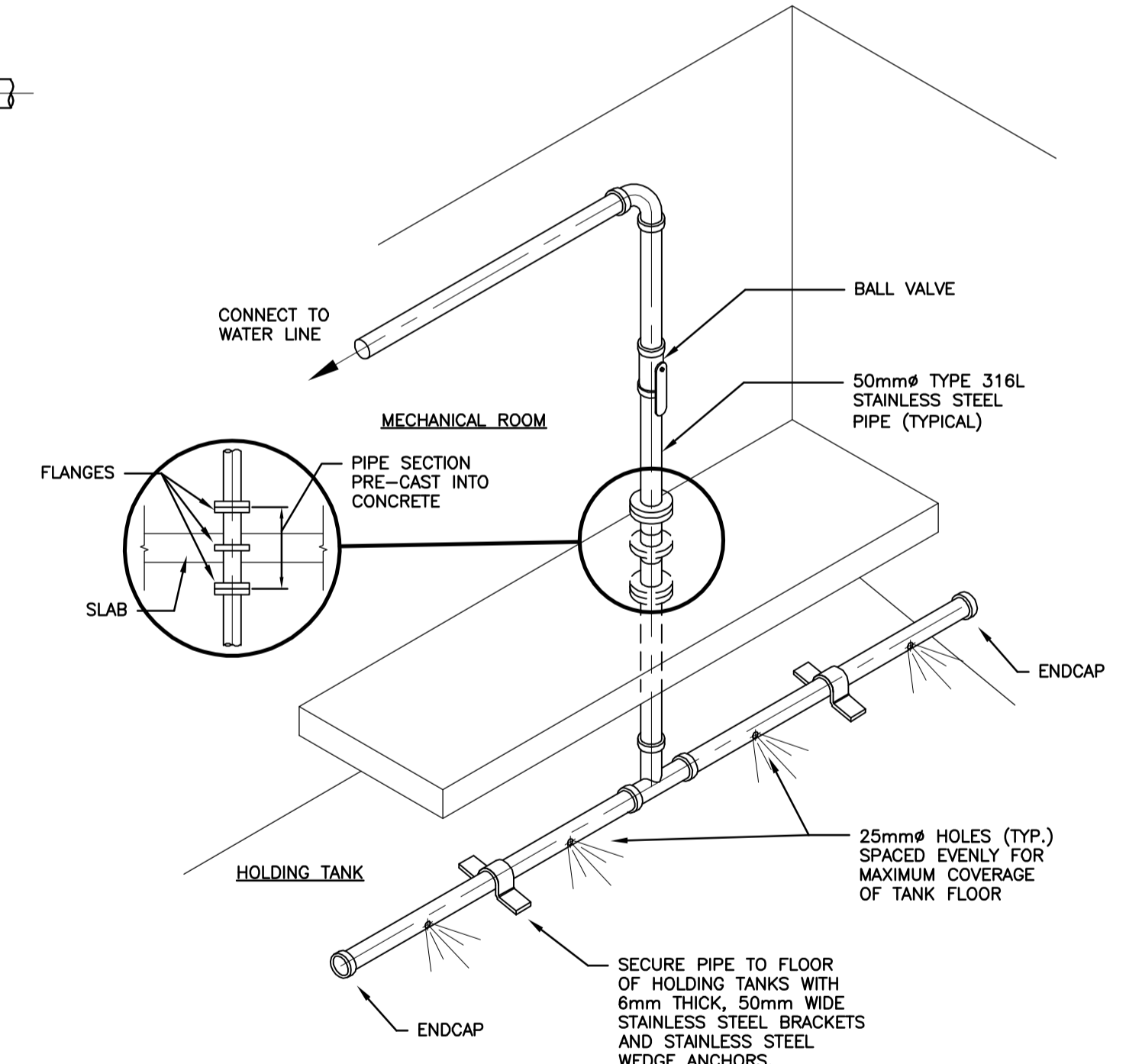
4 HYDRONIC CIRCULATING PUMP DETAIL
M0002 | M0004 NTS



5 FLOOR DRAIN TRAP PRIMER DETAIL
M0002 | M0004 NTS



6 WATER SERVICE ENTRY DETAIL
M0002 | M0004 NTS



7 HOLDING TANK FLUSHING PIPE DETAIL
M0002 | M0004 NTS

- NOTES:**
1. PIPING ON EACH SIDE OF METER MUST BE ADEQUATELY SUPPORTED TO THE SATISFACTION OF THE CONTRACT ADMINISTRATOR.
 2. PIPING FOR METER MUST BE ON A HORIZONTAL PLANE.
 3. MINIMUM DISTANCE OF 300mm BETWEEN ANY WALL AND A METER OR METER TREE.
 4. VALVES ARE REQUIRED ADJACENT TO METERS.
 5. THE AREA FOR 600mm IN FRONT OF THE METER SHALL BE FREE OF OBSTRUCTION TO ALLOW FOR CONVENIENT READING AND SERVICING OF THE METER.
 6. METERS MUST BE INSTALLED IN THE MECHANICAL ROOM AND WITHIN REASONABLE DISTANCE OF A FLOOR DRAIN. METER LOCATIONS MUST BE APPROVED BY THE WATERWORKS DIVISION.
 7. EXCEPT WHERE NOTED, ALL FITTINGS AND PIPE ARE TO BE SOLDERED COPPER.
 8. ALL VALVES SHOWN SHALL BE FULL PORT BALL VALVES.
 9. AN APPROVED BACKFLOW PREVENTION ASSEMBLY SHALL BE INSTALLED IMMEDIATELY AFTER THE WATER METER SETTING.

LOCATION APPROVED UNDERGROUND STRUCTURES

SUPV. U/G STRUCTURES COMMITTEE DATE _____

NOTE:
LOCATION OF UNDERGROUND STRUCTURES AS SHOWN ARE BASED ON THE BEST INFORMATION AVAILABLE BUT NO GUARANTEE IS GIVEN THAT ALL EXISTING UTILITIES ARE SHOWN OR THAT THE GIVEN LOCATIONS ARE EXACT. CONFIRMATION OF EXISTENCE AND EXACT LOCATION OF ALL SERVICES MUST BE OBTAINED FROM THE INDIVIDUAL UTILITIES BEFORE PROCEEDING WITH CONSTRUCTION.

B.M. ELEV.			
DESIGNED BY	L.W.	CHECKED BY	A.B.
DRAWN BY	J.L.T.	APPROVED BY	A.B.
HOR. SCALE:	AS NOTED	RELEASED FOR CONSTRUCTION:	DATE
VERTICAL:		DATE	09.11.13
A ISSUED FOR TENDER	10.02.16	L.W.	
NO. REVISIONS		DATE	BY

Stantec Consulting Ltd.
905 Waverley Street, Winnipeg, Manitoba
Tel 204-489-5900 Fax 204-453-9012

ENGINEER'S SEAL

DESIGNED BY: L.W. | CHECKED BY: A.B.
DRAWN BY: J.L.T. | APPROVED BY: A.B.
HOR. SCALE: AS NOTED | RELEASED FOR CONSTRUCTION: DATE
VERTICAL: DATE

BID OPPORTUNITY NO. 822-2009

THE CITY OF WINNIPEG
WATER AND WASTE DEPARTMENT

Winnipeg

NORTH END WATER POLLUTION CONTROL CENTRE
HAULED WASTEWATER RECEIVING FACILITIES
HAULED WASTEWATER RECEIVING BUILDING
MECHANICAL DETAILS

CITY DRAWING NUMBER: 1-0101A-M0004-001

SHEET 1 OF 2

APECM
Certificate of Authorization
Stantec Consulting Ltd.
No. 1301 Date: _____