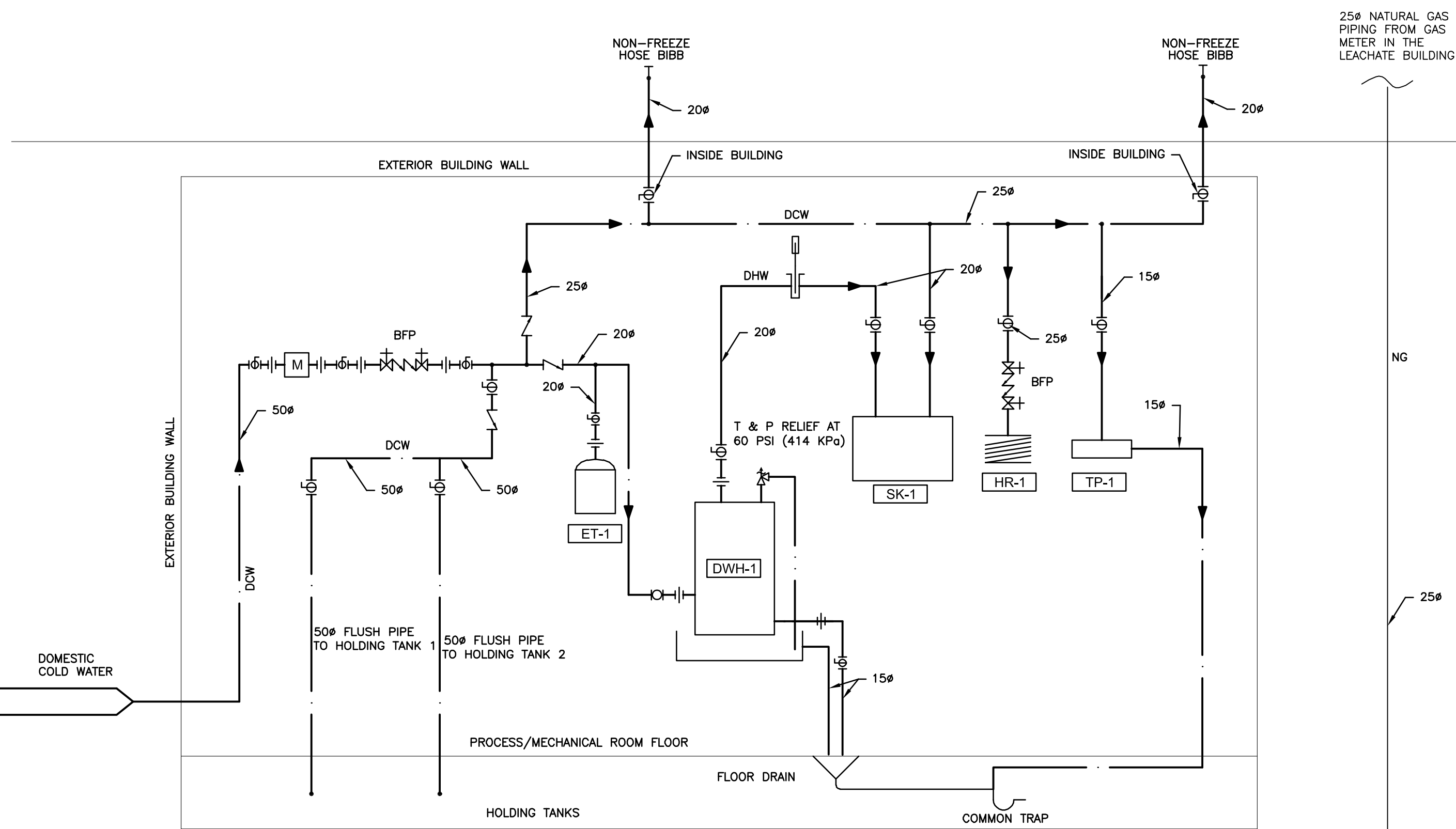
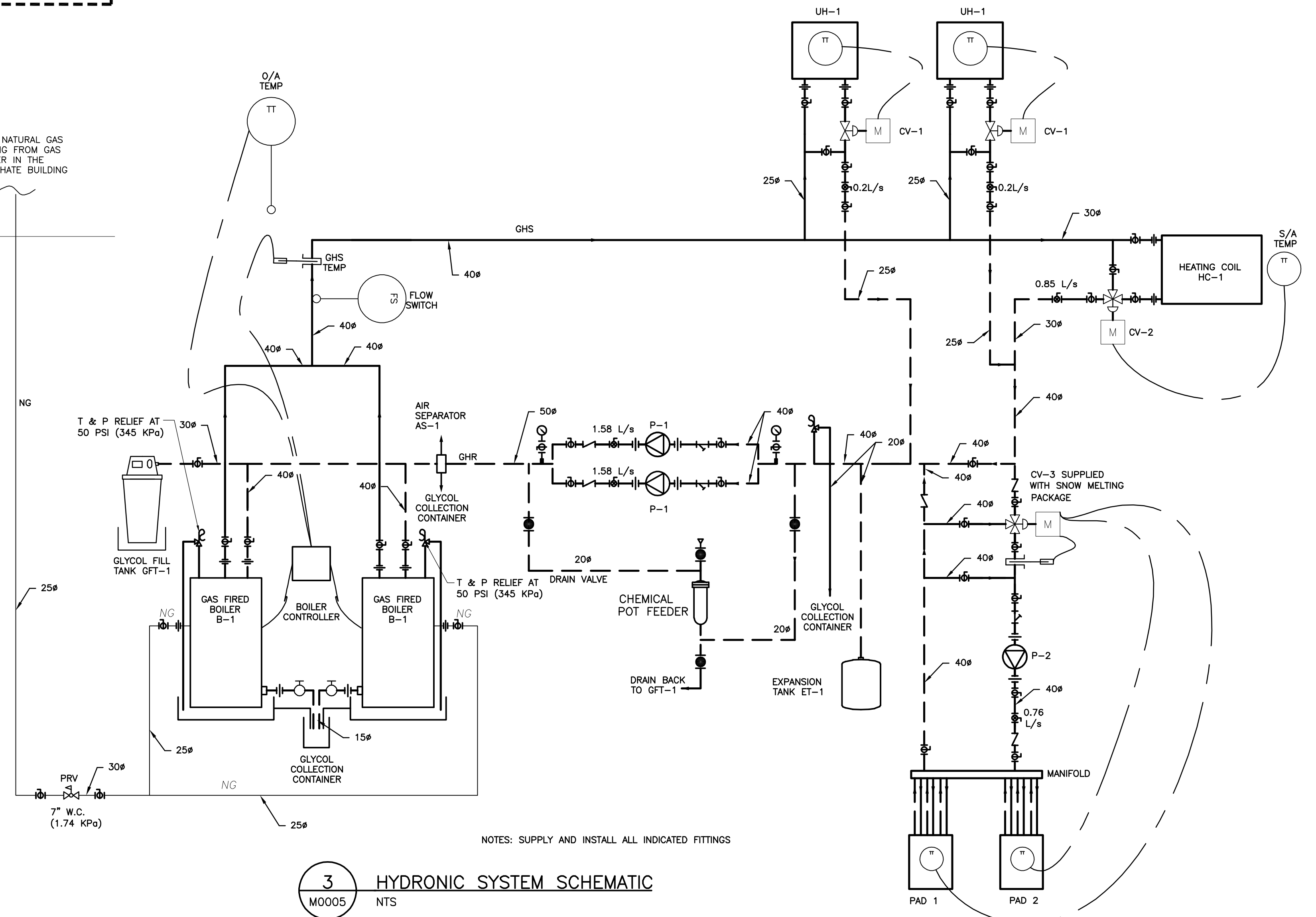


1 HEAT RECOVERY VENTILATOR SYSTEM SCHEMATIC
M0005 NTS



NOTES: SUPPLY AND INSTALL ALL INDICATED FITTINGS

2 DOMESTIC WATER SYSTEM SCHEMATIC
M0005 NTS



NOTES: SUPPLY AND INSTALL ALL INDICATED FITTINGS

3 HYDRONIC SYSTEM SCHEMATIC
M0005 NTS

LOCATION APPROVED UNDERGROUND STRUCTURES

SUPV. U/G STRUCTURES COMMITTEE DATE

NOTE: LOCATION OF UNDERGROUND STRUCTURES AS SHOWN ARE BASED ON THE BEST INFORMATION AVAILABLE BUT NO GUARANTEE IS GIVEN THAT ALL EXISTING UTILITIES ARE SHOWN OR THAT THE GIVEN LOCATIONS ARE EXACT. CONFIRMATION OF EXISTENCE AND EXACT LOCATION OF ALL SERVICES MUST BE OBTAINED FROM THE INDIVIDUAL UTILITIES BEFORE PROCEEDING WITH CONSTRUCTION.

B.M. ELEV.			
A	ISSUED FOR TENDER	10.02.16	L.W.
NO.	REVISIONS	DATE	BY

Stantec Consulting Ltd.
905 Waverley Street, Winnipeg, Manitoba
Tel 204-489-5900 Fax 204-453-9012

DESIGNED BY	L.W.	CHECKED BY	A.B.
DRAWN BY	J.L.T.	APPROVED BY	A.B.
HOR. SCALE:	AS NOTED	RELEASED FOR CONSTRUCTION:	
VERTICAL:		DATE	
		DATE	09.11.13

ENGINEER'S SEAL

THE CITY OF WINNIPEG
WATER AND WASTE DEPARTMENT

NORTH END WATER POLLUTION CONTROL FACILITIES
HAULED WASTEWATER RECEIVING FACILITIES
HAULED WASTEWATER RECEIVING BUILDING
MECHANICAL SYSTEM SCHEMATICS

BID OPPORTUNITY NO.	822-2009	CITY DRAWING NUMBER	1-0101A-M0005-001	SHEET	1	OF	1
---------------------	----------	---------------------	-------------------	-------	---	----	---

APECM
Certificate of Authorization
Stantec Consulting Ltd.
No. 1301 Date: