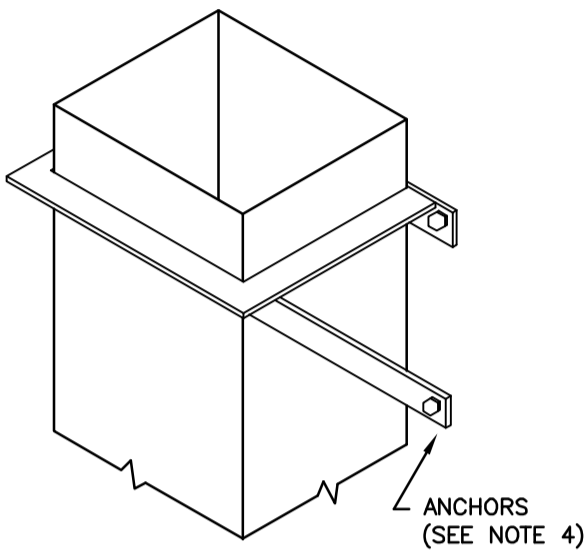


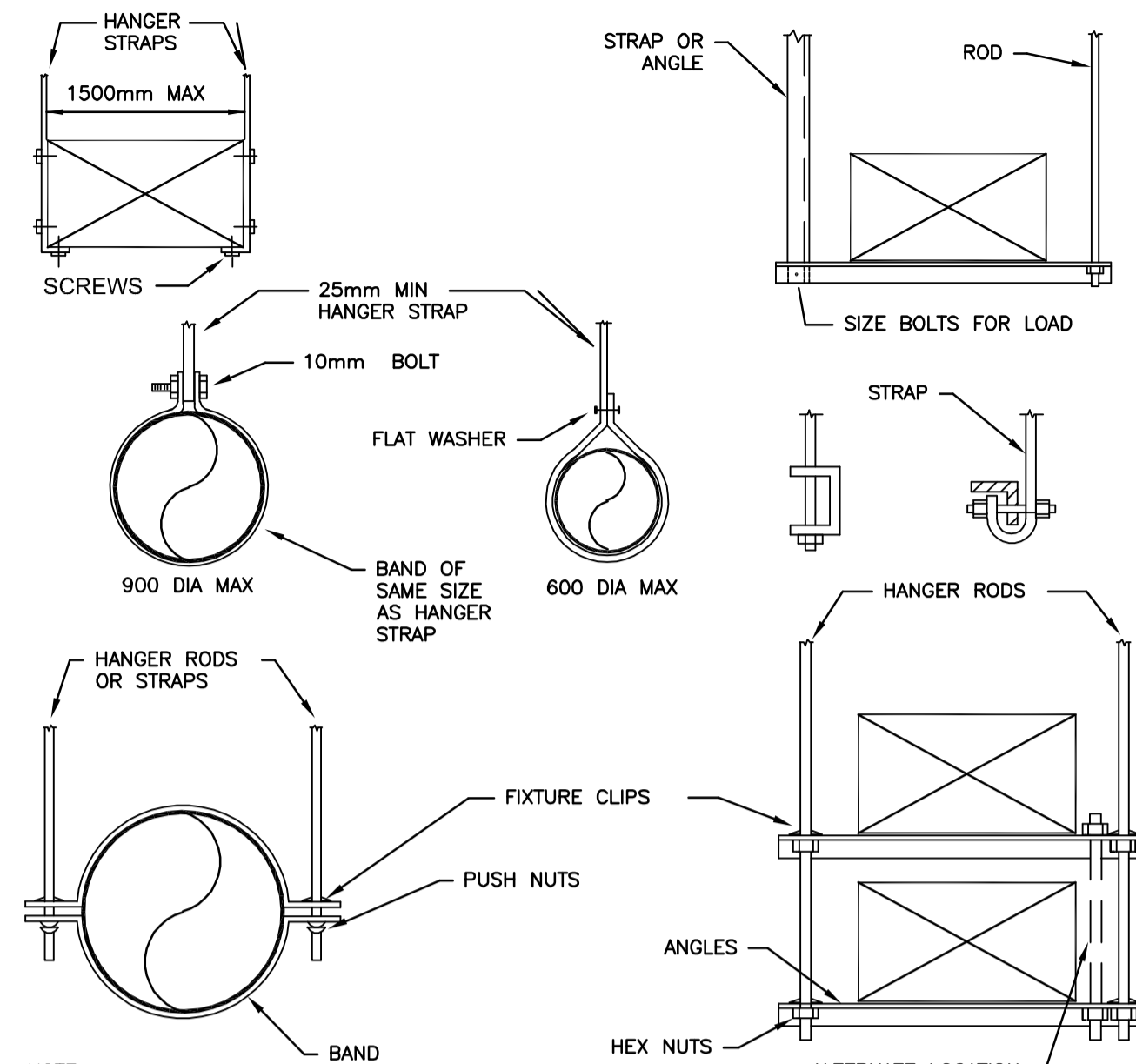
TYPICAL SIZING:
 DUCT SIZE: 25x25x3, 30x30x3
 ANGLE: 900x450, 1200x750
ANGLE MATERIALS:
 TYPE 316L STAINLESS STEEL



- NOTE:**
- BRACKETS ARE SIZED FOR 3600mm OF DUCT MAX.
 - LOCATE DUCTS AGAINST WALL OR MAX OF 50mm AWAY FROM WALL.
 - EACH WALL ANCHOR SHALL SATISFY THE FOLLOWING:
 - TENSILE LOAD = 9 x DUCT WEIGHT; SAFETY FACTOR OF 4
 - SHEAR LOAD = 15 x DUCT WEIGHT; SAFETY FACTOR OF 4
 - SECURE WITH STAINLESS STEEL ANCHORS, BOLTS, NUTS, AND WASHERS.

9 DUCT SUPPORT FROM WALL DETAIL

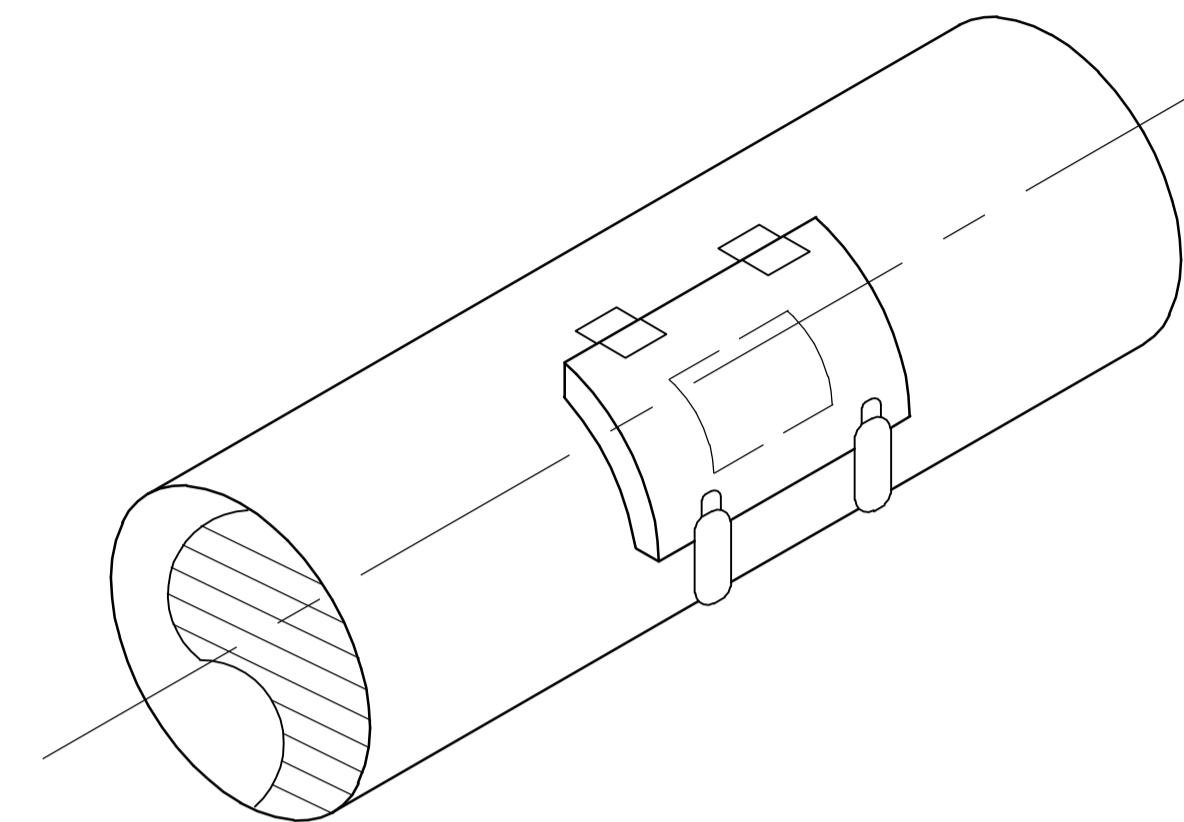
M0008 M0010 NTS



- NOTE:**
- REINFORCEMENT MAY BE USED FOR ATTACHMENT IF IT QUALIFIES FOR BOTH DUTIES.
 - DO NOT EXCEED ALLOWABLE LOAD LIMITS.
 - HANGER AND SUPPORT MATERIAL TO BE STAINLESS STEEL.

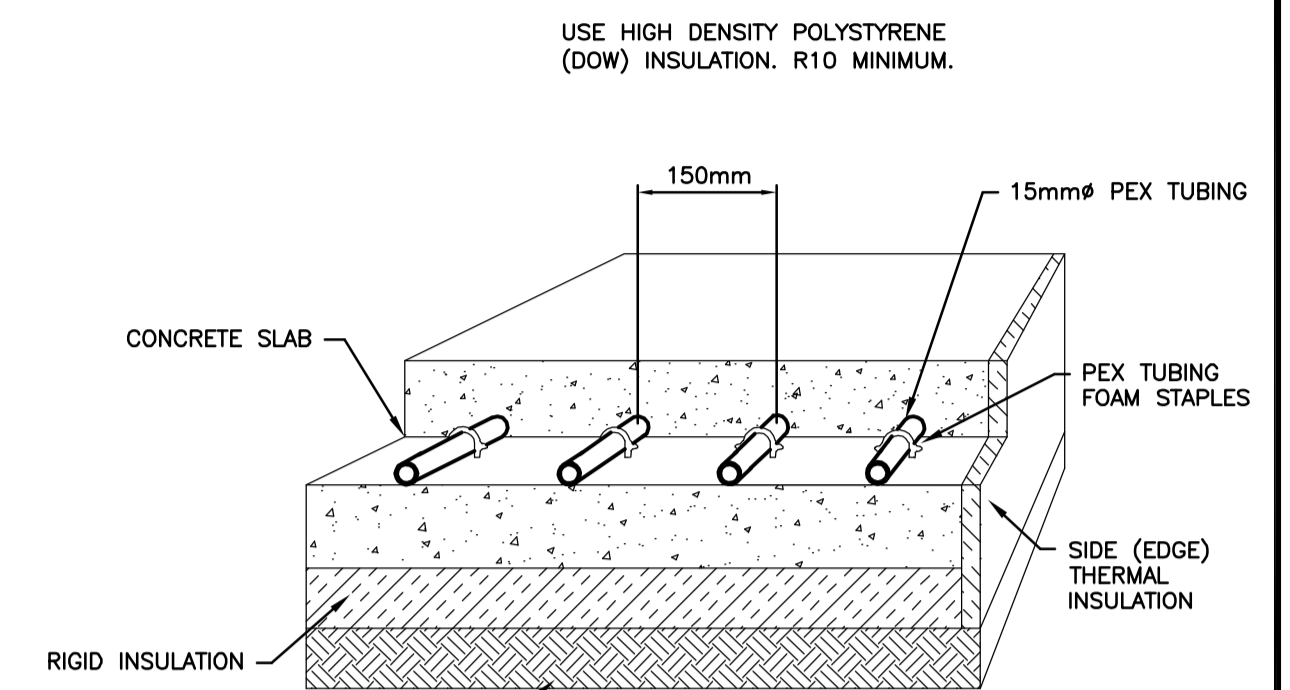
10 DUCT HANGER DETAIL

M0008 M0010 NTS



11 ACCESS DOOR (ROUND DUCT) DETAIL

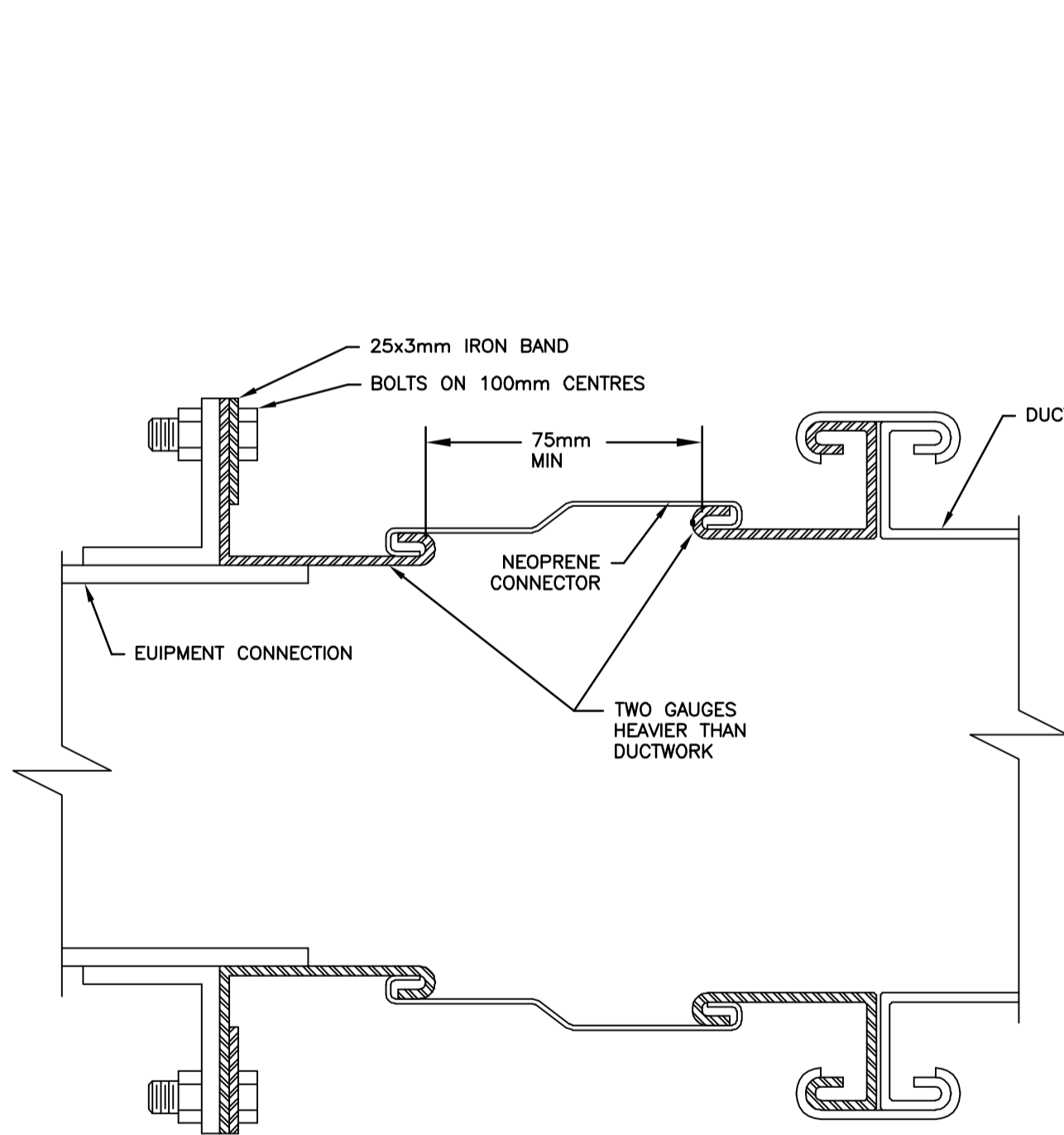
M0008 M0010 NTS



NOTE: FOR INDICATION ONLY

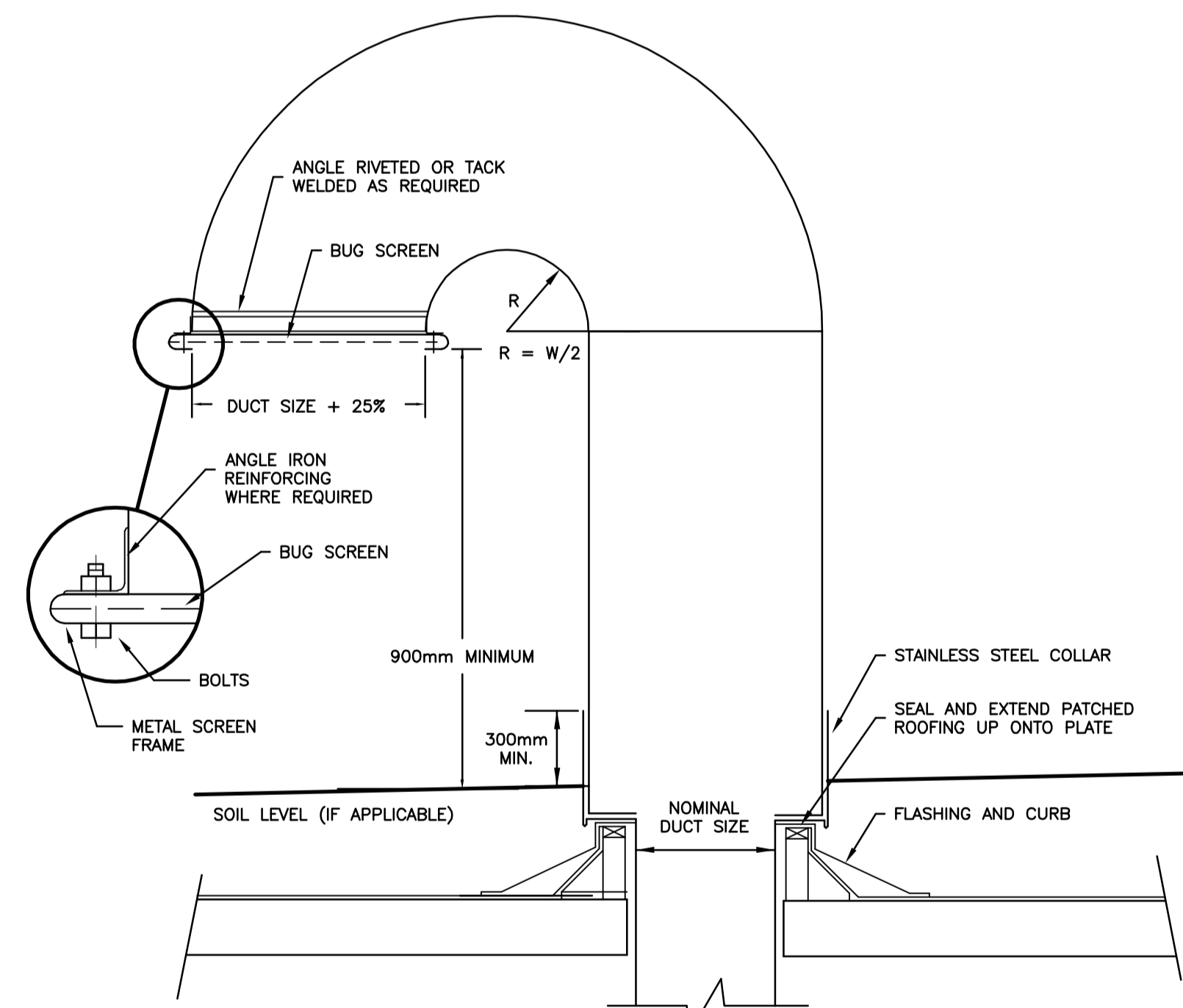
12 IN-SLAB HEATING DETAIL

M0008 M0010 NTS



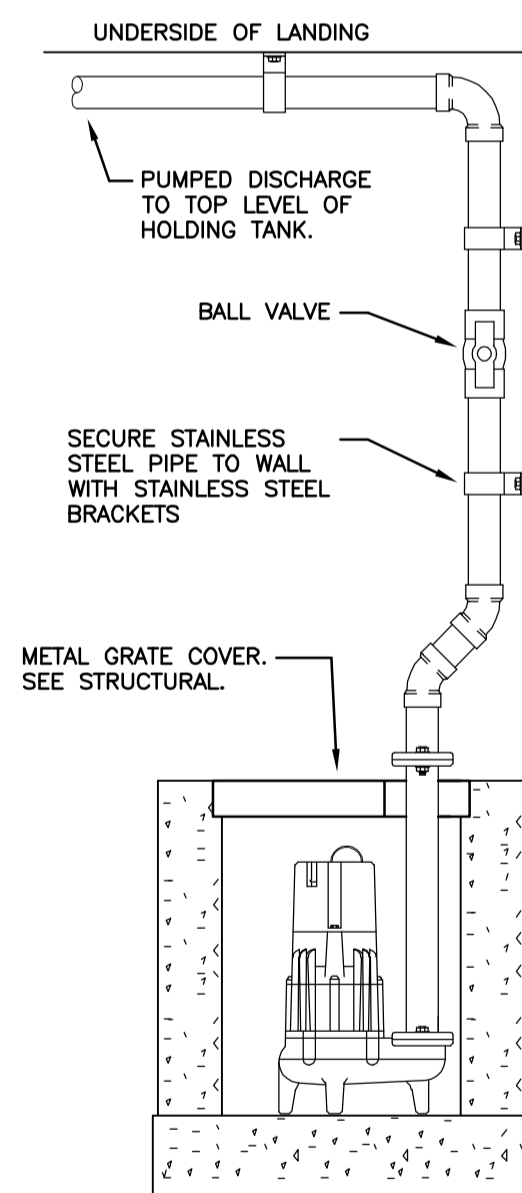
13 FLEXIBLE DUCT CONNECTION DETAIL

M0008 M0010 NTS



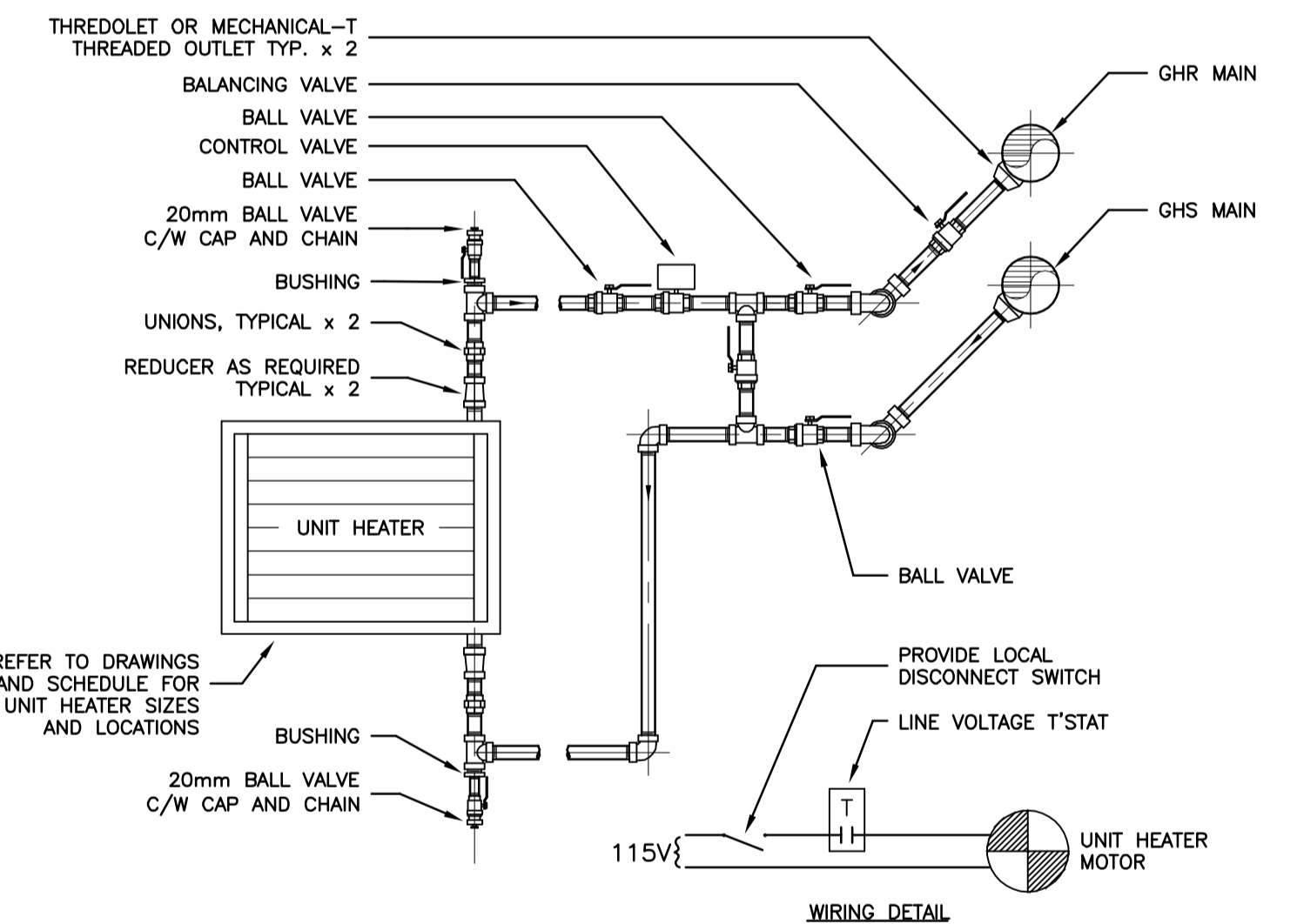
14 TYPICAL GOOSENECK DETAIL

M0008 M0010 NTS



15 SUMP PUMP DETAIL

M0008 M0010 NTS



- NOTES:**
- REFER TO HYDRONIC SYSTEM SCHEMATIC FOR PIPE SIZES.
 - REFER TO UNIT HEATER SHOP DRAWINGS FOR SIZE OF EQUIPMENT CONNECTION.

16 TYPICAL HYDRONIC UNIT HEATER DETAIL

M0008 M0010 NTS

V:\1170\winnipeg\11701830\drawings\04_mechanical\sheet_files\mechanical\liquid_waste_e_a\1170_0502.dwg 2009-11-24 09:28AM By: jiang



LOCATION APPROVED UNDERGROUND STRUCTURES			
SUPV. U/G STRUCTURES COMMITTEE	DATE		
NOTE: LOCATION OF UNDERGROUND STRUCTURES AS SHOWN ARE BASED ON THE BEST INFORMATION AVAILABLE BUT NO GUARANTEE IS GIVEN THAT ALL EXISTING UTILITIES ARE SHOWN OR THAT THE GIVEN LOCATIONS ARE EXACT. CONFIRMATION OF EXISTENCE AND EXACT LOCATION OF ALL SERVICES MUST BE OBTAINED FROM THE INDIVIDUAL UTILITIES BEFORE PROCEEDING WITH CONSTRUCTION.			
A	ISSUED FOR TENDER	10.02.16	L.W.
NO.	REVISIONS	DATE	BY

B.M. ELEV.			
DESIGNED BY	L.W.	CHECKED BY	A.B.
DRAWN BY	J.L.T.	APPROVED BY	A.B.
HOR. SCALE:	AS NOTED	RELEASED FOR CONSTRUCTION:	
VERTICAL:		DATE	09.11.13

Stantec Consulting Ltd.
 905 Waverley Street, Winnipeg, Manitoba
 Tel 204-489-5900 Fax 204-453-9012

DESIGNED BY: L.W. CHECKED BY: A.B.
 DRAWN BY: J.L.T. APPROVED BY: A.B.
 HOR. SCALE: AS NOTED
 VERTICAL: DATE: 09.11.13

ENGINEER'S SEAL
 BID OPPORTUNITY NO. 822-2009

THE CITY OF WINNIPEG
 WATER AND WASTE DEPARTMENT

Winnipeg

NORTH END WATER POLLUTION CONTROL FACILITIES
 HAULED WASTEWATER RECEIVING FACILITIES
 LEACHATE RECEIVING BUILDING
 MECHANICAL DETAILS

CITY DRAWING NUMBER: 1-0101A-M0010-002
 SHEET 2 OF 2