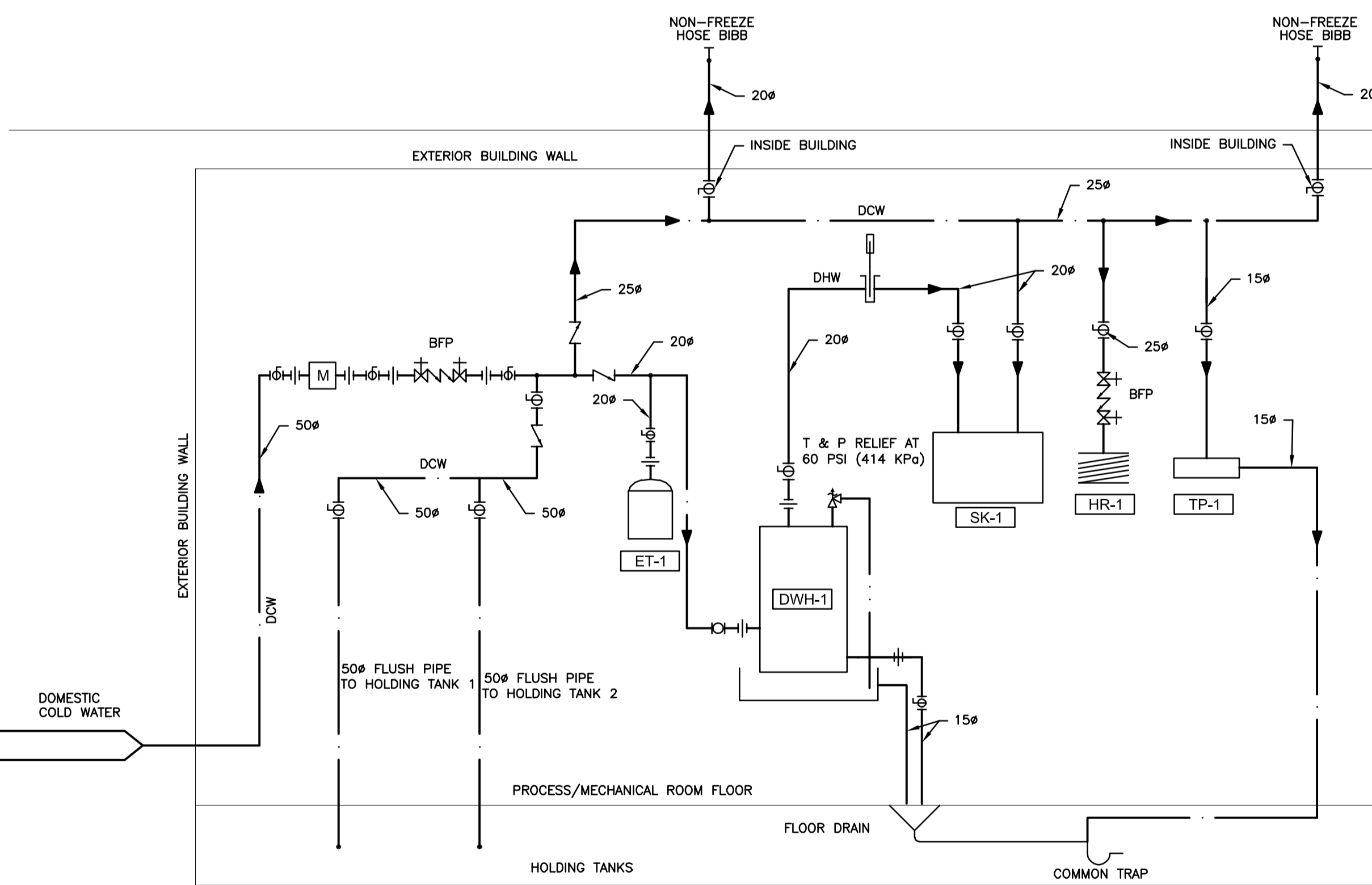
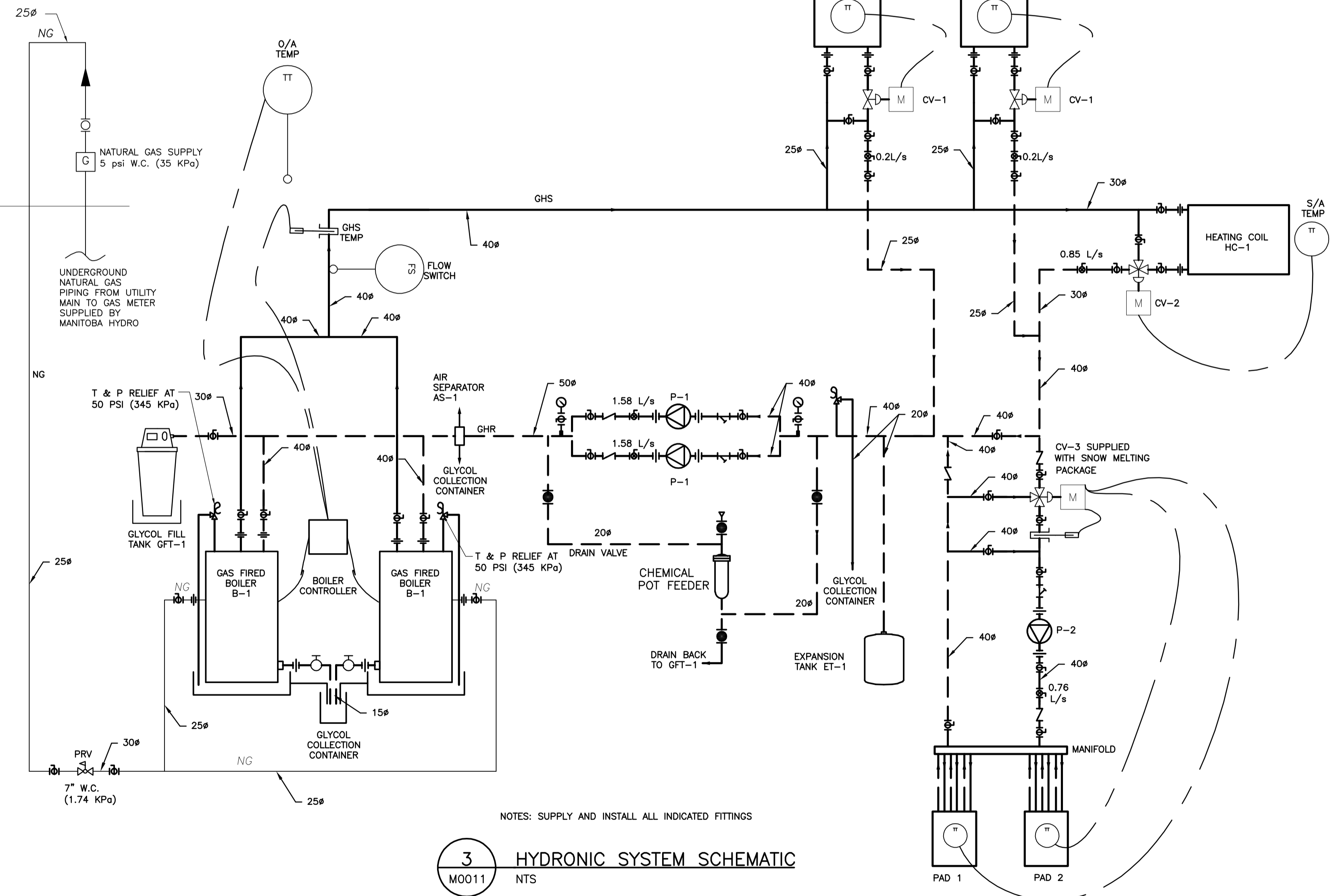


1 HEAT RECOVERY VENTILATOR SYSTEM SCHEMATIC
M0011 NTS



2 DOMESTIC WATER SYSTEM SCHEMATIC
M0011 NTS



3 HYDRONIC SYSTEM SCHEMATIC
M0011 NTS

NOTES: SUPPLY AND INSTALL ALL INDICATED FITTINGS

NOTES: SUPPLY AND INSTALL ALL INDICATED FITTINGS

LOCATION APPROVED UNDERGROUND STRUCTURES

SUPV. U/G STRUCTURES COMMITTEE DATE

NOTE: LOCATION OF UNDERGROUND STRUCTURES AS SHOWN ARE BASED ON THE BEST INFORMATION AVAILABLE BUT NO GUARANTEE IS GIVEN THAT ALL EXISTING UTILITIES ARE SHOWN OR THAT THE GIVEN LOCATIONS ARE EXACT. CONFIRMATION OF EXISTENCE AND EXACT LOCATION OF ALL SERVICES MUST BE OBTAINED FROM THE INDIVIDUAL UTILITIES BEFORE PROCEEDING WITH CONSTRUCTION.

B.M. ELEV.			
A	ISSUED FOR TENDER	10.02.16	L.W.
NO. REVISIONS		DATE	BY

Stantec Consulting Ltd. 905 Waverley Street, Winnipeg, Manitoba Tel 204-489-5900 Fax 204-453-9012		ENGINEER'S SEAL
DESIGNED BY	L.W.	CHECKED BY
DRAWN BY	J.L.T.	APPROVED BY
HOR. SCALE:	AS NOTED	RELEASED FOR CONSTRUCTION:
VERTICAL:		DATE
DATE	09.11.13	

BID OPPORTUNITY NO.	822-2009
---------------------	----------

THE CITY OF WINNIPEG
 WATER AND WASTE DEPARTMENT
NORTH END WATER POLLUTION CONTROL FACILITIES
 HAULED WASTEWATER RECEIVING FACILITIES
 LEACHATE RECEIVING BUILDING
 MECHANICAL SYSTEM SCHEMATICS
 CITY DRAWING NUMBER: 1-0101A-M0011-001
 SHEET 1 OF 1



V:\1170\wpc\11701830\dwg\11701830.dwg (V:_working\sheet_files\mechanical\wpc\11701830.dwg)
 2009-11-24 14:09:09 By: jll