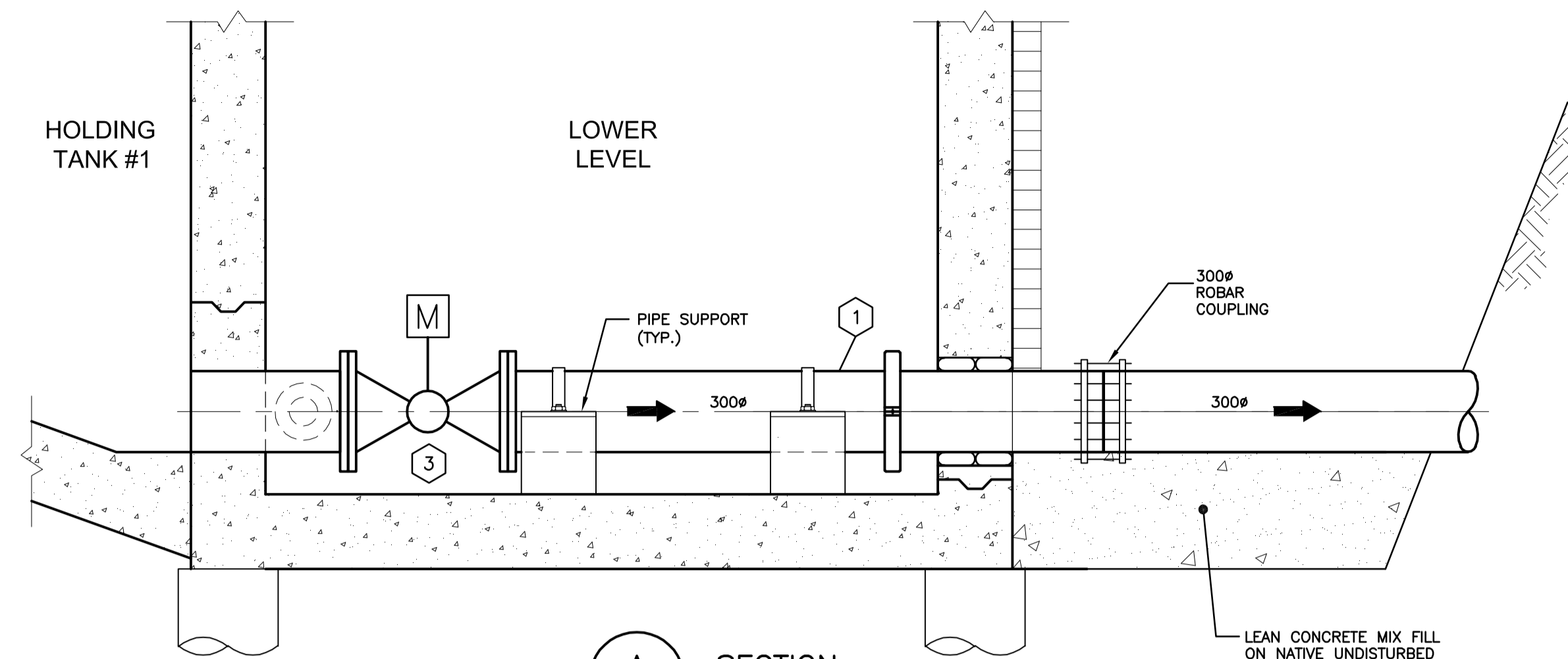
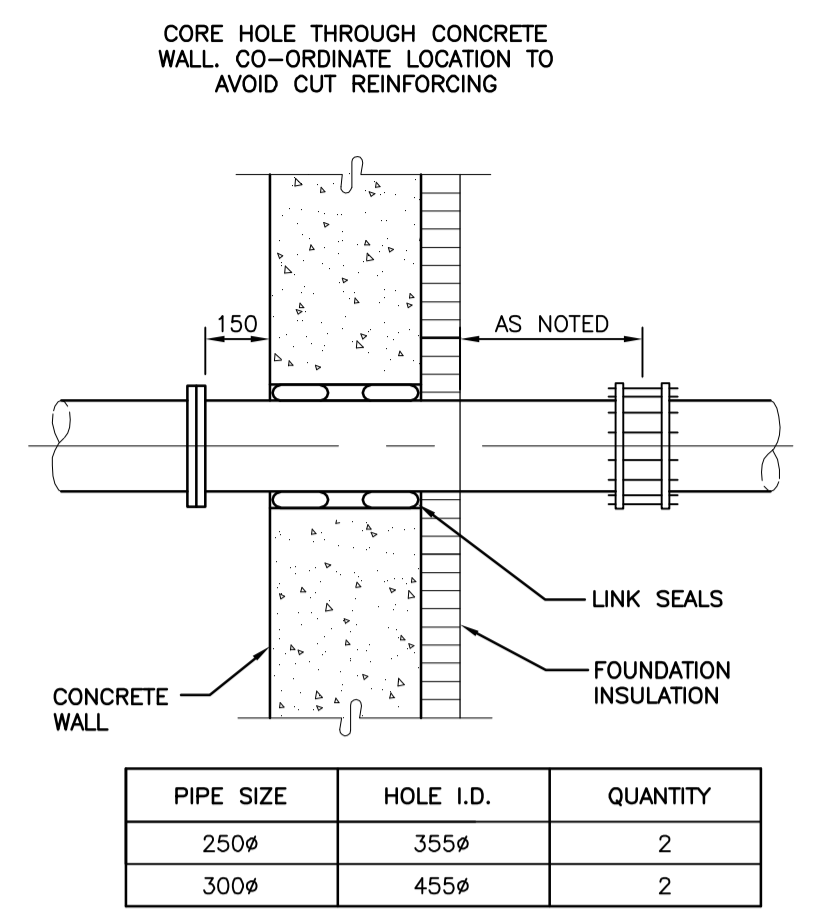


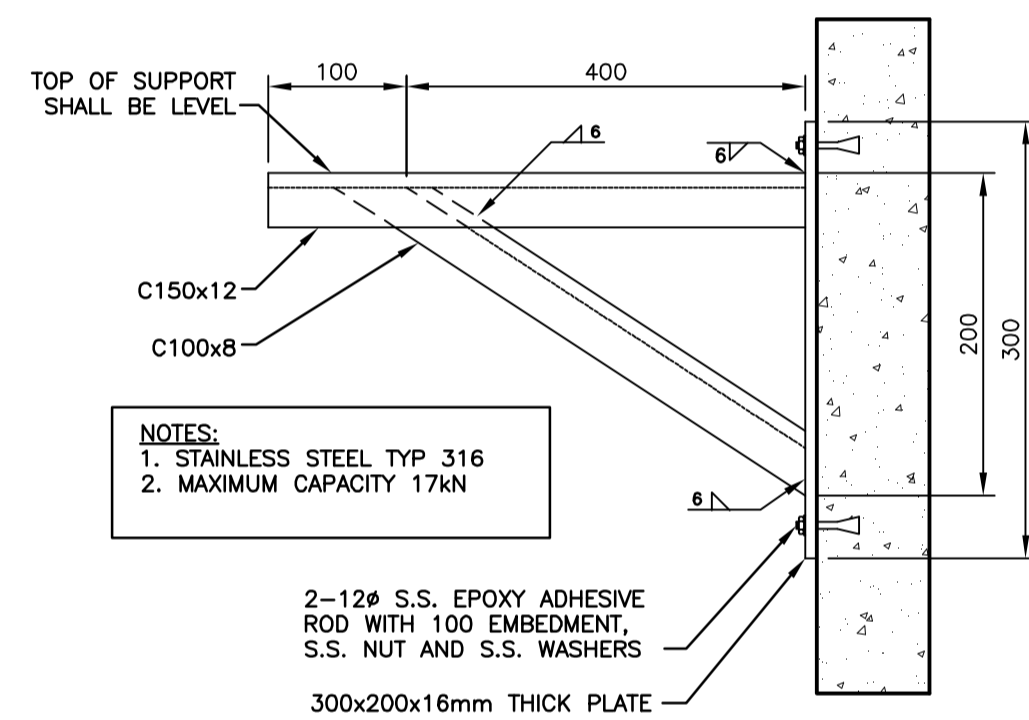
1 PLAN
P0003 1:20



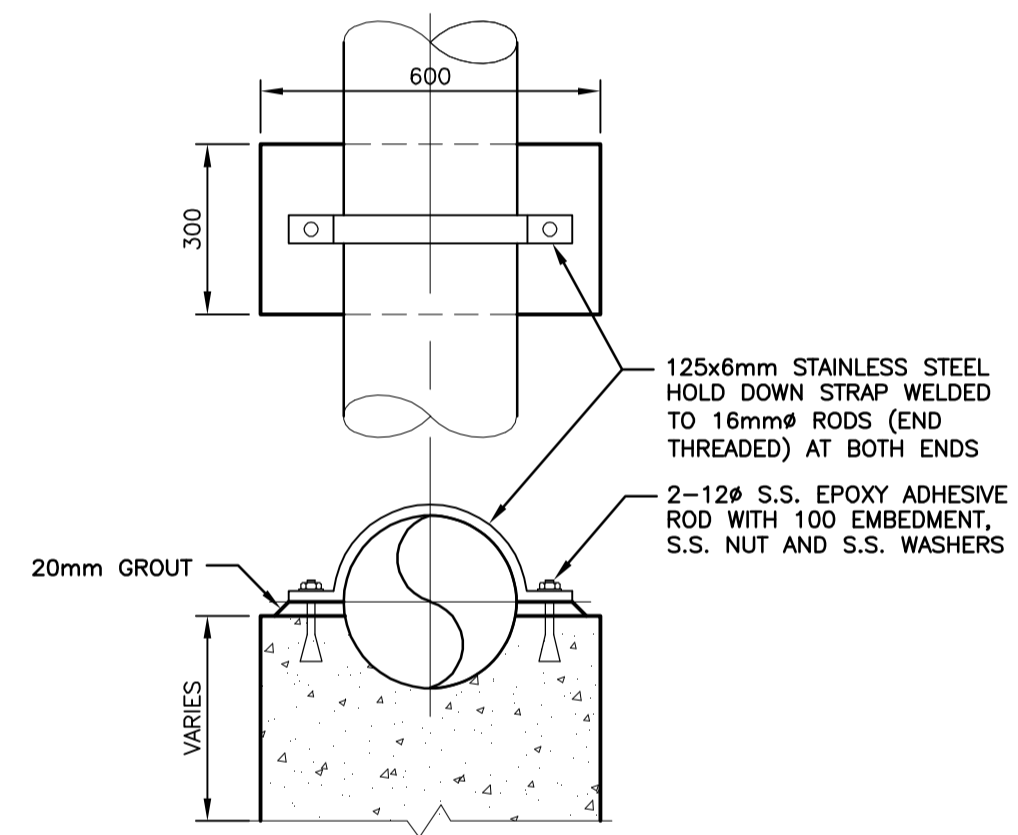
A SECTION
P0003 1:20



1 TYPICAL DETAIL
P0003 N.T.S.



TYPICAL PIPE SUPPORT DETAILS
N.T.S.



2 TYPICAL DETAIL
P0003 1:20

- NOTE:
- 1 ALL PIPE TO BE IPS TYPE 316L STAINLESS STEEL -SCHEDULE 10S
 - 2 VICTAULIC STEEL RIGID COUPLING
 - 3 ELECTRIC ACTUATED BALL VALVE
 - 4 CONCRETE PIPE SUPPORT
 - 5 LEAN MIX CONCRETE FILL REFER TO STRUCTURAL DRAWING S0007
 - 6 ALUMINUM BAYCO FITTING C/W CAP

V:\1170\weld\11701830\dwg\11701830.dwg (Metric) (A) - working sheet - file process\wmpack\11830-102-mm-1p.dwg
 2010-02-16 08:53:44 By: t.mccall

METRIC
WHOLE NUMBERS INDICATE MILLIMETRES
DECIMALIZED NUMBERS INDICATE METRES

APEGM
Certificate of Authorization
Stantec Consulting Ltd.
No. 1301 Date: _____

LOCATION APPROVED UNDERGROUND STRUCTURES		B.M. ELEV.	
SUPV. U/G STRUCTURES COMMITTEE	DATE		
NOTE: LOCATION OF UNDERGROUND STRUCTURES AS SHOWN ARE BASED ON THE BEST INFORMATION AVAILABLE BUT NO GUARANTEE IS GIVEN THAT ALL EXISTING UTILITIES ARE SHOWN OR THAT THE GIVEN LOCATIONS ARE EXACT. CONFIRMATION OF EXISTENCE AND EXACT LOCATION OF ALL SERVICES MUST BE OBTAINED FROM THE INDIVIDUAL UTILITIES BEFORE PROCEEDING WITH CONSTRUCTION.			
A	ISSUED FOR TENDER	10.02.16	A.H.B.
NO.	REVISIONS	DATE	BY

Stantec Consulting Ltd.
905 Waverley Street, Winnipeg, Manitoba
Tel 204-489-5900 Fax 204-453-9012

DESIGNED BY	A.H.B.	CHECKED BY	E.W.
DRAWN BY	K.R.	APPROVED BY	A.H.B.
HOR. SCALE:	AS NOTED	RELEASED FOR CONSTRUCTION:	
VERTICAL:		DATE	09.09.21

ENGINEER'S SEAL

TENDER NO.	822-2009
------------	----------

THE CITY OF WINNIPEG
WATER AND WASTE DEPARTMENT

Winnipeg

NORTH END WATER POLLUTION CONTROL CENTRE
HAULED WASTEWATER RECEIVING FACILITIES
HAULED WASTEWATER RECEIVING BUILDING
LOWER FLOOR PLAN AND DETAILS

CITY DRAWING NUMBER	I-OIOIA-P0003-001	SHEET OF	3 OF 8
---------------------	-------------------	----------	--------