

- NOTE:
- ALL PIPE TO BE IPS TYPE 316L STAINLESS STEEL
 - MANUFACTURED SPOOL PIECE
 - LEAN MIX CONCRETE FILL REFER TO STRUCTURAL DRAWING S0006
 - VICTAULIC STEEL RIGID COUPLING

METRIC
 WHOLE NUMBERS INDICATE MILLIMETRES
 DECIMALIZED NUMBERS INDICATE METRES

APEGM
 Certificate of Authorization
 Stantec Consulting Ltd.
 No. 1301 Date: _____

LOCATION APPROVED UNDERGROUND STRUCTURES		B.M. ELEV.	
SUPV. U/G STRUCTURES COMMITTEE	DATE		
NOTE: LOCATION OF UNDERGROUND STRUCTURES AS SHOWN ARE BASED ON THE BEST INFORMATION AVAILABLE BUT NO GUARANTEE IS GIVEN THAT ALL EXISTING UTILITIES ARE SHOWN OR THAT THE GIVEN LOCATIONS ARE EXACT. CONFIRMATION OF EXISTENCE AND EXACT LOCATION OF ALL SERVICES MUST BE OBTAINED FROM THE INDIVIDUAL UTILITIES BEFORE PROCEEDING WITH CONSTRUCTION.			
A	ISSUED FOR TENDER	10.02.16	A.H.B.
NO.	REVISIONS	DATE	BY

Stantec Consulting Ltd.		ENGINEER'S SEAL	
905 Waverley Street, Winnipeg, Manitoba Tel 204-489-5900 Fax 204-453-9012			
DESIGNED BY	A.H.B.	CHECKED BY	E.W.
DRAWN BY	K.R.	APPROVED BY	A.H.B.
HOR. SCALE:	AS NOTED	RELEASED FOR CONSTRUCTION:	
VERTICAL:		DATE	
DATE 09.11.10		TENDER NO. 822-2009	

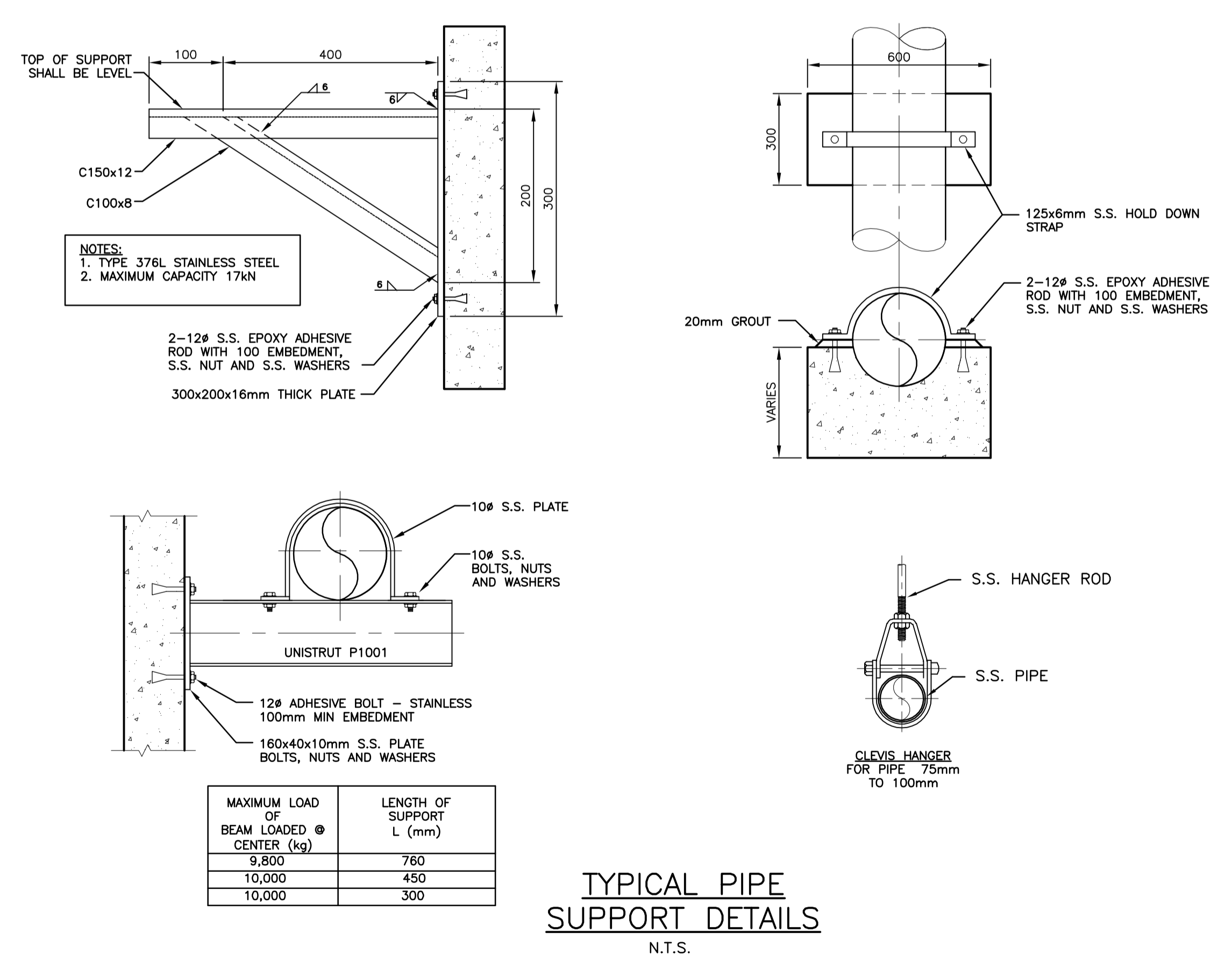
THE CITY OF WINNIPEG
 WATER AND WASTE DEPARTMENT

Winnipeg

NORTH END WATER POLLUTION CONTROL CENTRE
 HAULED WASTEWATER RECEIVING FACILITIES
LEACHATE RECEIVING BUILDING
 SAMPLE ROOM FLOOR PLAN AND SECTIONS

CITY DRAWING NUMBER: **I-0101A-P0005-001**

SHEET 5 OF 8



V:\1170\wpcad\11701830\wpcad\11701830.dwg (Metric) (A) - working sheet - file process (wpcad) 11/13/2009 - 10:46:49 AM
 2010-02-16 08:33AM By: j.mccall