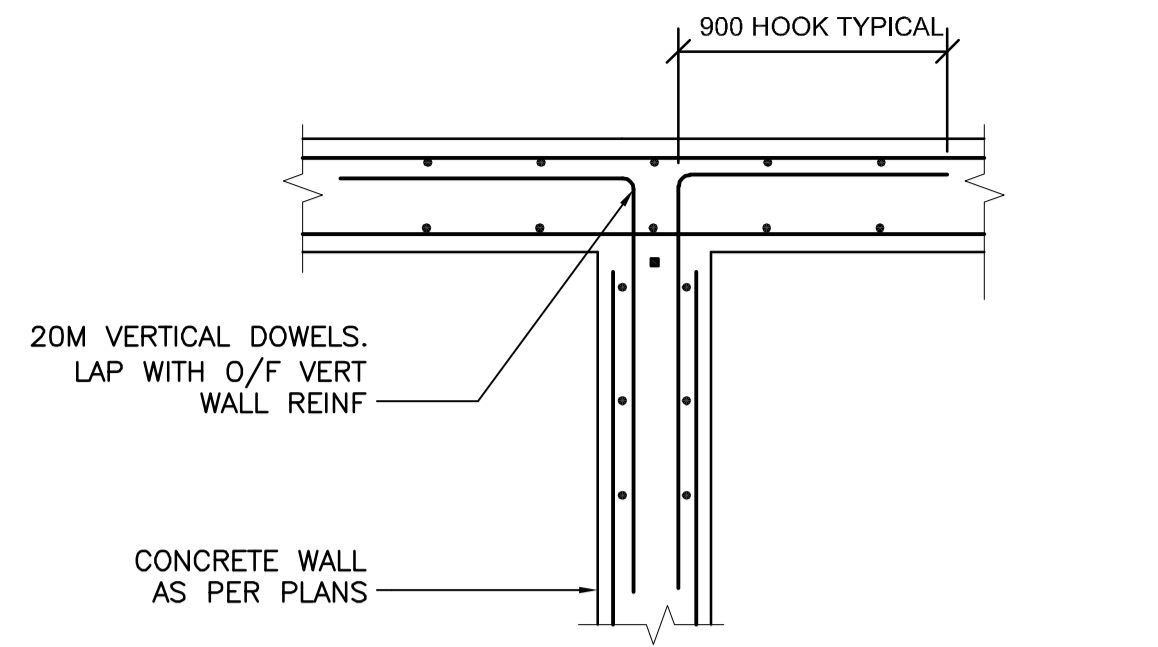
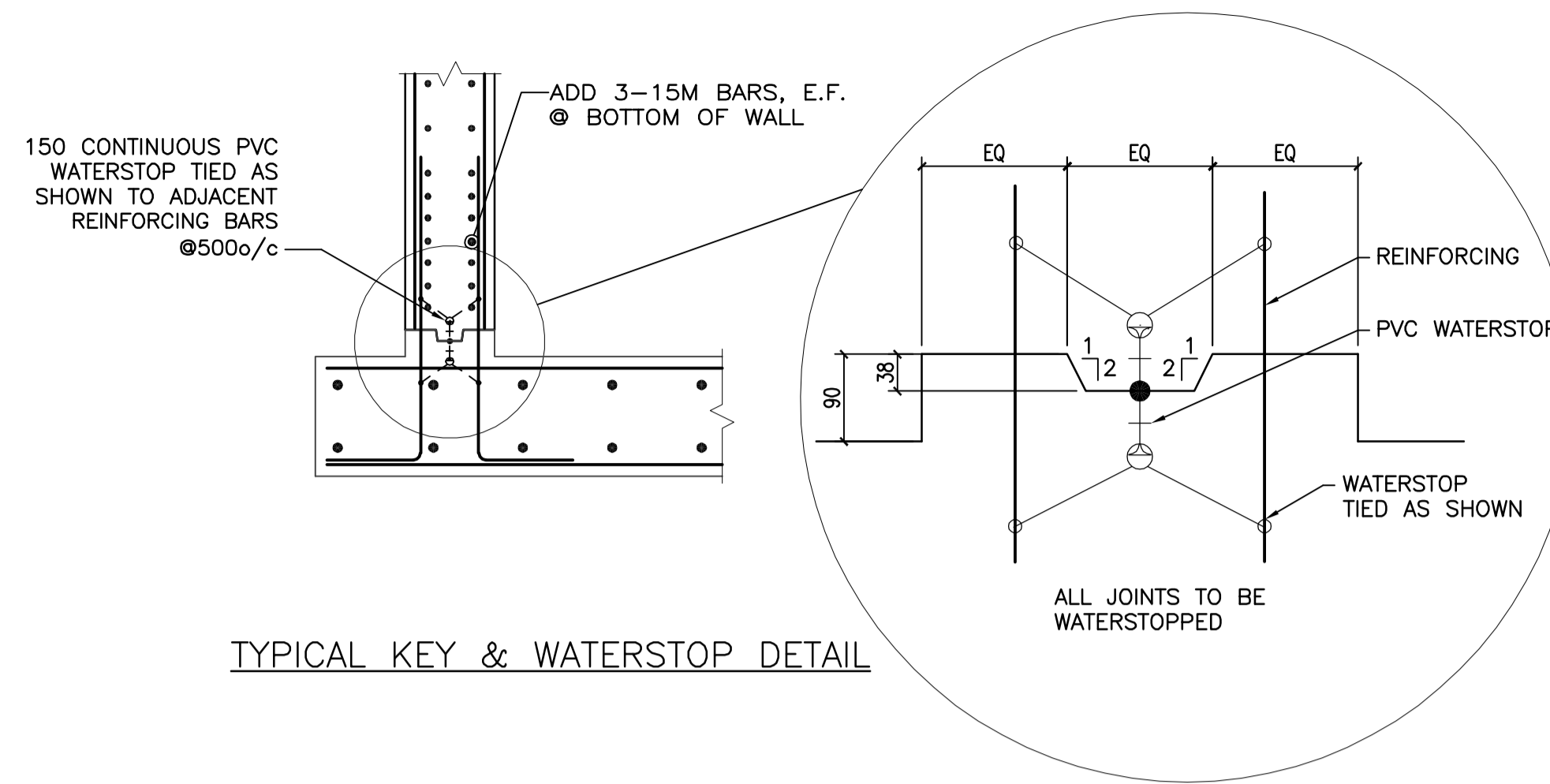


NOTE:
PROVIDE CORNER BARS WITH SAME SIZE AND SPACING OF WALL HORIZONTAL BARS, TYPICAL AT ALL WALL CORNERS, U/N

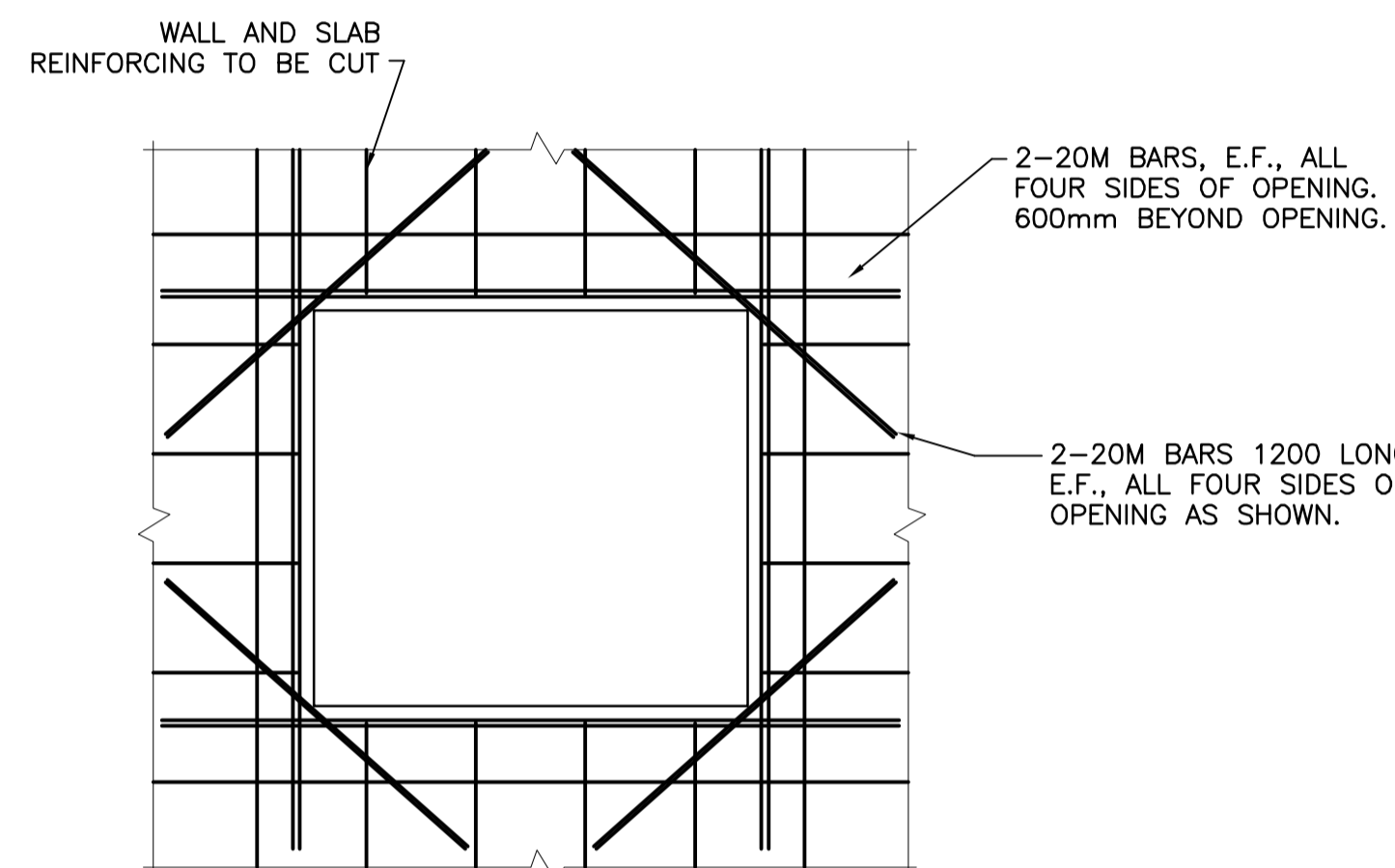
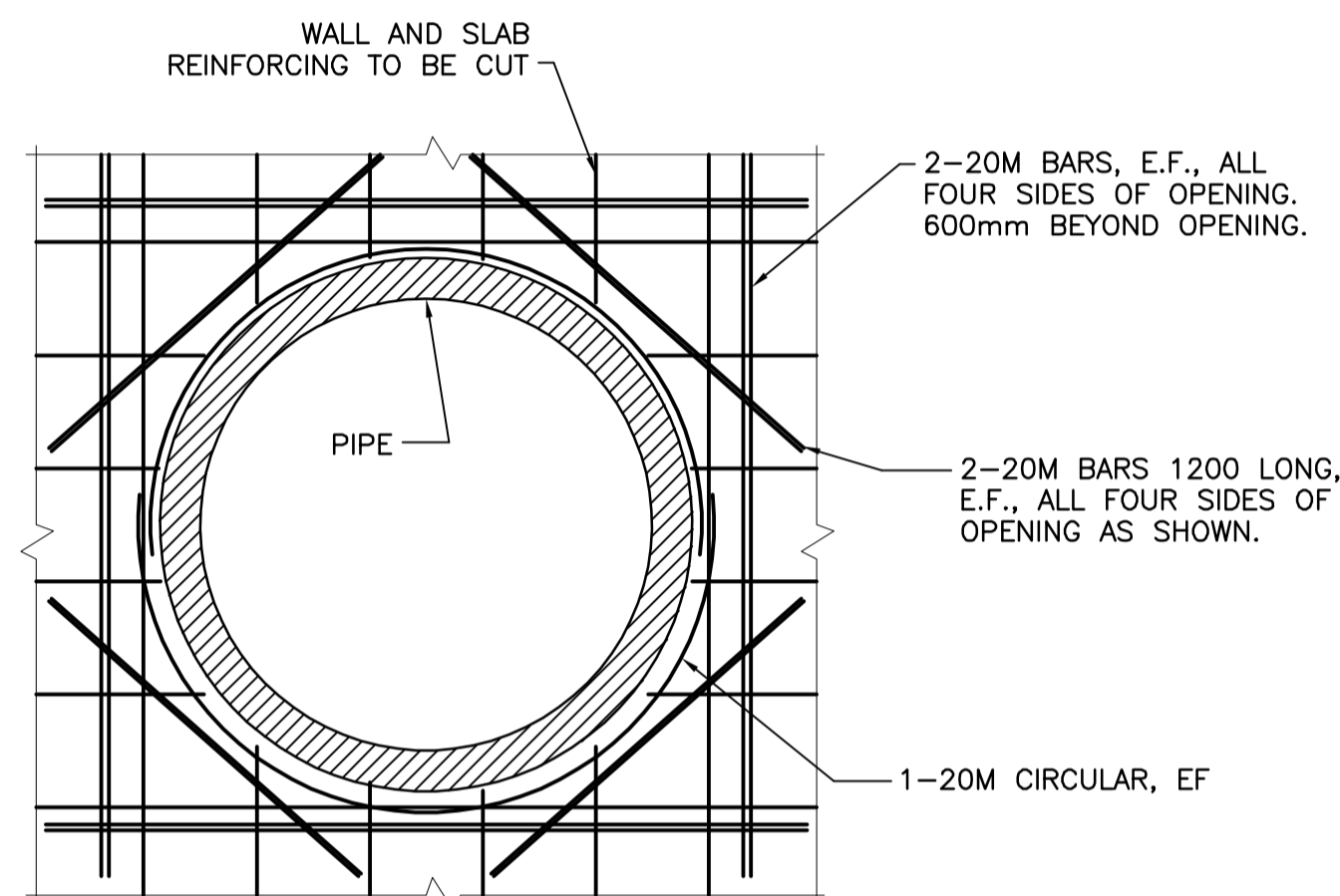
TYPICAL CORNER BAR PLAN DETAIL



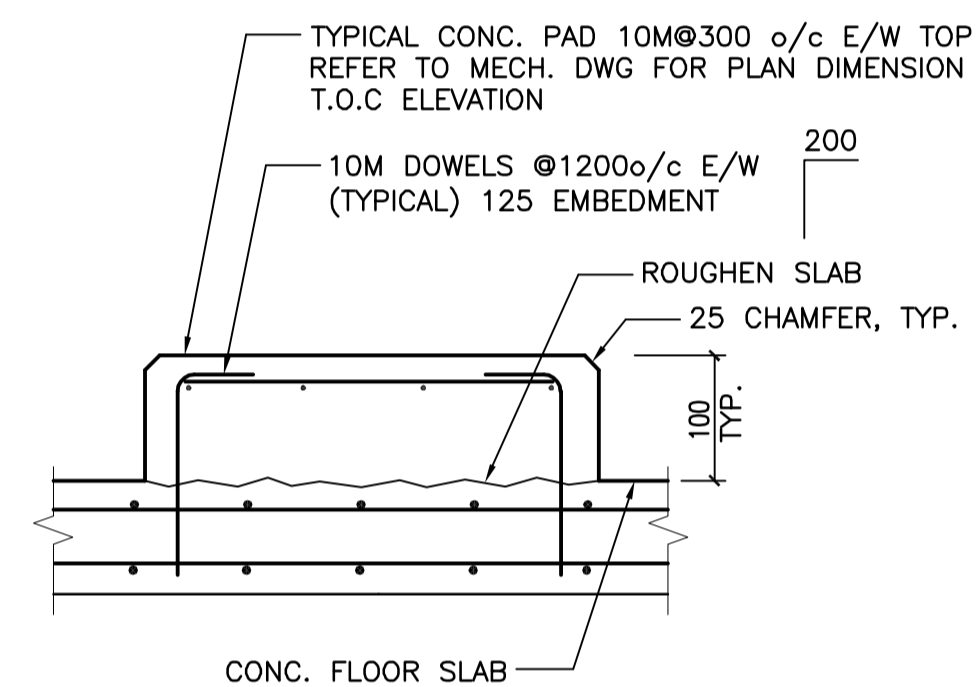
TYPICAL WALL / SLAB CONNECTION DETAIL



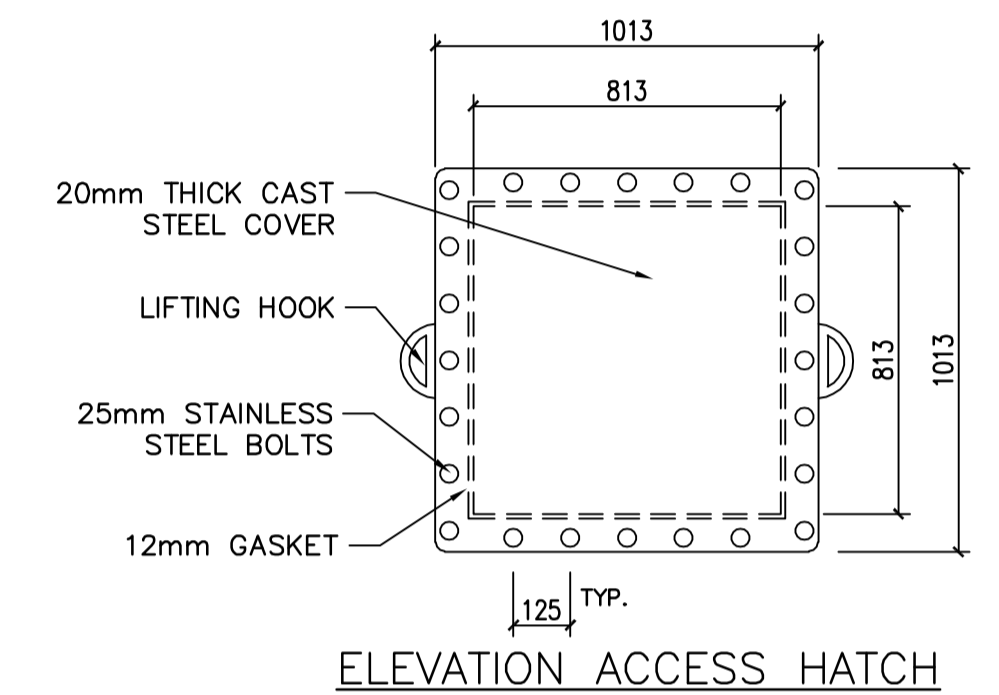
TYPICAL KEY & WATERSTOP DETAIL



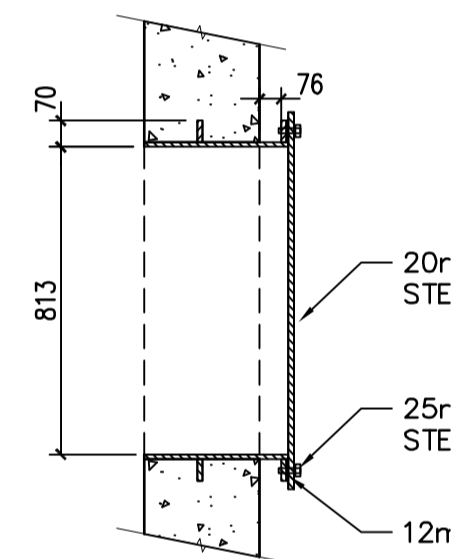
TYPICAL REINFORCING FOR OPEING ON SLAB AND WALL
(FOR OPENING SIZE 300 TO 1200)



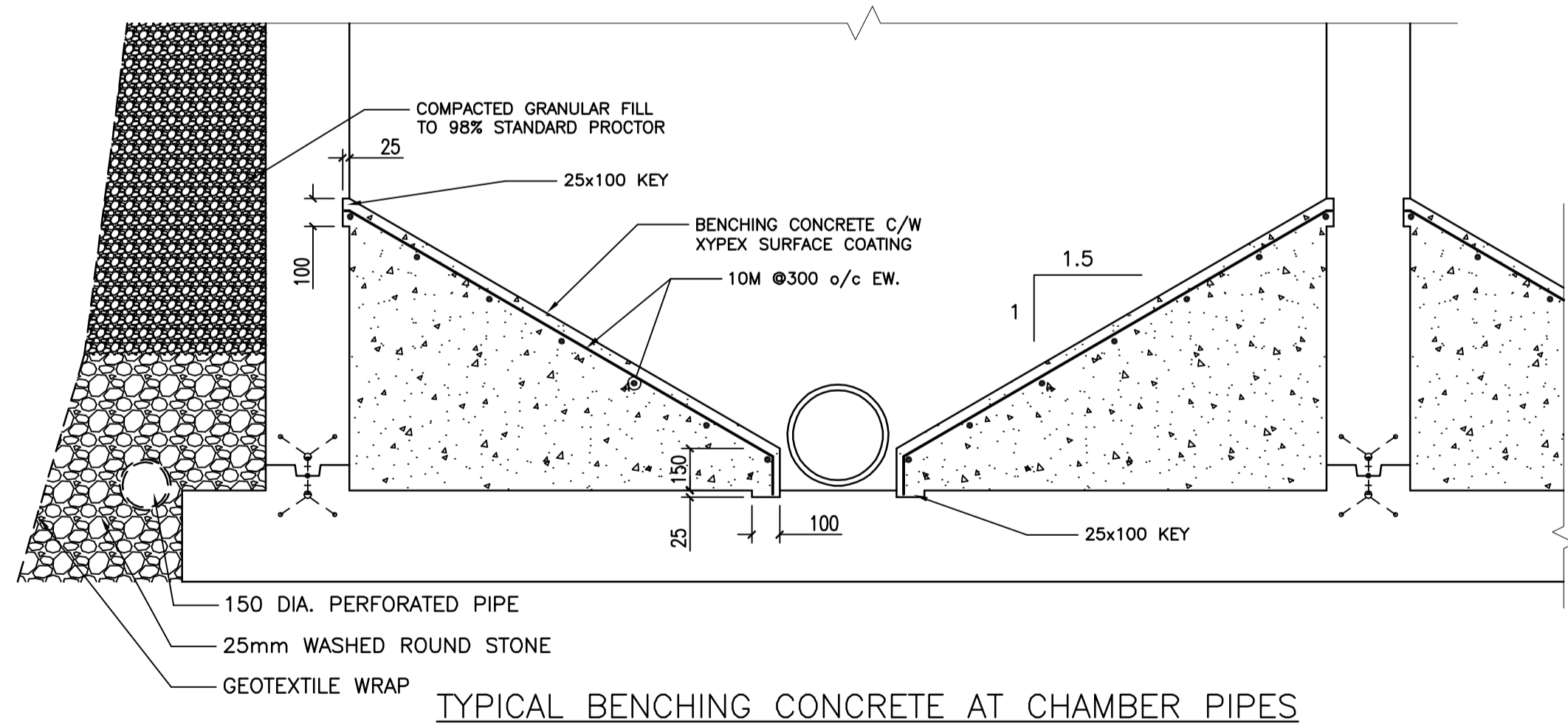
TYPICAL CONC. PAD DETAIL



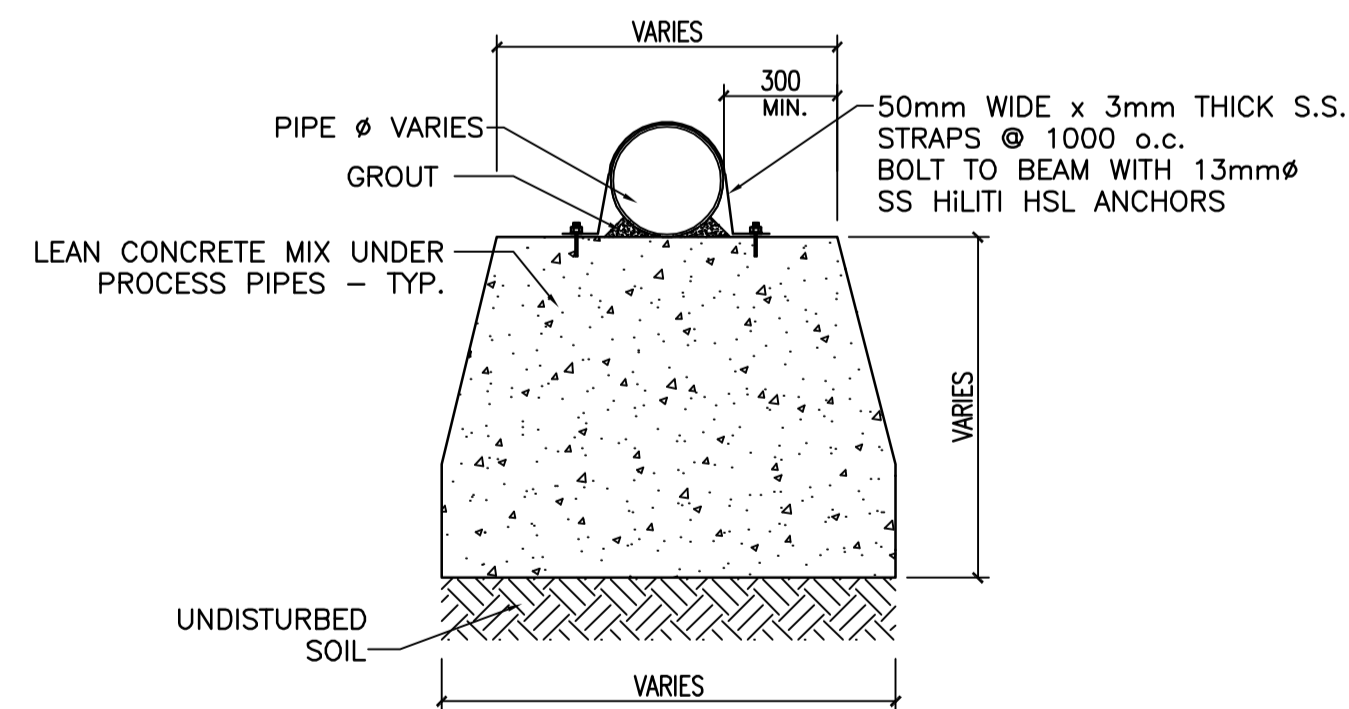
ELEVATION ACCESS HATCH



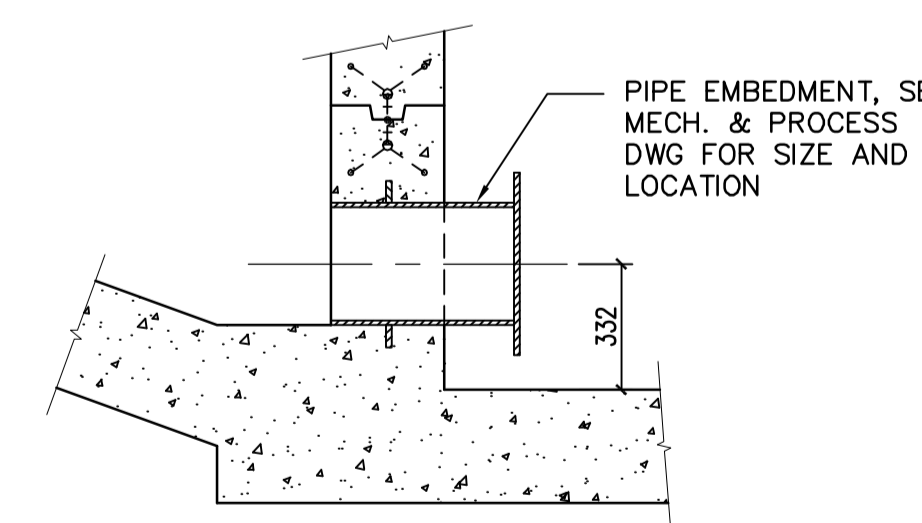
SECTION ACCESS HATCH DETAIL



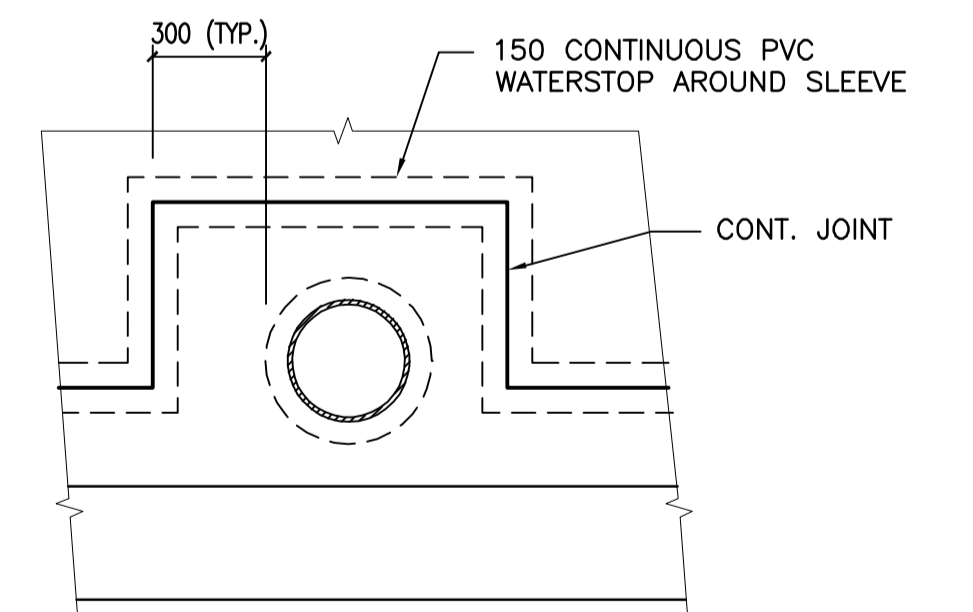
TYPICAL BENCHING CONCRETE AT CHAMBER PIPES



TYPICAL PIPE SUPPORT BEAM DETAIL



TYPICAL PIPE EMBEDMENT DETAIL



SECTION VIEW OF TYPICAL PIPE EMBEDMENT DETAIL

METRIC
WHOLE NUMBERS INDICATE MILLIMETRES
DECIMALIZED NUMBERS INDICATE METRES

APEGM
Certificate of Authorization
Stantec Consulting Ltd.
No. 1301 Date: _____

LOCATION APPROVED UNDERGROUND STRUCTURES			
SUPV. U/G STRUCTURES COMMITTEE	DATE		
NOTE: LOCATION OF UNDERGROUND STRUCTURES AS SHOWN ARE BASED ON THE BEST INFORMATION AVAILABLE BUT NO GUARANTEE IS GIVEN THAT ALL EXISTING UTILITIES ARE SHOWN OR THAT THE GIVEN LOCATIONS ARE EXACT. CONFIRMATION OF EXISTENCE AND EXACT LOCATION OF ALL SERVICES MUST BE OBTAINED FROM THE INDIVIDUAL UTILITIES BEFORE PROCEEDING WITH CONSTRUCTION.			
A	ISSUED FOR TENDER	10.02.16	WO
NO.	REVISIONS	DATE	BY

B.M. ELEV.			

Stantec Consulting Ltd.
905 Waverley Street, Winnipeg, Manitoba
Tel 204-489-5900 Fax 204-453-9012

DESIGNED BY	M.H.	CHECKED BY	T.D.
DRAWN BY	L.L.	APPROVED BY	M.H.
HOR. SCALE:	AS NOTED	RELEASED FOR CONSTRUCTION:	
VERTICAL:		DATE	
		DATE	09.11.23

ENGINEER'S SEAL	
BID OPPORTUNITY NO.	822-2009

THE CITY OF WINNIPEG
WATER AND WASTE DEPARTMENT

Winnipeg

**NORTH END WATER POLLUTION CONTROL CENTRE
HAULED WASTEWATER RECEIVING FACILITIES
HAULED WASTEWATER BUILDING
TYPICAL DETAILS**

CITY DRAWING NUMBER	1-0101A-S0002-001	SHEET OF	2 OF 4
---------------------	-------------------	----------	--------

V:\1170\wastwa\11701830\dwg\11701830.dwg (40...working\sheet...file\structure)\local...work..._A\118305-0002.dwg [5-0002]
2010-02-16 02:03PM By: m...n