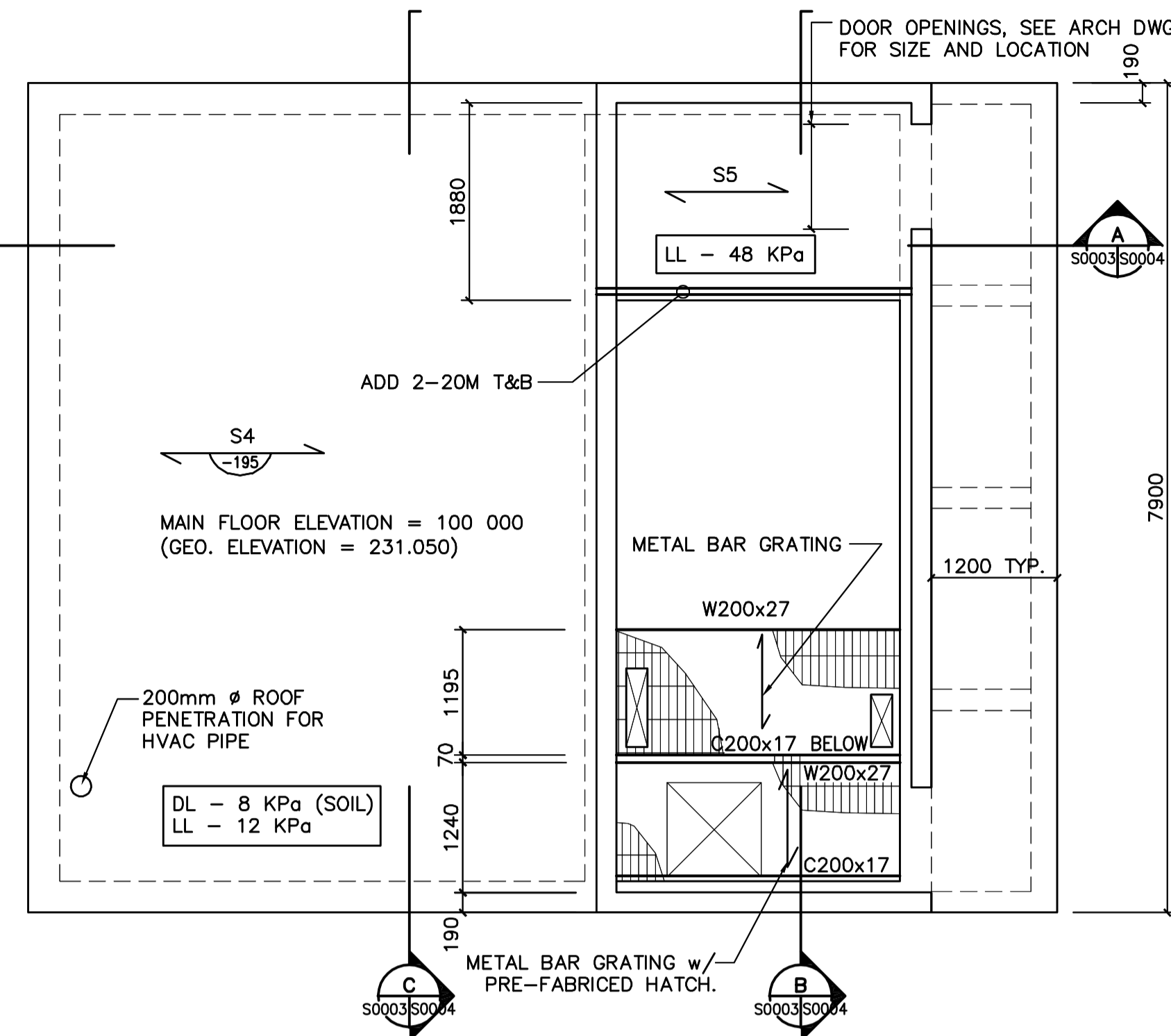
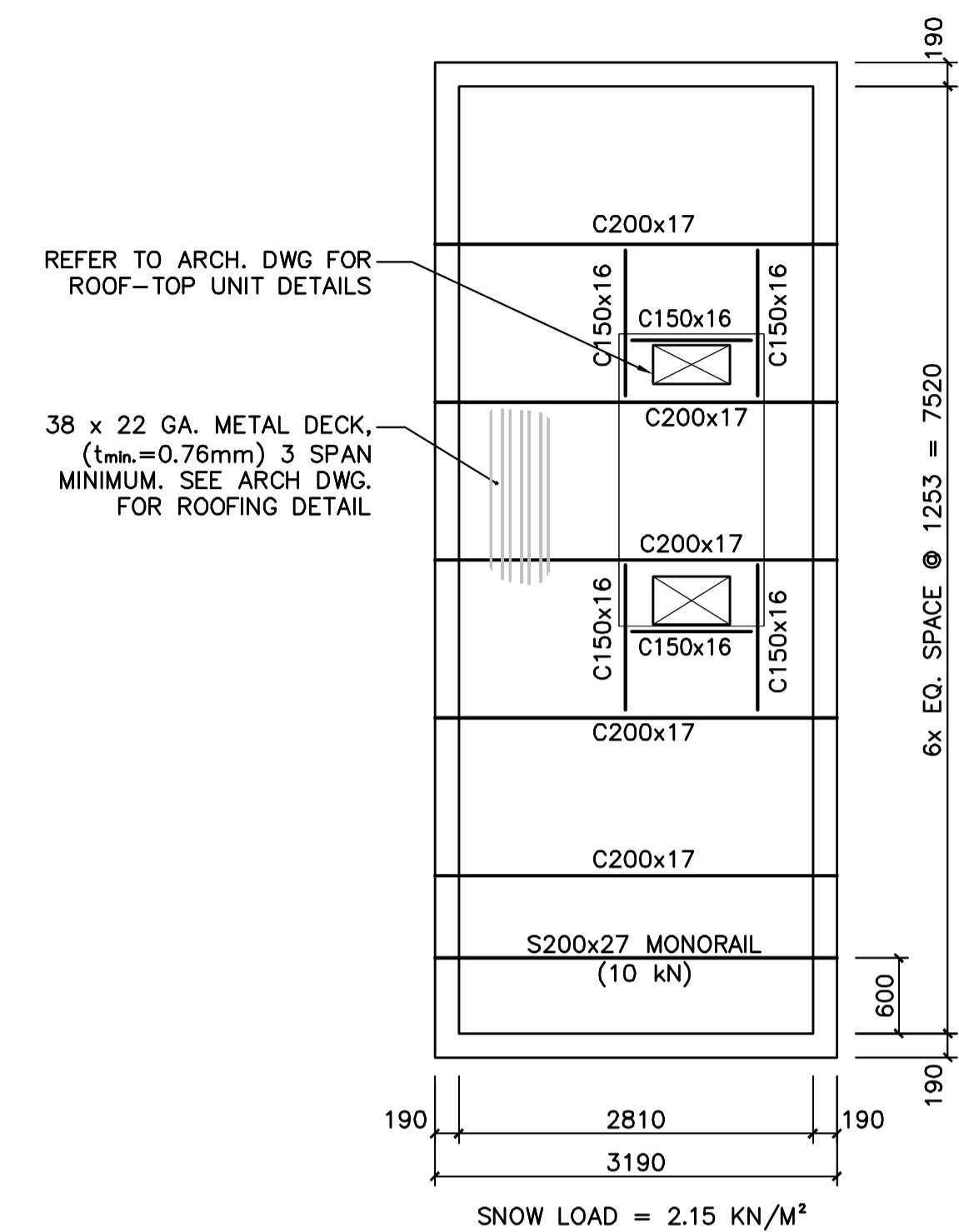


NOTE:  
REFER TO PROCESS/MECHANICAL DRAWINGS FOR PIPE PENETRATION TYPE - CORE DRILLED OR EMBEDDED FLANGE TYPES. PROVIDE ADDITIONAL REBAR AROUND PIPE PENETRATION AS SHOWN ON TYPICAL DETAIL DRAWING. FOR CORE DRILLED TYPE, MARK CENTER OF PIPE PENETRATION ON THE INSIDE FACE OF WALL. CO-ORDINATE PIPE LOCATION SO THAT NO REBAR IS CUT DURING CORE DRILL.

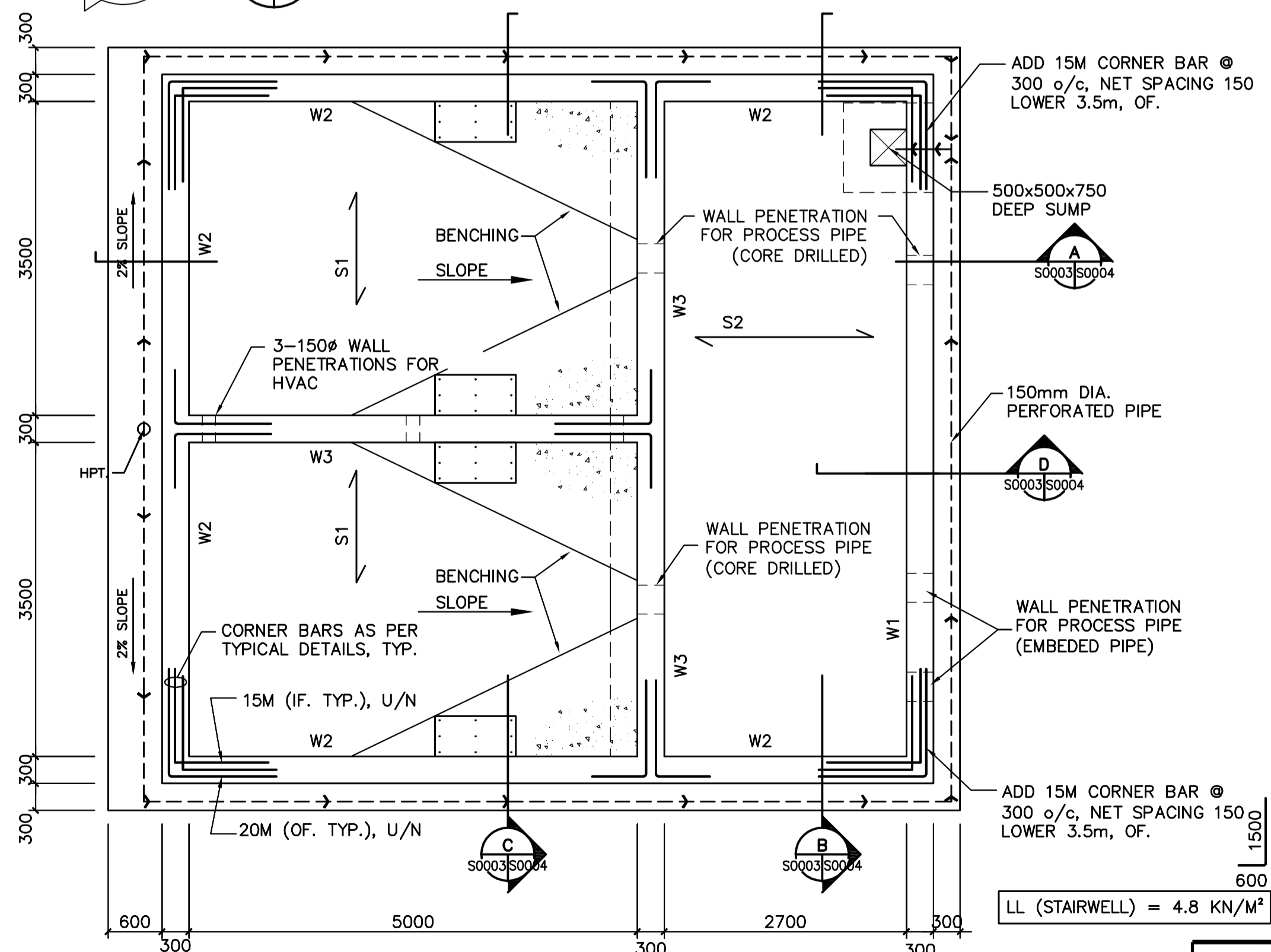
**1 LEVEL 2 - BELOW GRADE**  
S0003/S0003 1:50



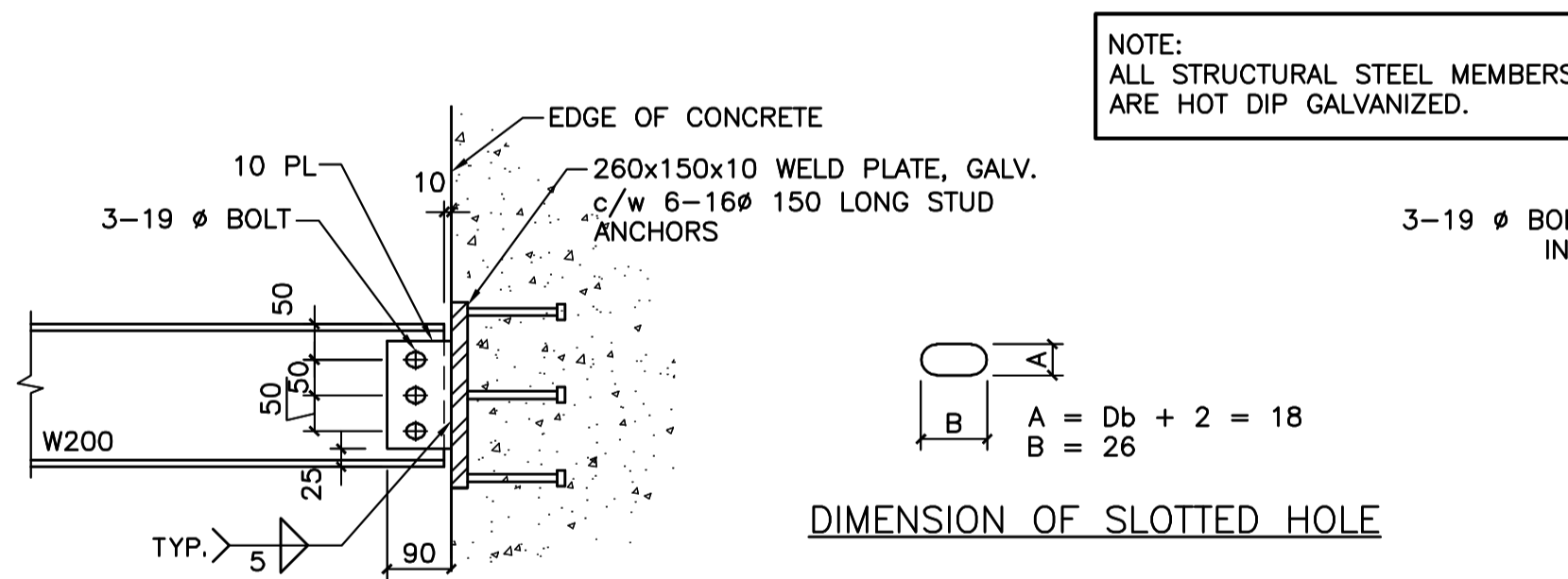
**2 LEVEL 1 - GRADE**  
S0003/S0003 1:50



**3 ROOF PLAN**  
S0003/S0003 1:50



**4 FOUNDATION PLAN**  
S0003/S0003 1:50



**5 SECTION DETAIL - STEEL BEAM CONNECTION**  
S0003/S0003 1:10

METRIC  
WHOLE NUMBERS INDICATE MILLIMETRES  
DECIMALIZED NUMBERS INDICATE METRES



LOCATION APPROVED UNDERGROUND STRUCTURES

SUPV. U/G STRUCTURES COMMITTEE	DATE
NOTE: LOCATION OF UNDERGROUND STRUCTURES AS SHOWN ARE BASED ON THE BEST INFORMATION AVAILABLE BUT NO GUARANTEE IS GIVEN THAT ALL EXISTING UTILITIES ARE SHOWN OR THAT THE GIVEN LOCATIONS ARE EXACT. CONFIRMATION OF EXISTENCE AND EXACT LOCATION OF ALL SERVICES MUST BE OBTAINED FROM THE INDIVIDUAL UTILITIES BEFORE PROCEEDING WITH CONSTRUCTION.	

B.M. ELEV.	
DESIGNED BY	M.H.
CHECKED BY	T.D.
DRAWN BY	L.L.
APPROVED BY	M.H.
HOR. SCALE:	AS NOTED
RELEASED FOR CONSTRUCTION:	
VERTICAL:	
DATE	09.11.23
NO. REVISIONS	
DATE	
BY	

Stantec Consulting Ltd.  
905 Waverley Street, Winnipeg, Manitoba  
Tel 204-489-5900 Fax 204-453-9012

DESIGNED BY	M.H.	CHECKED BY	T.D.
DRAWN BY	L.L.	APPROVED BY	M.H.
HOR. SCALE:	AS NOTED	RELEASED FOR CONSTRUCTION:	
VERTICAL:		DATE	

ENGINEER'S SEAL

BID OPPORTUNITY NO.	822-2009
---------------------	----------

THE CITY OF WINNIPEG  
WATER AND WASTE DEPARTMENT

Winnipeg

**NORTH END WATER POLLUTION CONTROL CENTRE  
HAULED WASTEWATER RECEIVING FACILITIES  
HAULED WASTEWATER BUILDING  
FOUNDATION, FLOOR AND ROOF PLAN**

CITY DRAWING NUMBER	1-0101A-S0003-001	SHEET	3	OF	4
---------------------	-------------------	-------	---	----	---