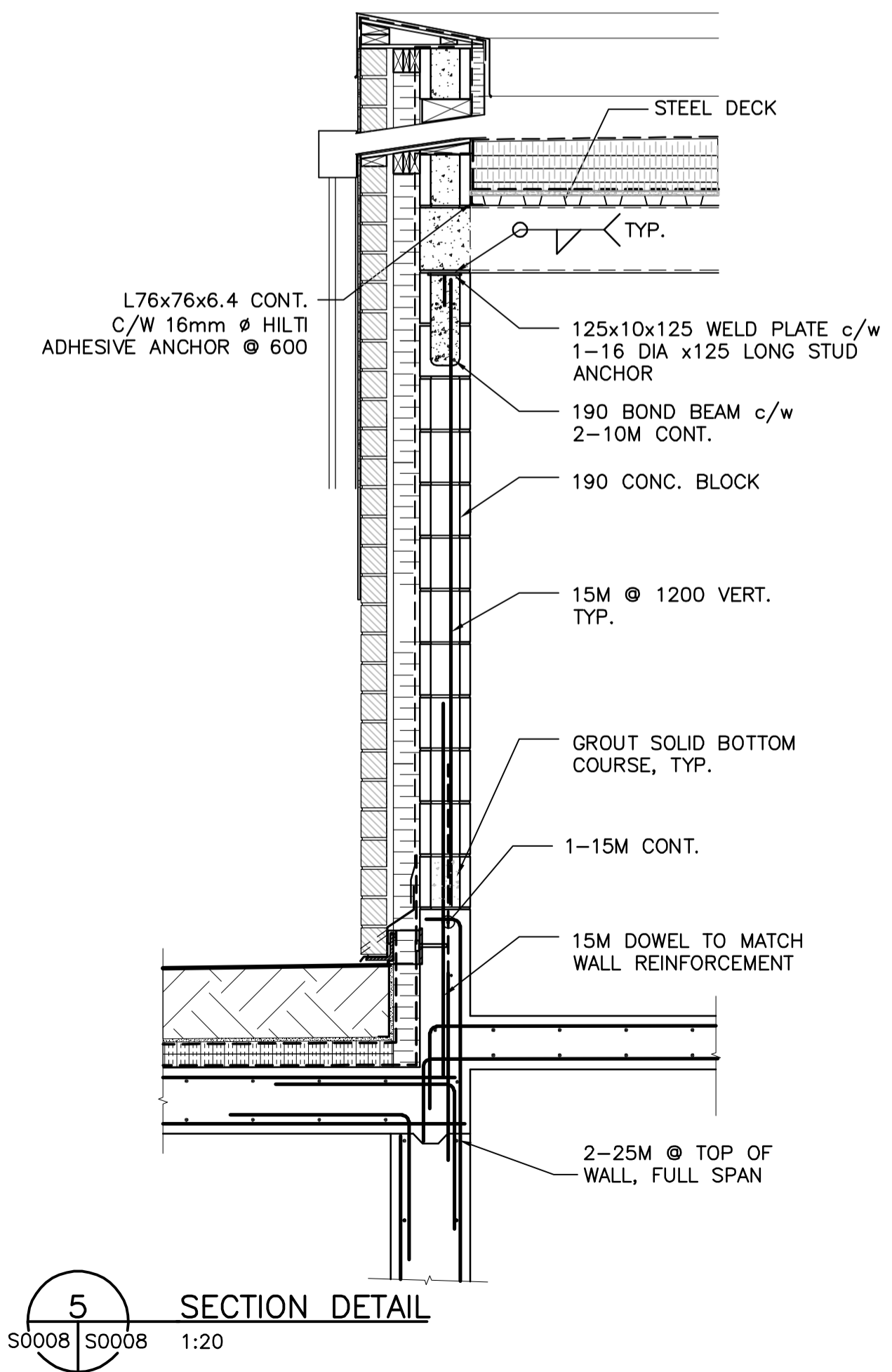


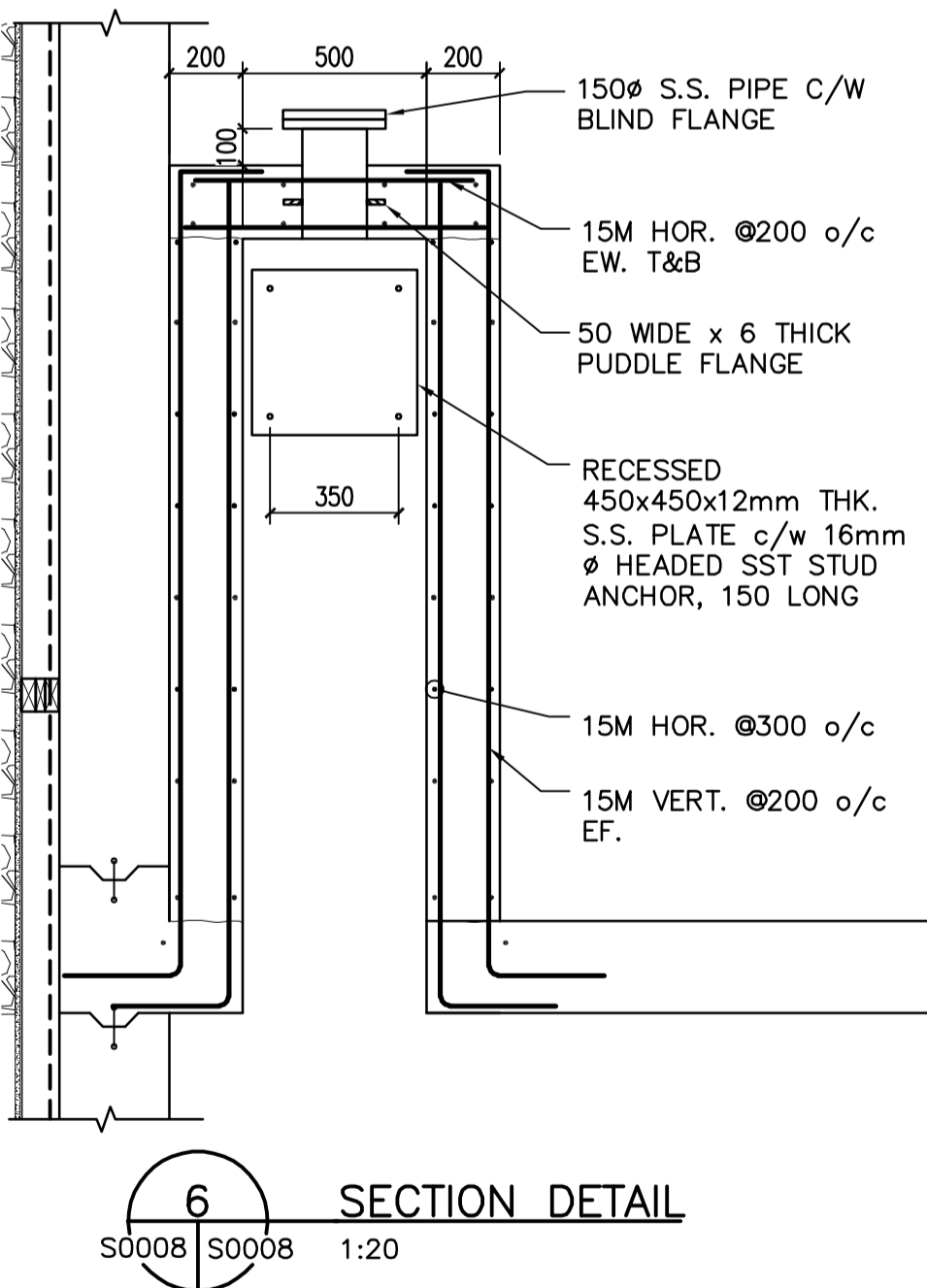
A BUILDING SECTION
S0007 | S0008 1:50

B BUILDING SECTION
S0007 | S0008 1:50

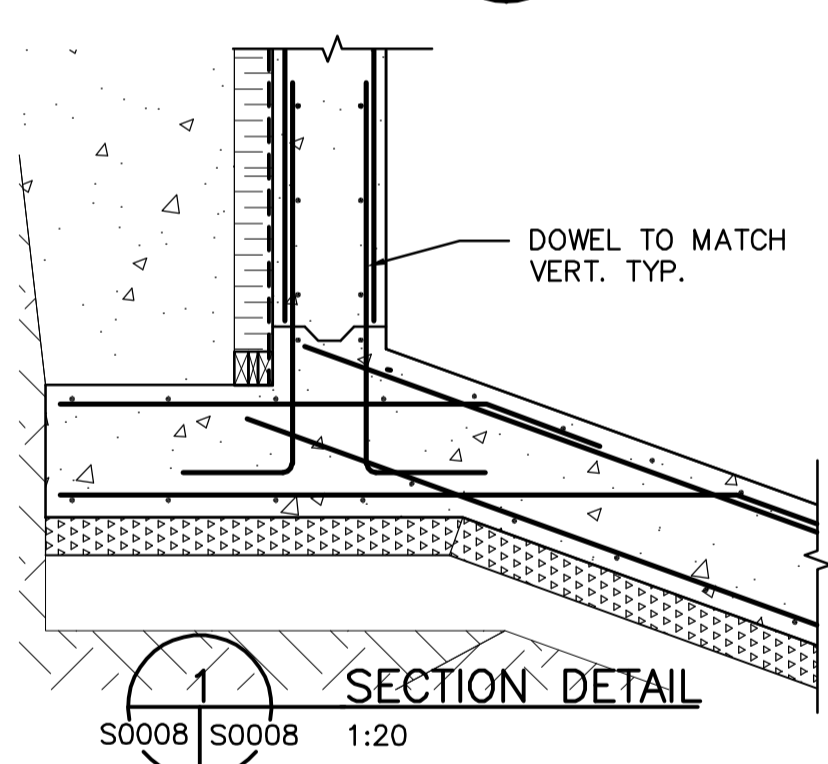
C BUILDING SECTION
S0007 | S0008 1:50



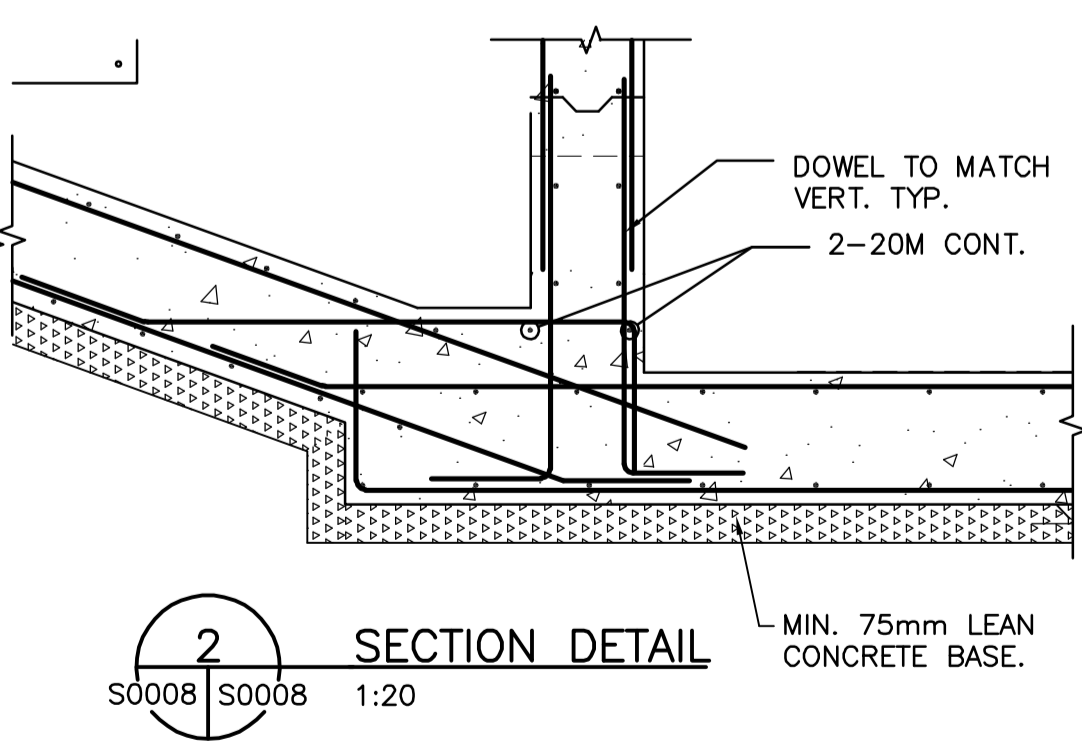
5 SECTION DETAIL
S0008 | S0008 1:20



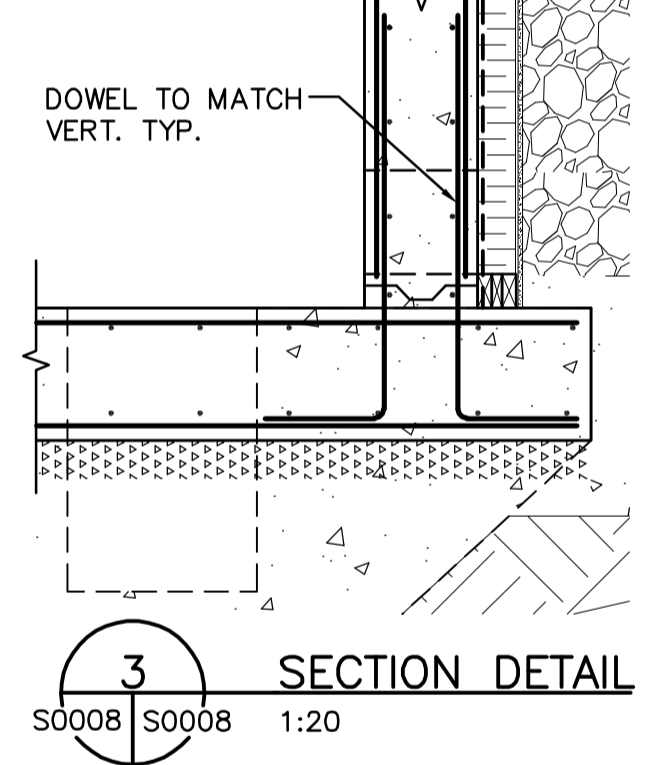
6 SECTION DETAIL
S0008 | S0008 1:20



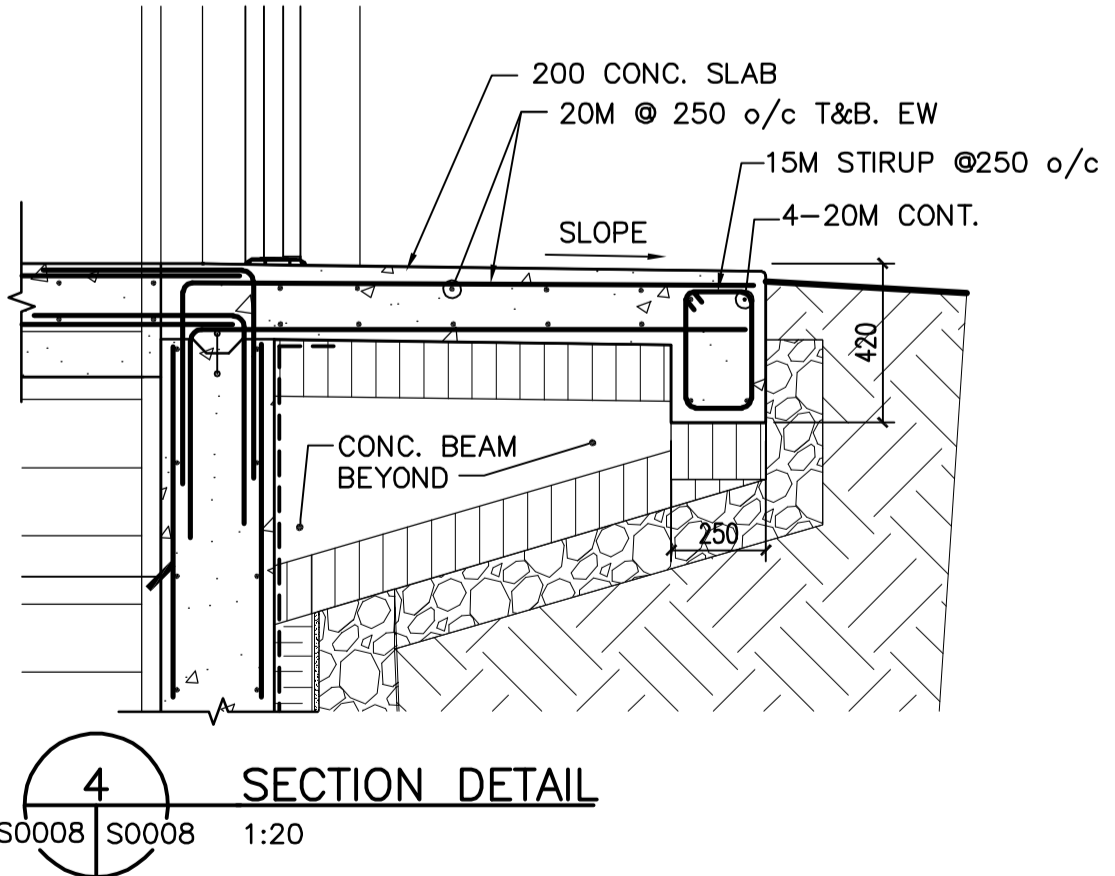
1 SECTION DETAIL
S0008 | S0008 1:20



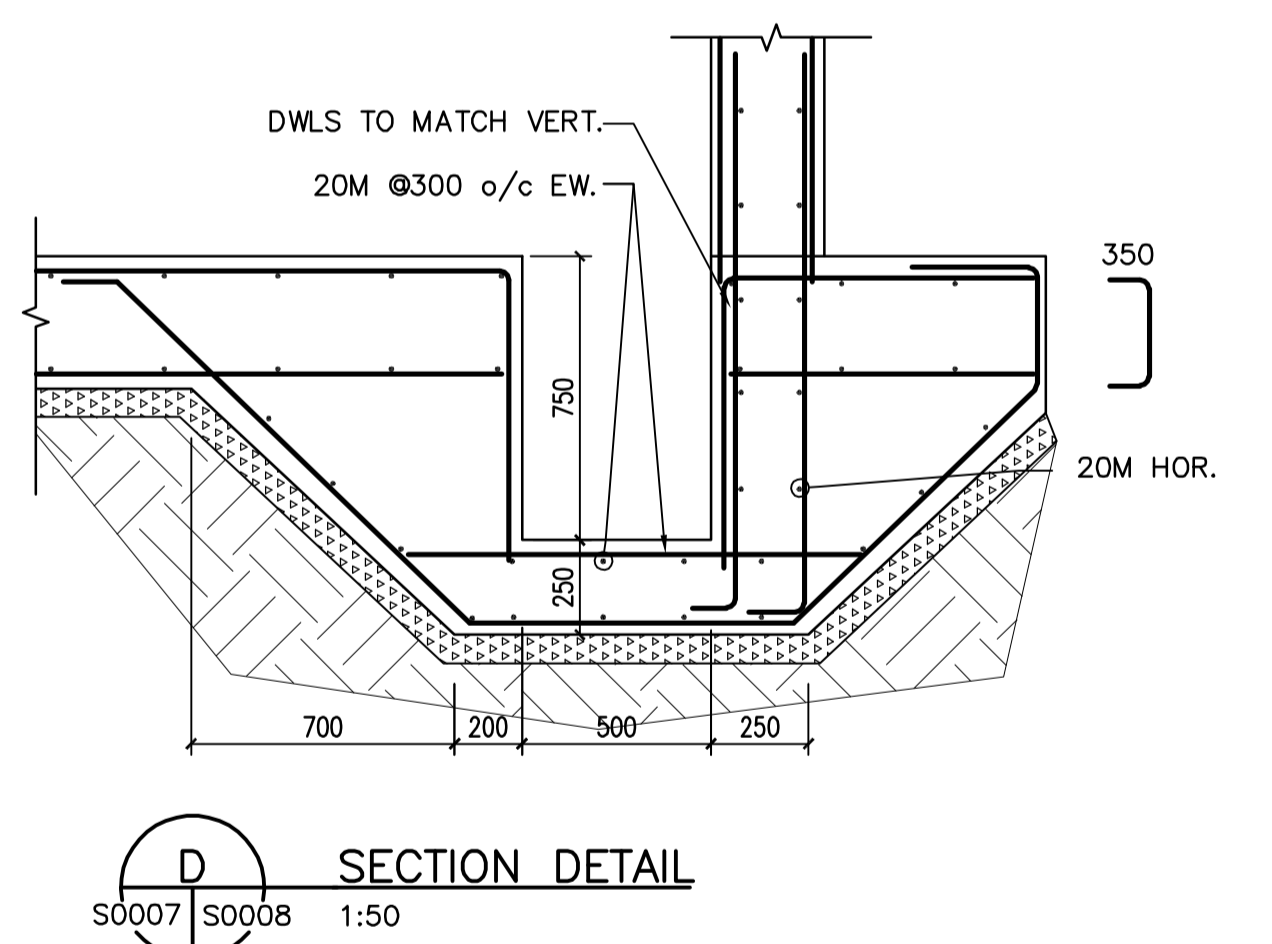
2 SECTION DETAIL
S0008 | S0008 1:20



3 SECTION DETAIL
S0008 | S0008 1:20



4 SECTION DETAIL
S0008 | S0008 1:20



D SECTION DETAIL
S0007 | S0008 1:50

METRIC
WHOLE NUMBERS INDICATE MILLIMETRES
DECIMALIZED NUMBERS INDICATE METRES

APEGM
Certificate of Authorization
Stantec Consulting Ltd.
No. 1301 Date: _____

LOCATION APPROVED UNDERGROUND STRUCTURES		B.M. ELEV.
SUPV. U/G STRUCTURES COMMITTEE	DATE	
NOTE: LOCATION OF UNDERGROUND STRUCTURES AS SHOWN ARE BASED ON THE BEST INFORMATION AVAILABLE BUT NO GUARANTEE IS GIVEN THAT ALL EXISTING UTILITIES ARE SHOWN OR THAT THE GIVEN LOCATIONS ARE EXACT. CONFIRMATION OF EXISTENCE AND EXACT LOCATION OF ALL SERVICES MUST BE OBTAINED FROM THE INDIVIDUAL UTILITIES BEFORE PROCEEDING WITH CONSTRUCTION.		
A	ISSUED FOR TENDER	10.02.16 WO
NO.	REVISIONS	DATE BY

Stantec Consulting Ltd.		ENGINEER'S SEAL
605 Waverley Street, Winnipeg, Manitoba Tel 204-489-5900 Fax 204-453-9012		
DESIGNED BY	M.H.	CHECKED BY T.D.
DRAWN BY	L.L.	APPROVED BY M.H.
HOR. SCALE:	AS NOTED	RELEASED FOR CONSTRUCTION:
VERTICAL:		DATE
	09.11.23	

Stantec Consulting Ltd.		ENGINEER'S SEAL
605 Waverley Street, Winnipeg, Manitoba Tel 204-489-5900 Fax 204-453-9012		
DESIGNED BY	M.H.	CHECKED BY T.D.
DRAWN BY	L.L.	APPROVED BY M.H.
HOR. SCALE:	AS NOTED	RELEASED FOR CONSTRUCTION:
VERTICAL:		DATE
	09.11.23	

THE CITY OF WINNIPEG WATER AND WASTE DEPARTMENT		
Winnipeg		
NORTH END WATER POLLUTION CONTROL CENTRE HAULED WASTEWATER RECEIVING FACILITIES LEACHATE RECEIVING BUILDING SECTIONS AND DETAILS		
BID OPPORTUNITY NO.	822-2009	CITY DRAWING NUMBER
		1-0101A-S0008-001
SHEET	4	OF 4

V:\1170\winnipeg\11701830\Drawings\04_struct\sheet_files\structure\leachate-receiving-11701830-0008.dwg [5-0008]