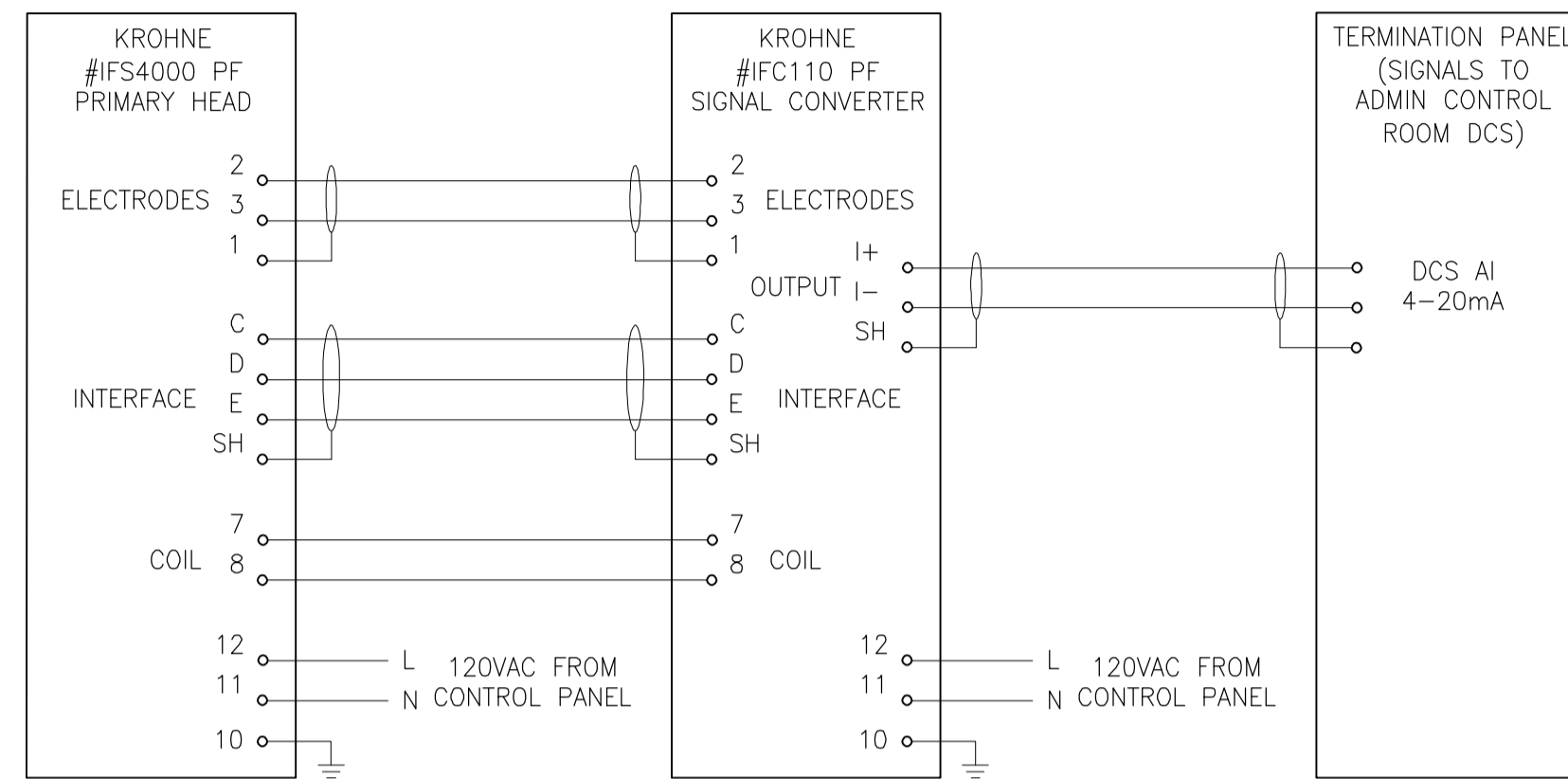
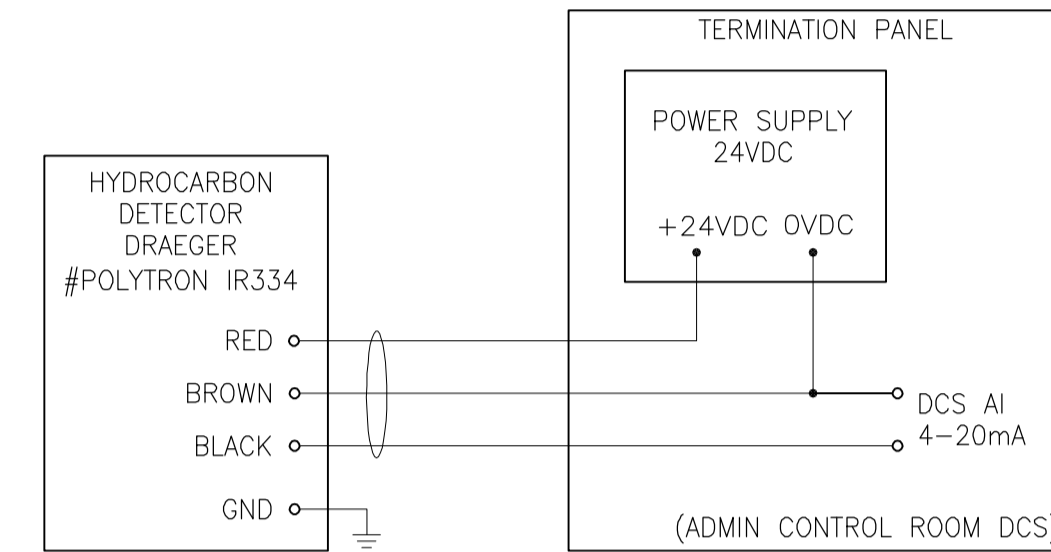


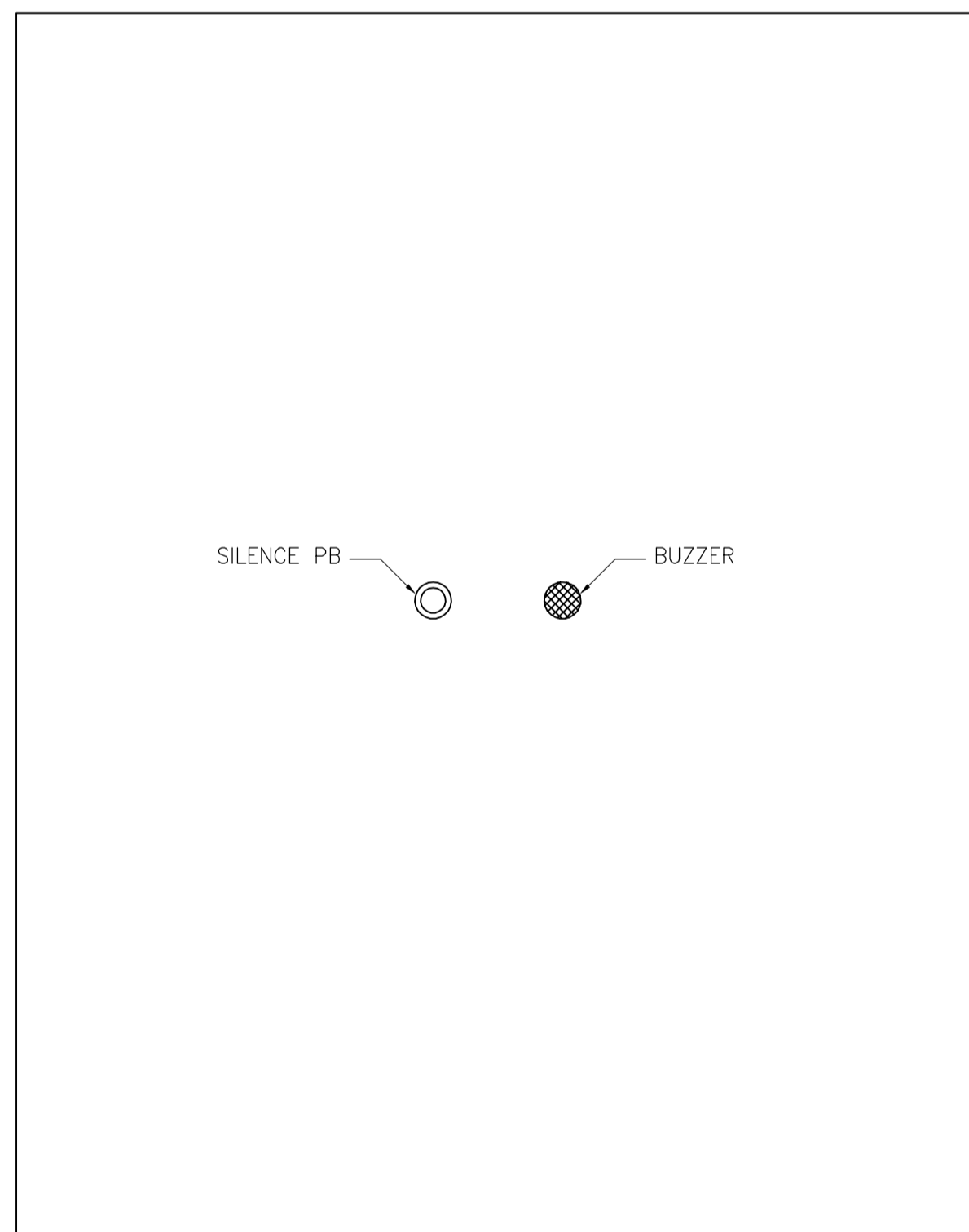
HAULED WASTEWATER BUILDING ELECTRIC ACTUATORS WIRING DIAGRAM (TYPICAL FOR SBV-1; SBV-2)



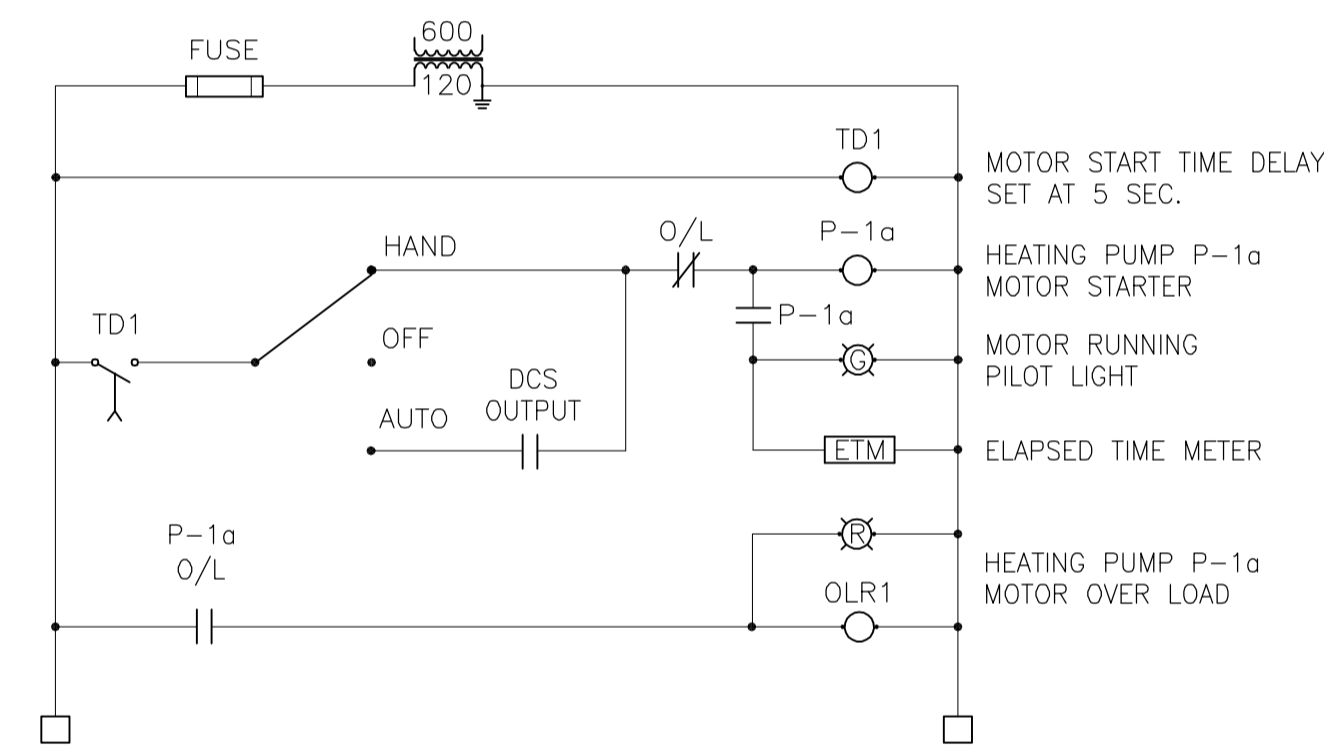
FLOW METERS FOR PARTIALLY FILLED PIPES WIRING DIAGRAM (TYPICAL FOR FIT-1; FIT-2)



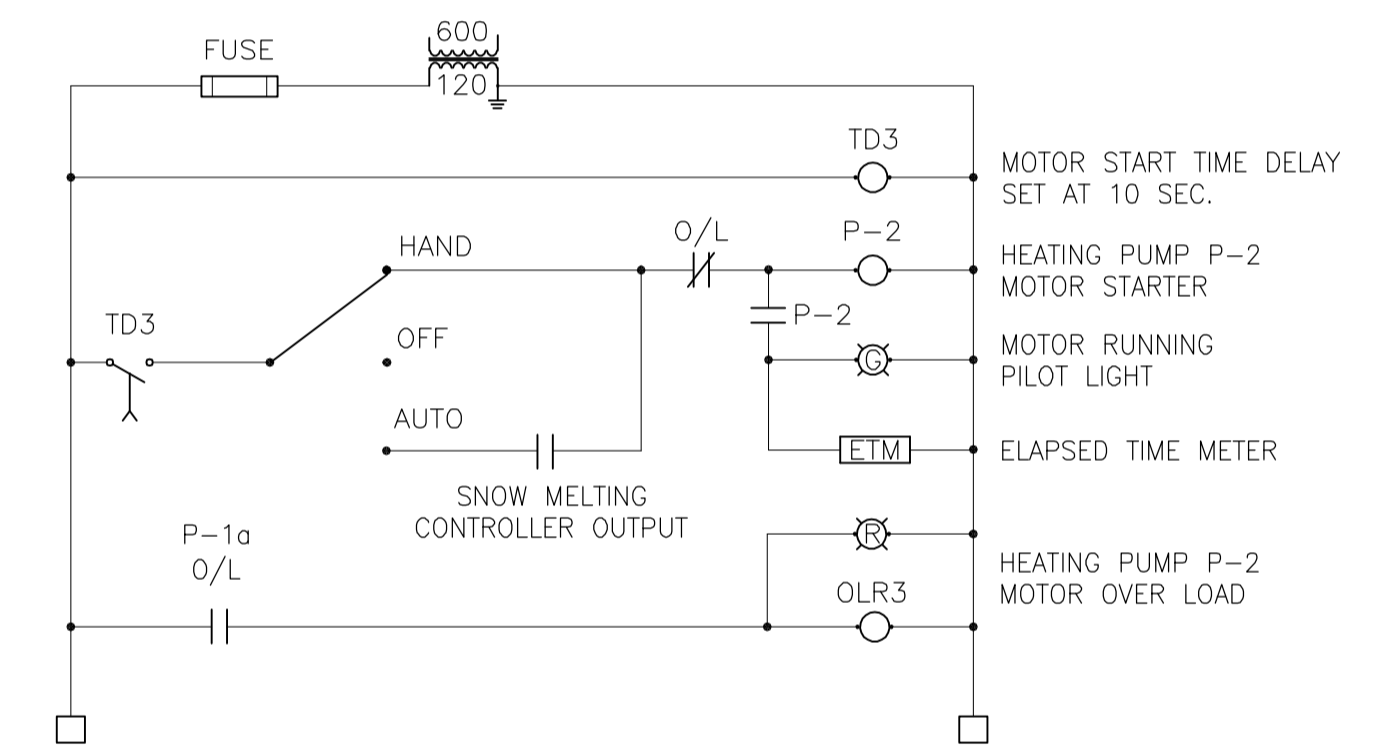
HYDROCARBON DETECTOR WIRING DIAGRAM (TYPICAL FOR AIT-1; AIT-2)



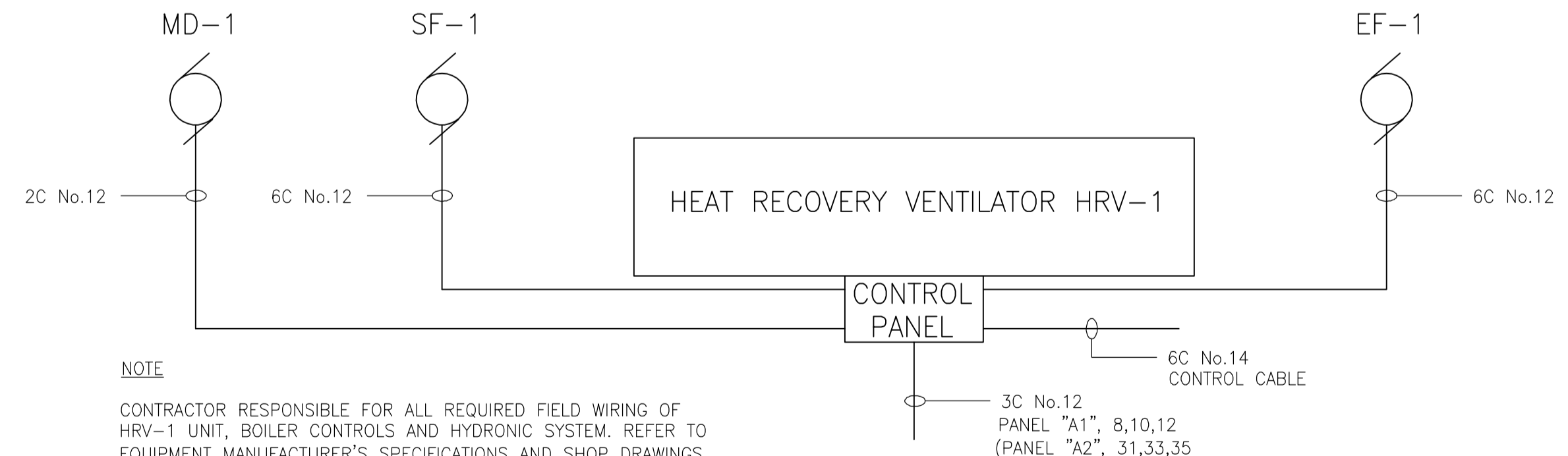
TERMINATION PANEL WITH REMOTE I/Os AND PC



HEATING PUMP P-1a MOTOR WIRING DIAGRAM (TYP. OF 2)



HEATING PUMP P-2 MOTOR WIRING DIAGRAM



HEAT RECOVERY VENTILATOR HRV-1 DETAIL



V:\11170\proj\111701030\stg\111701030\_sdw\work\111701030.dwg (sheet) 11/30/09 11:30:02 AM By: amirah

**METRIC**

WHOLE NUMBERS INDICATE MILLIMETRES  
 DECIMALIZED NUMBERS INDICATE METRES

LOCATION APPROVED UNDERGROUND STRUCTURES

SUPV. U/G STRUCTURES COMMITTEE DATE

NOTE:  
 LOCATION OF UNDERGROUND STRUCTURES AS SHOWN ARE BASED ON THE BEST INFORMATION AVAILABLE BUT NO GUARANTEE IS GIVEN THAT ALL EXISTING UTILITIES ARE SHOWN OR THAT THE GIVEN LOCATIONS ARE EXACT. CONFIRMATION OF EXISTENCE AND EXACT LOCATION OF ALL SERVICES MUST BE OBTAINED FROM THE INDIVIDUAL UTILITIES BEFORE PROCEEDING WITH CONSTRUCTION.

B.M. ELEV.	NO.	REVISIONS	DATE	BY
	A	ISSUED FOR TENDER	10.02.16	S.T.

**Stantec Consulting Ltd.**  
 905 Waverley Street, Winnipeg, Manitoba  
 Tel 204-489-5900 Fax 204-453-9012

DESIGNED BY	S.T.	CHECKED BY	D.D.
DRAWN BY	S.T.	APPROVED BY	
HOR. SCALE:		RELEASED FOR CONSTRUCTION:	
VERTICAL:		DATE	09.11.20

ENGINEER'S SEAL  
 TENDER NO. 822-2009

**THE CITY OF WINNIPEG**  
 WATER AND WASTE DEPARTMENT  
 Winnipeg  
 SOUTH END WATER POLLUTION CONTROL CENTRE  
 HAULED WASTEWATER RECEIVING FACILITIES  
 HAULED WASTEWATER RECEIVING BUILDING  
 MISCELLANEOUS WIRING DETAILS  
 CITY DRAWING NUMBER I-0102A-A0017-001  
 SHEET 1 OF 1