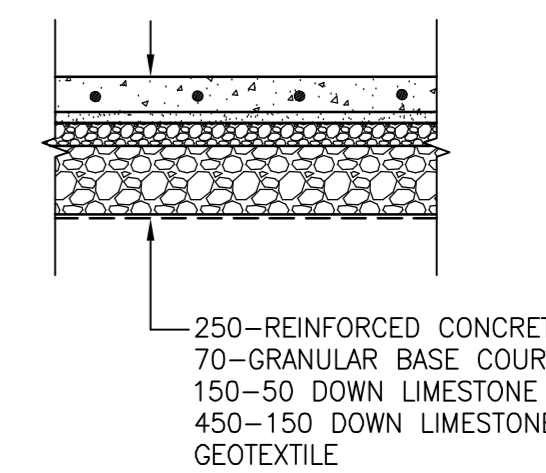
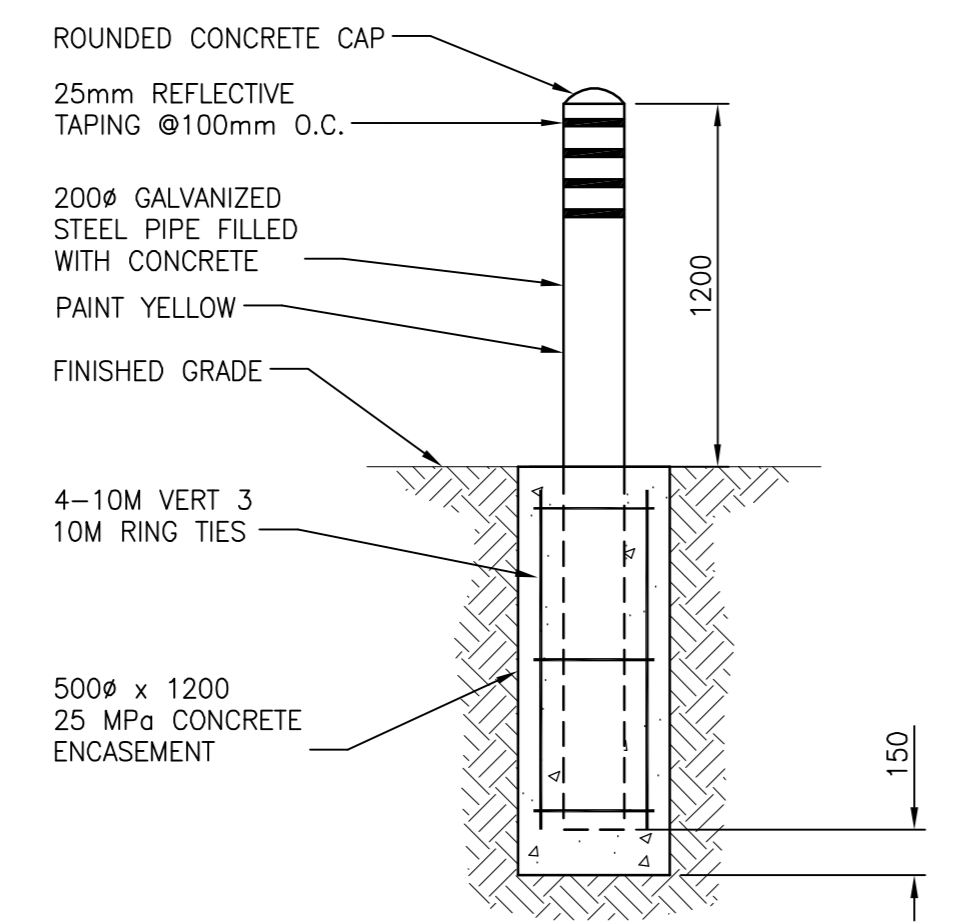


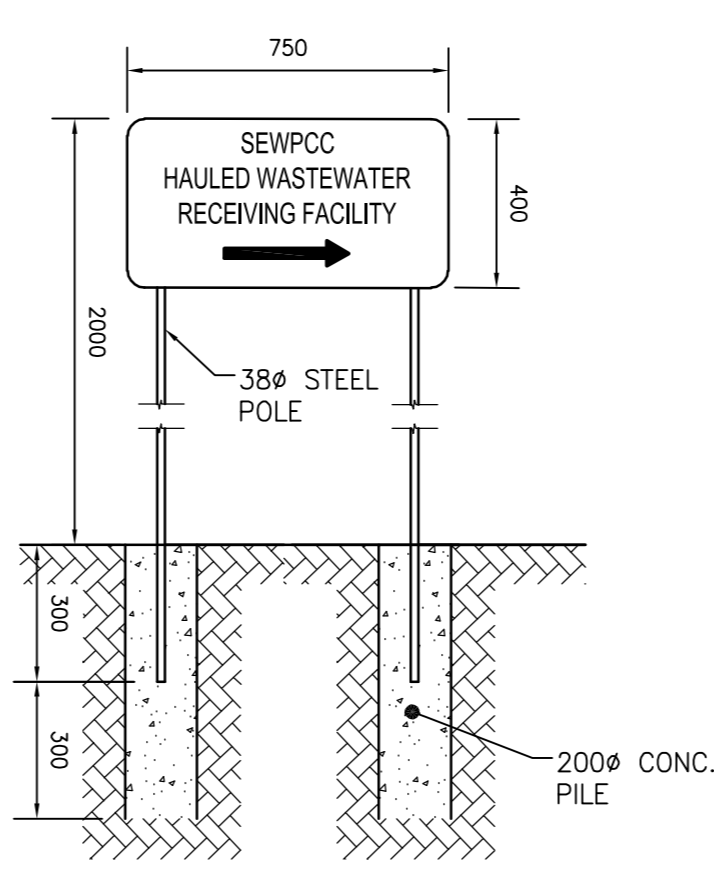
**A**  
HEATED PAD SECTION  
C0006  
N.T.S.



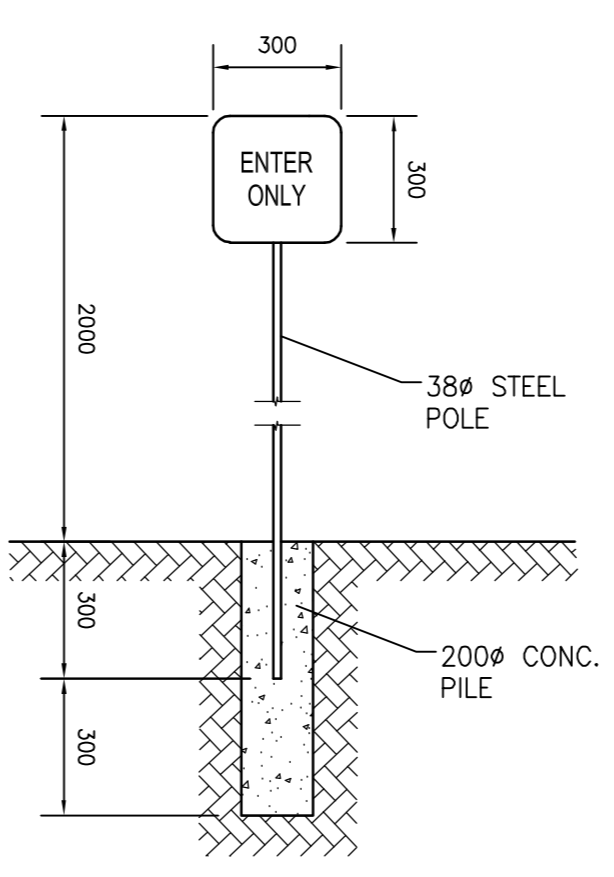
**B**  
TYPICAL PAVEMENT SECTION  
C0006  
N.T.S.



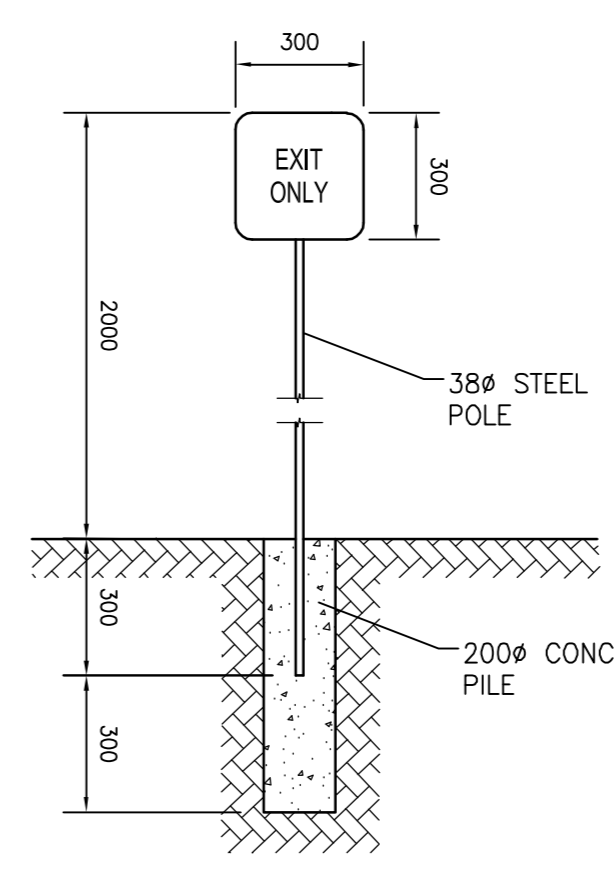
**1**  
TYPICAL BOLLARD DETAIL  
C0006  
1:25



**2**  
SIGN DETAIL  
C0006  
N.T.S.



**3**  
SIGN DETAIL  
C0006  
N.T.S.



**4**  
SIGN DETAIL  
C0006  
N.T.S.

- NOTES:**
- OPERATION OF EXISTING HAULED WASTEWATER RECEIVING STATION TO BE MAINTAINED UNTIL NEW FACILITY IS FULLY OPERATIONAL AND CONSTRUCTION COMPLETE.
  - ALL PAVEMENT AND SURFACE WORKS AT THE EXISTING RECEIVING STATION TO BE REMOVED. ALL EXISTING UNDERGROUND WORKS TO BE ABANDONED.

**METRIC**  
WHOLE NUMBERS INDICATE MILLIMETRES  
DECIMALIZED NUMBERS INDICATE METRES

**APEGM**  
Certificate of Authorization  
Stantec Consulting Ltd.  
No. 1301 Date:

74M533 - Tblt. in E. wall of extended front entrance to City of Winnipeg South End Water Pollution Control Center, S. of Perimeter Hwy., approx. 1370m (1.3 km) E. of St. Mary's Rd., 0.3m S. of N.E. cor. of entrance.

EXISTING	LEGEND-PLAN	PROPOSED	EXISTING	LEGEND-PLAN	PROPOSED
150 WM	WATERMAIN	150 WM	HYDRO		
Hydrant symbol	HYDRANT	Hydrant symbol	M.T.S.		
Valve symbol	VALVE	Valve symbol	CONCRETE		
300 L.D.S.	LAND DRAINAGE SEWER	300 L.D.S.	ASPHALT		
250 WWS	WASTE WATER SEWER	250 WWS	SIDEWALK		
Manhole symbol	VENT PIPING MANHOLE	Manhole symbol	PROPERTY LINE		
Catch basin symbol	CATCH BASIN	Catch basin symbol	SURVEY BAR		
Junction symbol	JUNCTIONS	Junction symbol	DITCH		
Culvert symbol	CULVERT	Culvert symbol	ELEVATION	31.334	32.233
Gas symbol	GAS	Gas symbol			

**LOCATION APPROVED UNDERGROUND STRUCTURES**

SUPV. U/G STRUCTURES	DATE

**NOTE:**  
LOCATION OF UNDERGROUND STRUCTURES AS SHOWN ARE BASED ON THE BEST INFORMATION AVAILABLE BUT NO GUARANTEE IS GIVEN THAT ALL EXISTING UTILITIES ARE SHOWN OR THAT THE GIVEN LOCATIONS ARE EXACT. CONFIRMATION OF EXISTENCE AND EXACT LOCATION OF ALL SERVICES MUST BE OBTAINED FROM THE INDIVIDUAL UTILITIES BEFORE PROCEEDING WITH CONSTRUCTION.

B.M. 81-001 ELEV. 234.059	<b>Stantec Consulting Ltd.</b> 905 Waverley Street, Winnipeg, Manitoba Tel 204-489-5900 Fax 204-453-9012	ENGINEER'S SEAL
DESIGNED BY: B.J.R.	CHECKED BY: H.A.K.	
DRAWN BY: W.R.A.	APPROVED BY: B.J.R.	
HOR. SCALE: 1:250	RELEASED FOR CONSTRUCTION:	BID OPPORTUNITY NO. 822-2009
VERTICAL:	DATE: 09.10.30	CITY DRAWING NUMBER 1-0102A-C0006-001
A ISSUED FOR TENDER 10.02.16 H.A.K.	NO. REVISIONS	SHEET 1 OF 1

**THE CITY OF WINNIPEG**  
WATER AND WASTE DEPARTMENT

**Winnipeg**  
SOUTH END WATER POLLUTION CONTROL CENTRE  
HAULED WASTEWATER RECEIVING FACILITIES

**SITE PLAN**

V:\1170\c0006\11701030\Drawings\04\_working\sheet\_files\Site\SEWPPC\11836-101-sewppc.dwg  
 2010-02-10 08:59:09 By: amirah