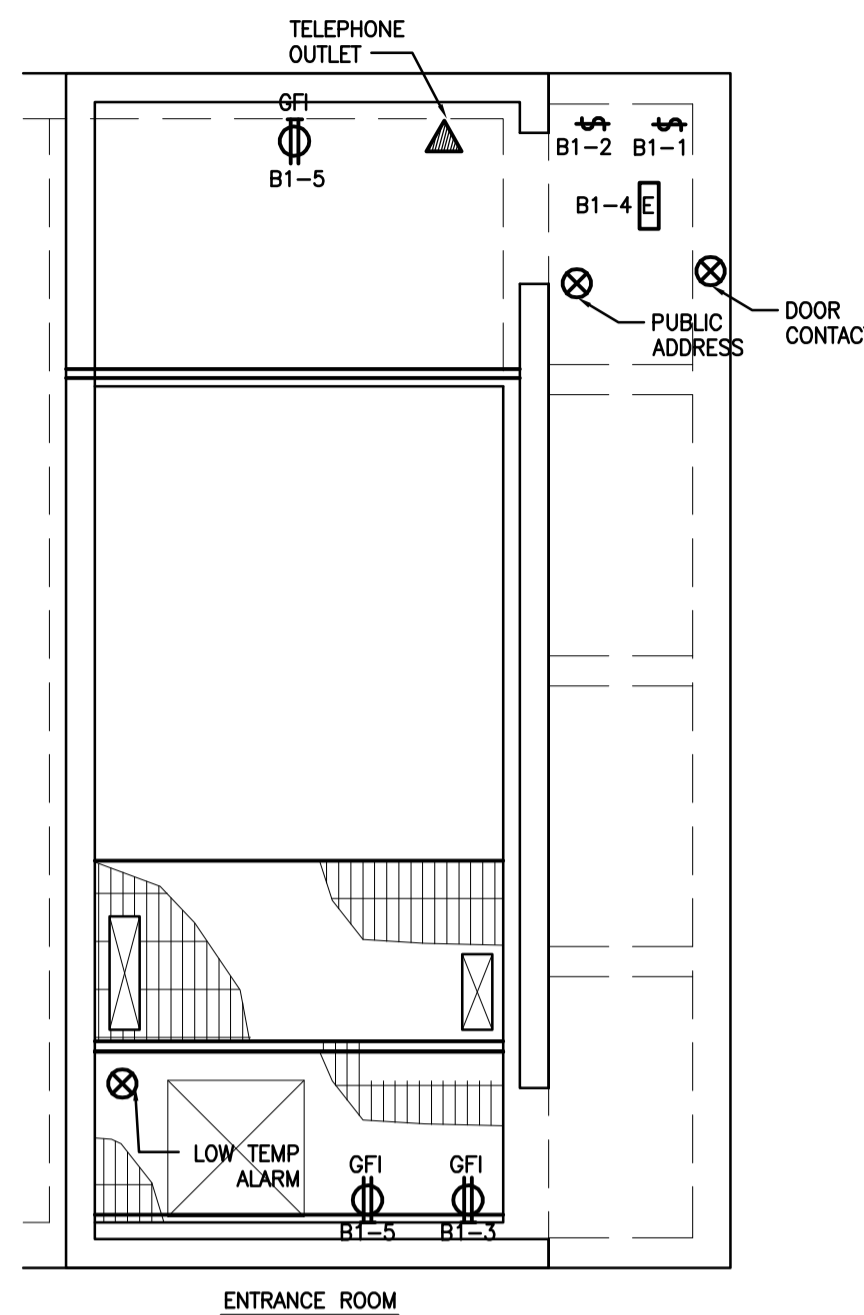
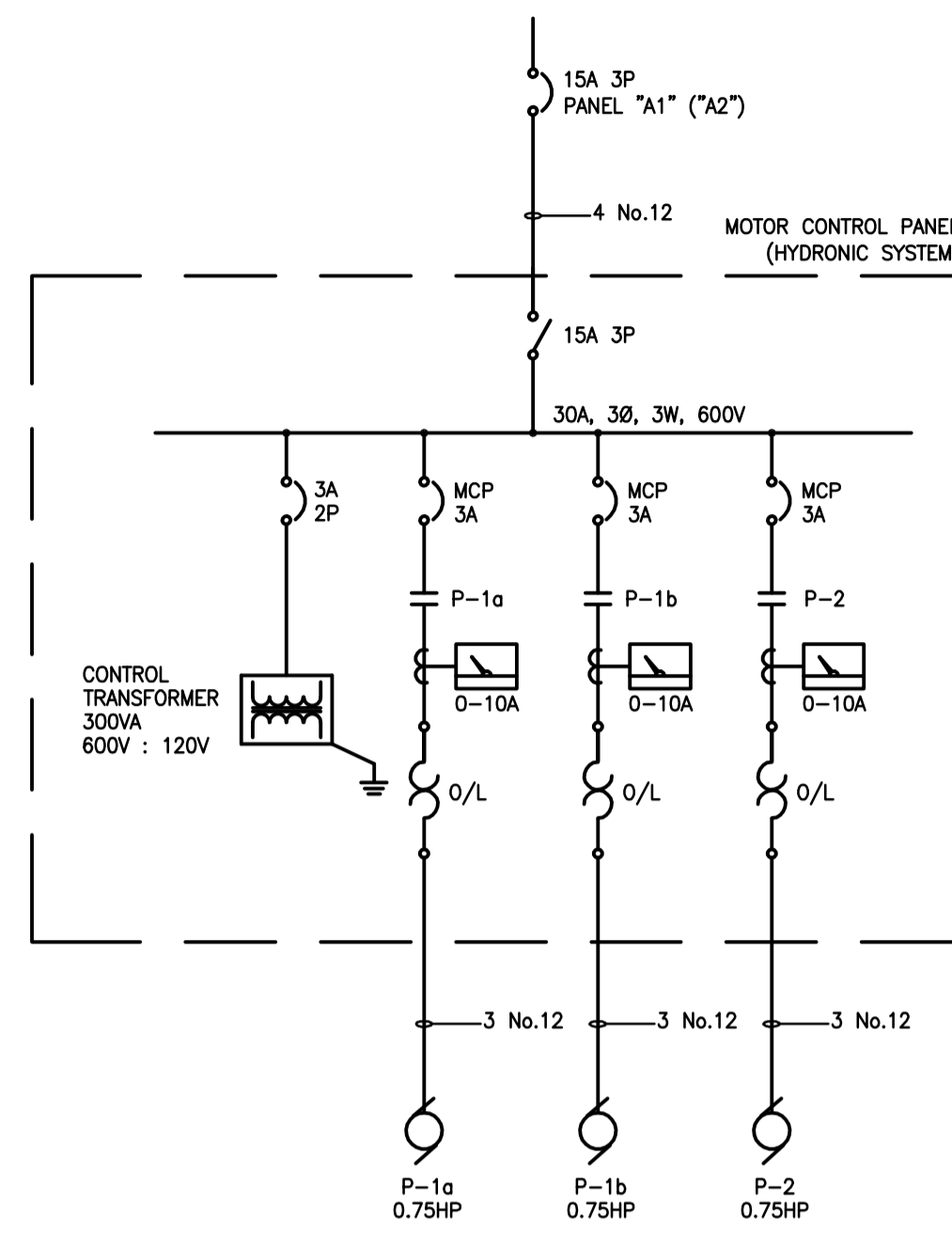


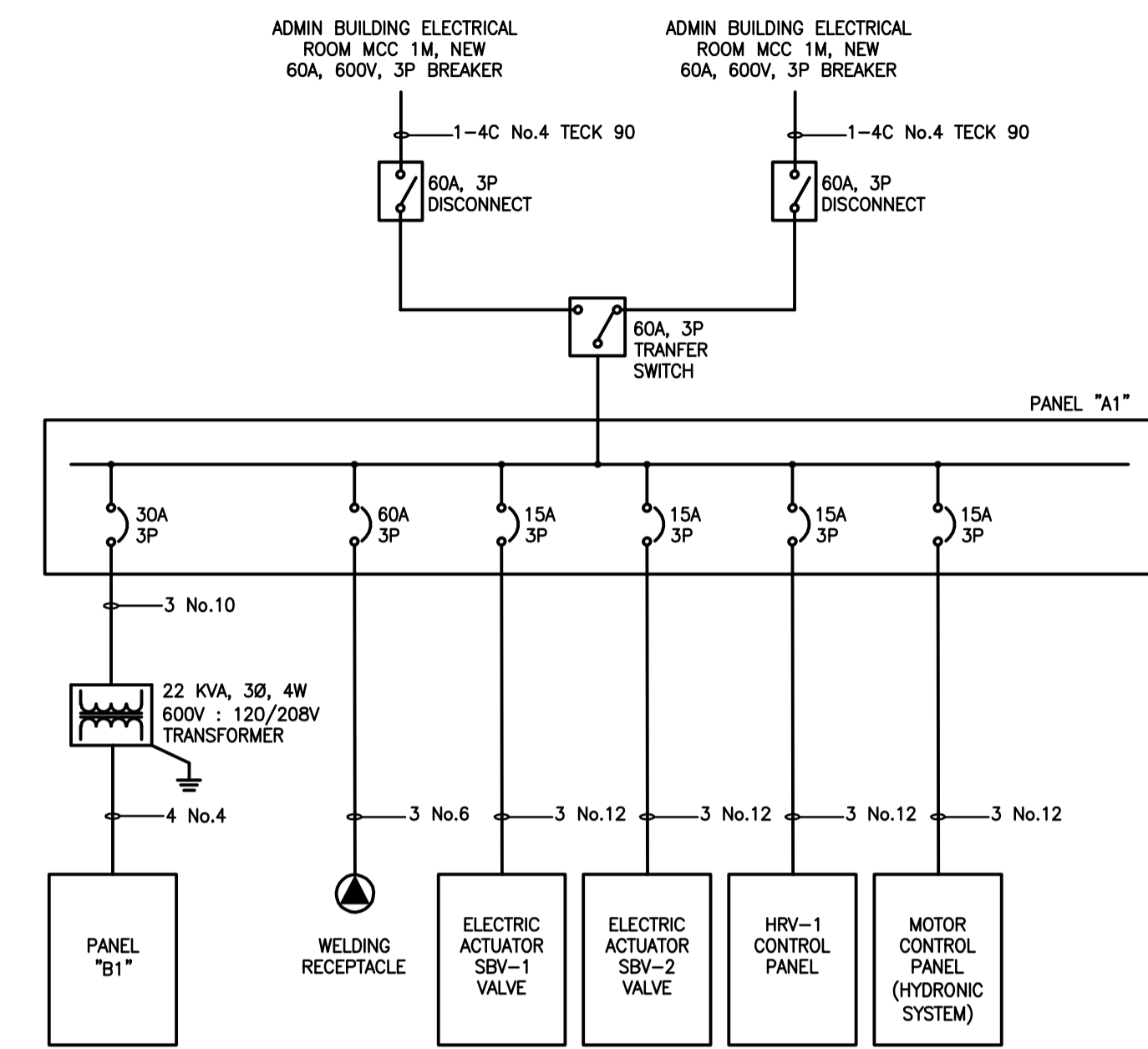
HAILED WASTEWATER BUILDING FLOOR PLAN



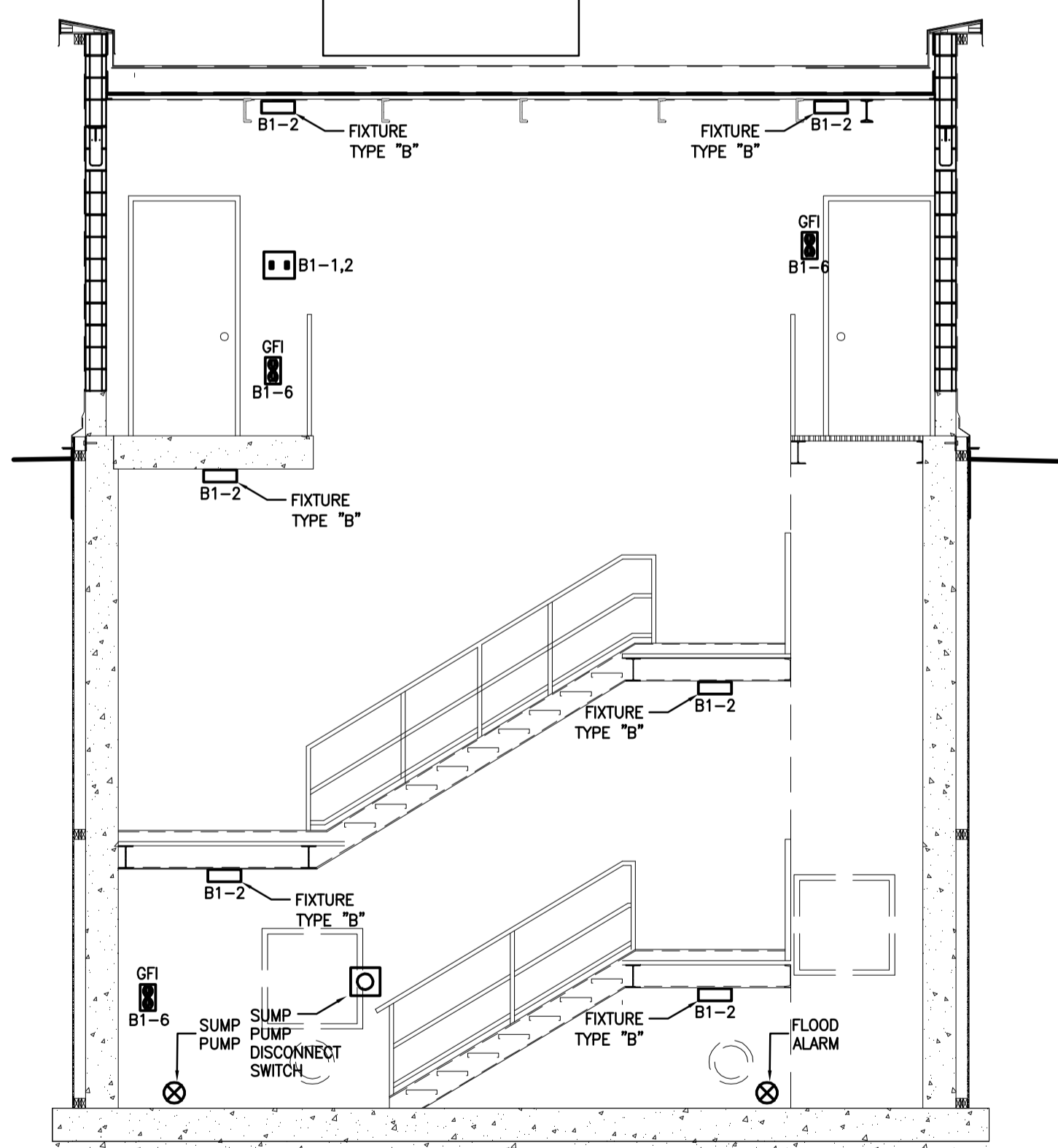
ENTRANCE ROOM



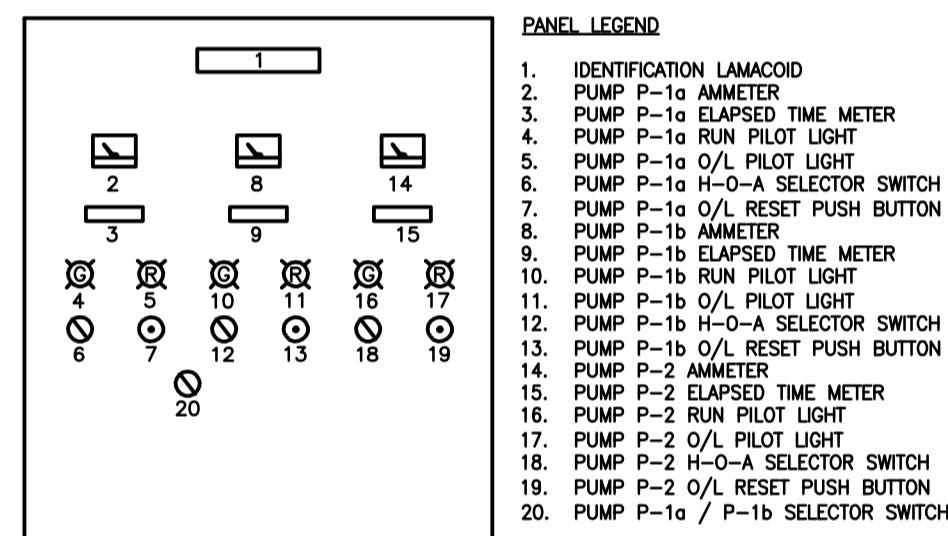
HYDRONIC SYSTEM SINGLE LINE DIAGRAM



HAILED WASTEWATER BUILDING SINGLE LINE DIAGRAM



HAILED WASTEWATER BUILDING SECTION



- PANEL LEGEND**
- IDENTIFICATION LAMACOID
 - PUMP P-1a AMMETER
 - PUMP P-1a ELAPSED TIME METER
 - PUMP P-1a RUN PILOT LIGHT
 - PUMP P-1a O/L PILOT LIGHT
 - PUMP P-1a H-O-A SELECTOR SWITCH
 - PUMP P-1a O/L RESET PUSH BUTTON
 - PUMP P-1b AMMETER
 - PUMP P-1b ELAPSED TIME METER
 - PUMP P-1b RUN PILOT LIGHT
 - PUMP P-1b O/L PILOT LIGHT
 - PUMP P-1b H-O-A SELECTOR SWITCH
 - PUMP P-1b O/L RESET PUSH BUTTON
 - PUMP P-2 AMMETER
 - PUMP P-2 ELAPSED TIME METER
 - PUMP P-2 RUN PILOT LIGHT
 - PUMP P-2 O/L PILOT LIGHT
 - PUMP P-2 H-O-A SELECTOR SWITCH
 - PUMP P-2 O/L RESET PUSH BUTTON
 - PUMP P-1a / P-1b SELECTOR SWITCH

MOTOR CONTROL PANEL TO CONTAIN:

- MOTOR STARTERS FOR PUMPS P-1a, P-1b AND P-2.
- TRANSFORMERS 120V/24V FOR BELIMO ACTUATORS FOR CV-1, CV-1 AND CV-2.

NOTES:

- ON-OFF BELIMO ACTUATORS CV-1 CONTROLLED BY UH-1 THERMOSTATS.
- MODULATING BELIMO ACTUATOR CV-2 CONTROLLED BY DCS.

MOTOR CONTROL PANEL (HYDRONIC SYSTEM) PROPOSED LAYOUT

No.	HP	DESCRIPTION	VOLTS	Ø	STARTER TYPE	STARTER LOCATION	CONTROL	FEEDER
SBV-1	F.R.	VALVE SBV-1 ACTUATOR	600	3	-	-	AS SHOWN	3 No.12
SBV-2	F.R.	VALVE SBV-2 ACTUATOR	600	3	-	-	AS SHOWN	3 No.12
CV-1	F.R.	CONTROL VALVE CV-1 ACTUATOR	24	1	-	-	AS SHOWN	2 No.12
CV-2	F.R.	CONTROL VALVE CV-2 ACTUATOR	24	1	-	-	AS SHOWN	2 No.12
HRV-1a	1.5	HRV-1 SUPPLY FAN	600	3	FVNR	HRV-1 PANEL	AS SHOWN	3 No.12
HRV-1b	1	HRV-1 RETURN FAN	600	3	FVNR	HRV-1 PANEL	AS SHOWN	3 No.12
P-1a	0.75	BOILER PUMP	600	3	FVNR	MOTOR CTR'L PANEL	AS SHOWN	3 No.12
P-1b	0.75	BOILER PUMP	600	3	FVNR	MOTOR CTR'L PANEL	AS SHOWN	3 No.12
P-2	0.75	PAD LOOP PUMP	600	3	FVNR	MOTOR CTR'L PANEL	AS SHOWN	3 No.12
SMP-1	0.5	SUMP PUMP	120	1	-	-	AS SHOWN	2 No.12
UH-1	0.25	HYDRONIC UNIT HEATER UH-1	120	1	-	-	AS SHOWN	2 No.12
DWH-1	3kW	ELECTRIC WATER HEATER	208	3	-	-	INTEGRAL T-STAT	3 No.12
EF-1	0.5	EXHAUST FAN EF-1	208	3	-	-	AS SHOWN	3 No.12
OD-1	0.5	ELECTRIC OXIDIZER OD-1	120	1	-	-	AS SHOWN	2 No.12

SEWPCC HAILED WASTEWATER BUILDING MOTOR SCHEDULE

DESCRIPTION	347/600V, 3Ø, 4W			100 MAINS		
	LOC	BRK	DISC	A	B	C
TRANSFORMER 22kVA, 600/120-208V	1					2
VALVE SBV-1 ELECTRIC ACTUATOR	3	30				4
	5					6
	7					8
VALVE SBV-2 ELECTRIC ACTUATOR	9	15				10
	11					12
HEAT RECOVERY VENTILATOR HRV-1 CONTROL PANEL	13					14
	15	15				60
WELDING RECEPTACLE	17					18
	19	15				15
STREET LIGHTS	21	15				15
	23	15				15
	25	15				15
	27	15				15
	29	15				15

PANEL "A1" SCHEDULE

DESCRIPTION	120/208V, 3Ø, 4W			100A MAINS		
	LOC	BRK	DISC	A	B	C
INDOOR LIGHTING	1	15				15
HOIST	3	20				15
RECEPTACLES	5	15				15
SAMPLER REFRIGERATOR LINE 1	7	20				20
SAMPLER CONTROL PANEL LINE 1	9	15				15
AIR COMPRESSOR	11	60				15
TERMINATION PANEL	13	15				20
SNOW MELTING CONTROL PANEL	15	15				20
HYDRONIC UNIT HEATER UH-1	17	15				15
GATES (LANE 1)	19	15				15
CARD READERS AND MESSAGE DISPLAYS (LANE 1)	21	15				15
SECURITY CAMERAS (LANE 1)	23	15				15
EXHAUST FAN EF-1	25					28
	27	15				15
ELECTRIC WATER HEATER (3kW)	29					30
	31	15				15
	33	15				15
	35	15				15
	37	15				15
	39	15				15
	41	15				15

PANEL "B1" SCHEDULE



LOCATION APPROVED UNDERGROUND STRUCTURES

SUPV. U/G STRUCTURES COMMITTEE DATE

NOTE: LOCATION OF UNDERGROUND STRUCTURES AS SHOWN ARE BASED ON THE BEST INFORMATION AVAILABLE BUT NO GUARANTEE IS GIVEN THAT ALL EXISTING UTILITIES ARE SHOWN OR THAT THE GIVEN LOCATIONS ARE EXACT. CONFIRMATION OF EXISTENCE AND EXACT LOCATION OF ALL SERVICES MUST BE OBTAINED FROM THE INDIVIDUAL UTILITIES BEFORE PROCEEDING WITH CONSTRUCTION.

NO.	REVISIONS	DATE	BY
A	ISSUED FOR TENDER	10.02.16	S.T.

Stantec Consulting Ltd.
 905 Waverley Street, Winnipeg, Manitoba
 Tel 204-489-5900 Fax 204-453-9012

DESIGNED BY: S.T. CHECKED BY: D.D.
 DRAWN BY: S.T. APPROVED BY: -
 HOR. SCALE: - RELEASED FOR CONSTRUCTION: -
 VERTICAL: - DATE: 09.11.20

ENGINEER'S SEAL
 TENDER NO. 822-2009

THE CITY OF WINNIPEG
 WATER AND WASTE DEPARTMENT

Winnipeg

SOUTH END WATER POLLUTION CONTROL CENTRE
 HAILED WASTEWATER RECEIVING FACILITIES
 HAILED WASTEWATER RECEIVING BUILDING

FLOOR PLAN, SINGLE LINE DIAGRAM, PANEL SCHEDULES

CITY DRAWING NUMBER: I-0102A-E0015-001 SHEET 1 OF 1