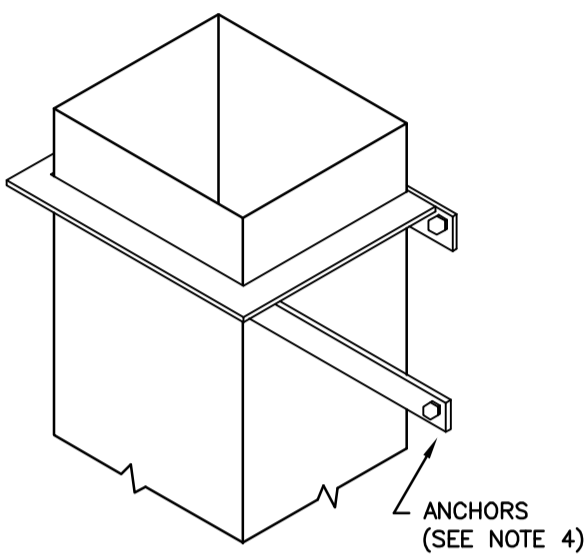


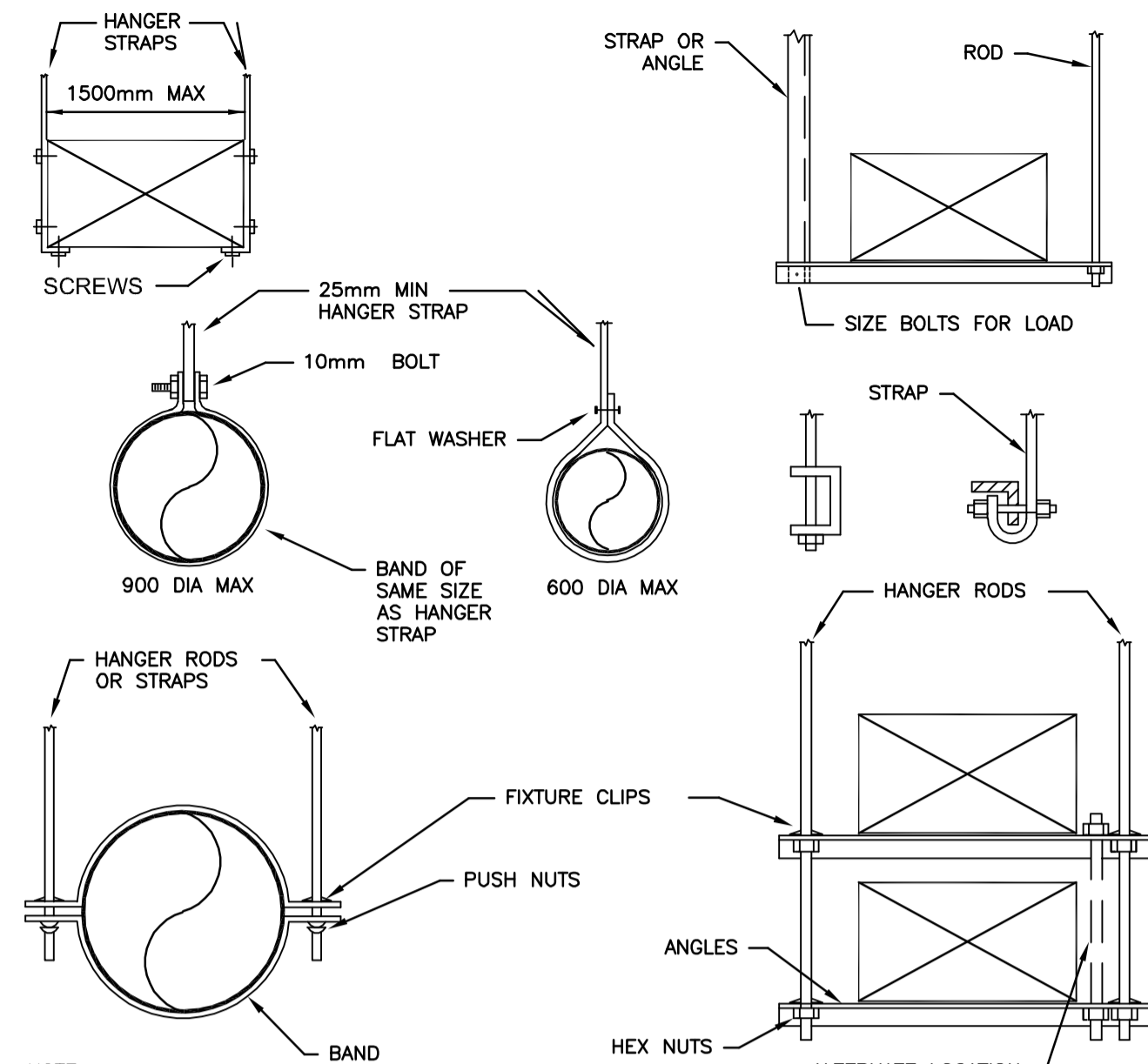
TYPICAL SIZING:
 DUCT SIZE: 25x25x3, 30x30x3
 ANGLE: 900x450, 1200x750
ANGLE MATERIALS:
 TYPE 316L STAINLESS STEEL



- NOTE:**
- BRACKETS ARE SIZED FOR 3600mm OF DUCT MAX.
 - LOCATE DUCTS AGAINST WALL OR MAX OF 50mm AWAY FROM WALL.
 - EACH WALL ANCHOR SHALL SATISFY THE FOLLOWING:
 - TENSILE LOAD = 9 x DUCT WEIGHT; SAFETY FACTOR OF 4
 - SHEAR LOAD = 15 x DUCT WEIGHT; SAFETY FACTOR OF 4
 - SECURE WITH STAINLESS STEEL ANCHORS, BOLTS, NUTS, AND WASHERS.

9 DUCT SUPPORT FROM WALL DETAIL

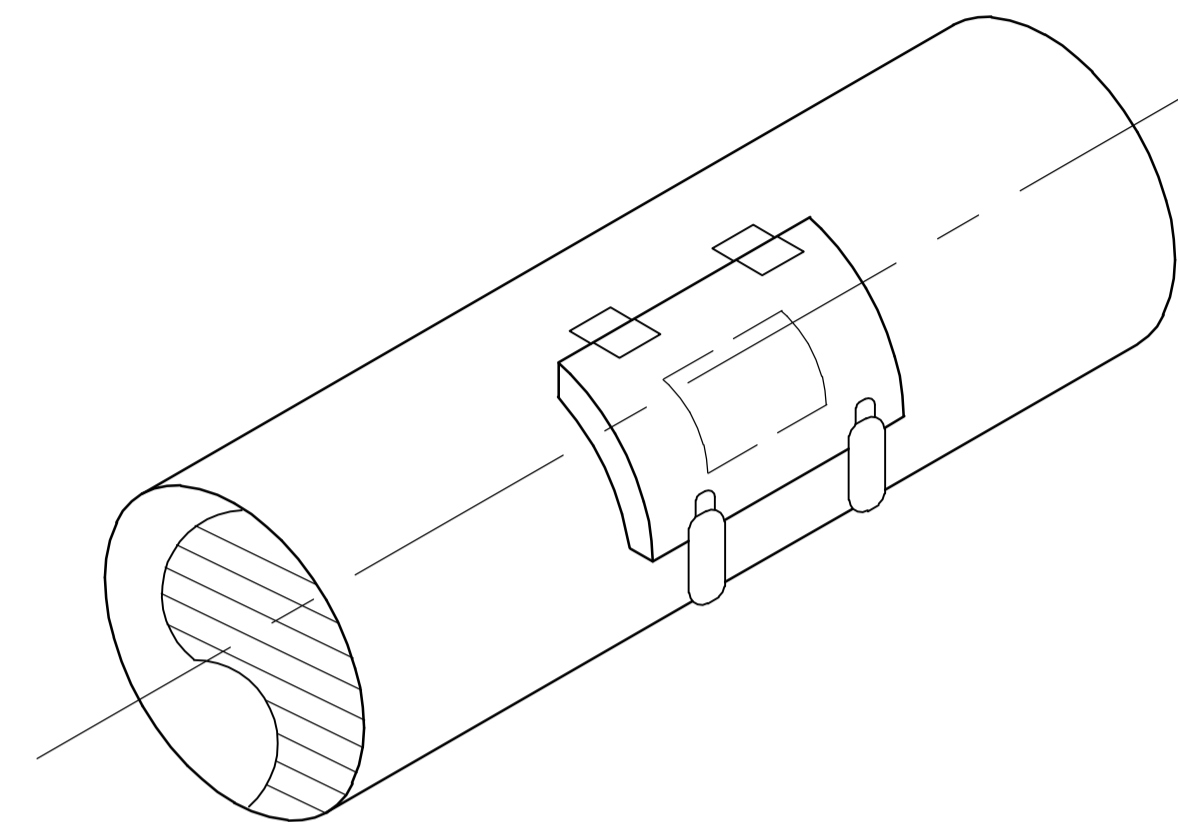
M0003 M0005 NTS



- NOTE:**
- REINFORCEMENT MAY BE USED FOR ATTACHMENT IF IT QUALIFIES FOR BOTH DUTIES.
 - DO NOT EXCEED ALLOWABLE LOAD LIMITS.
 - HANGER AND SUPPORT MATERIAL TO BE STAINLESS STEEL.

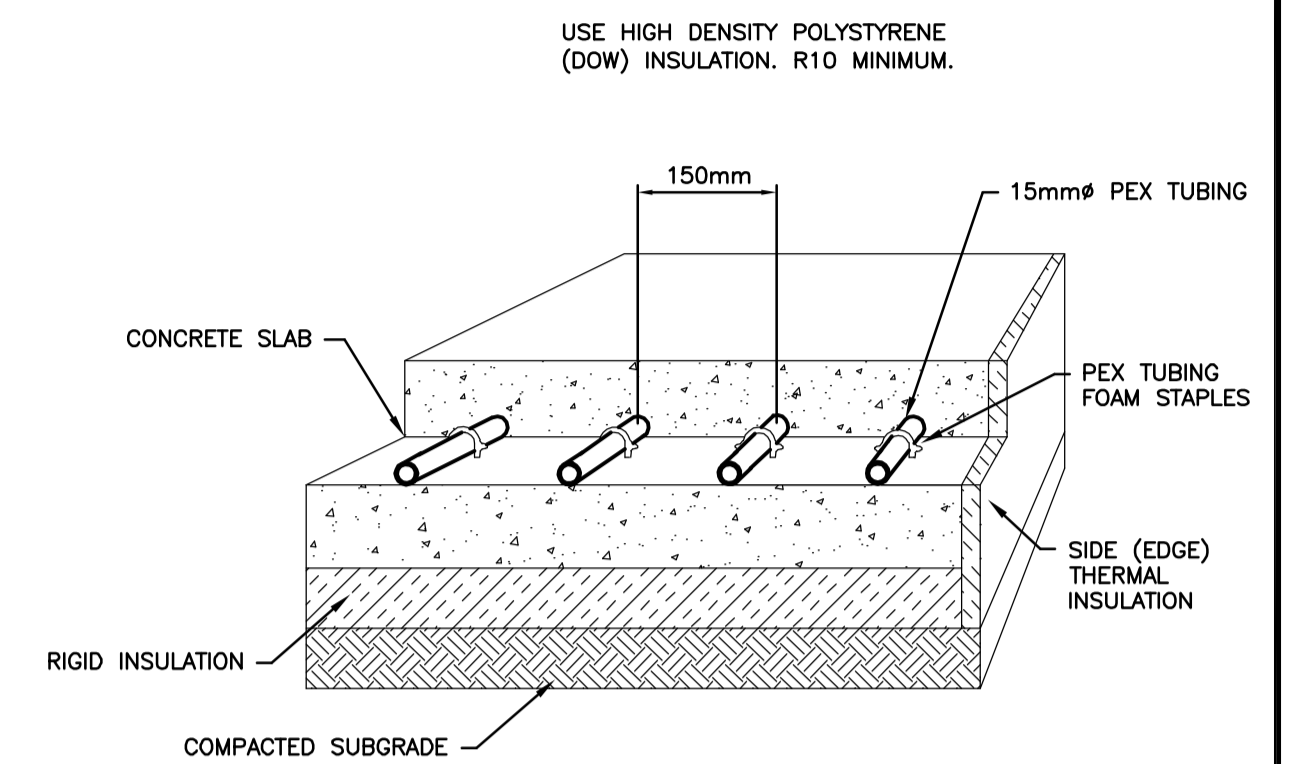
10 DUCT HANGER DETAIL

M0003 M0005 NTS



11 ACCESS DOOR (ROUND DUCT) DETAIL

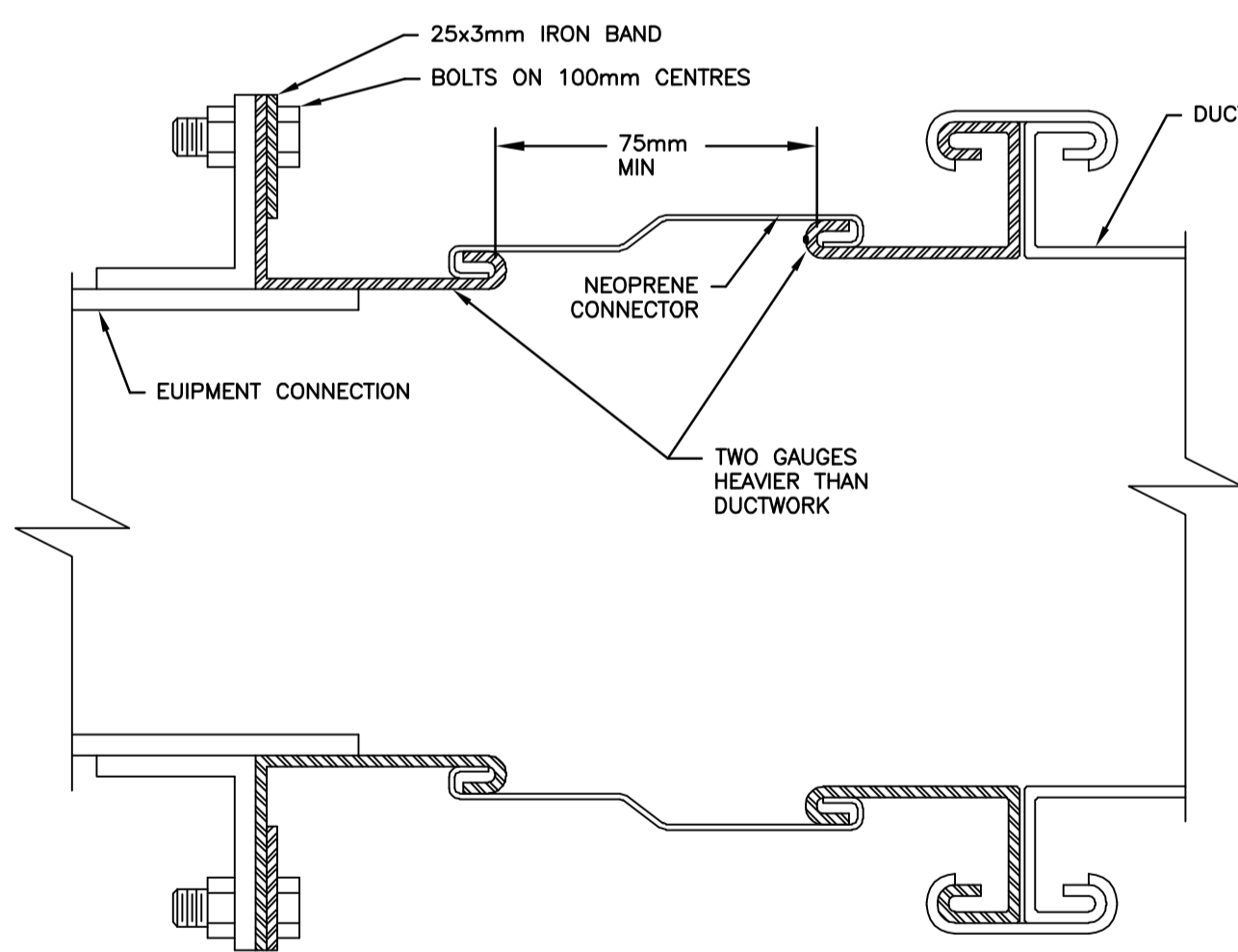
M0003 M0005 NTS



NOTE: FOR INDICATION ONLY

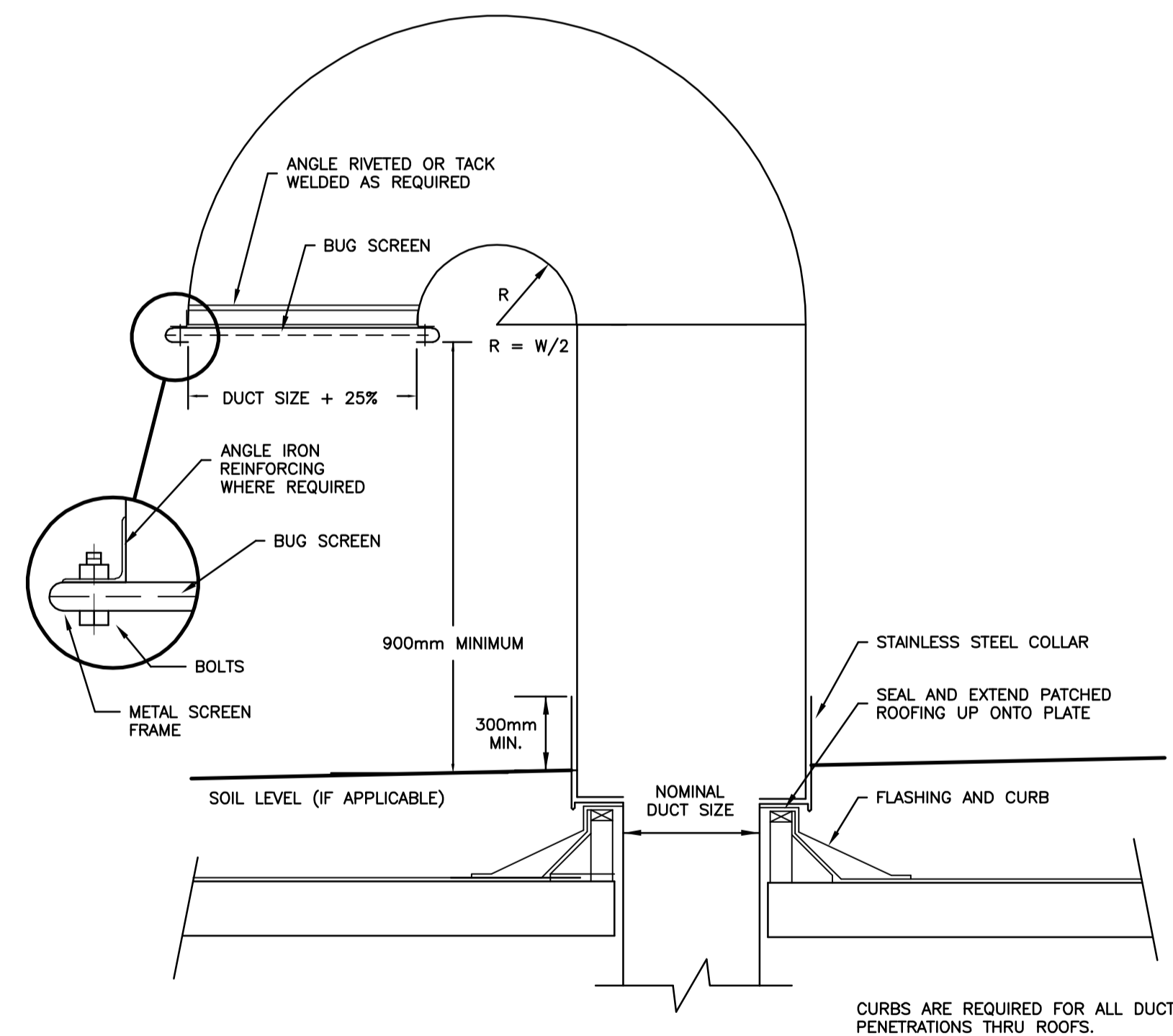
12 IN-SLAB HEATING DETAIL

M0003 M0005 NTS



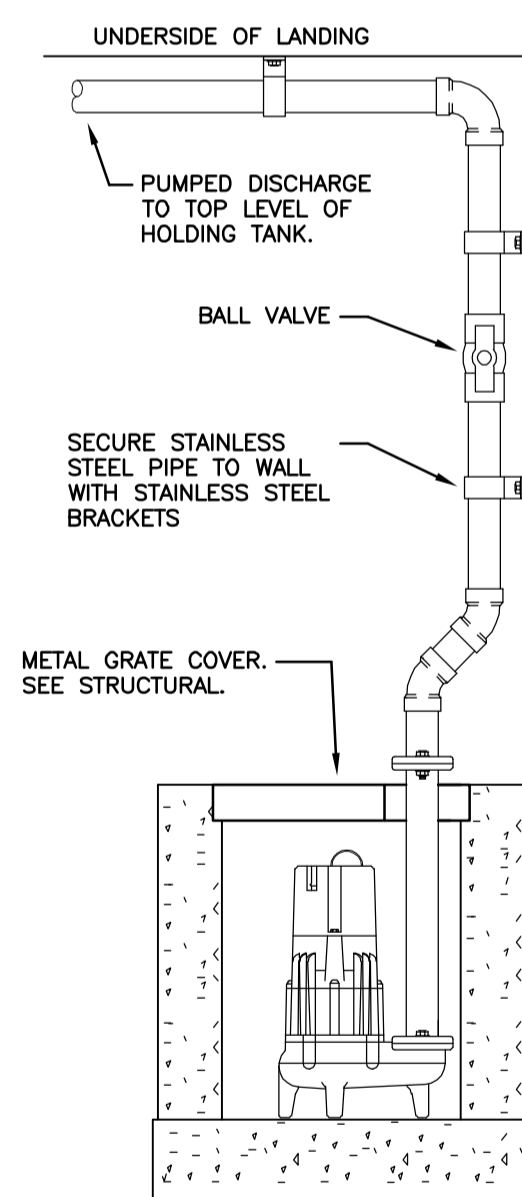
13 FLEXIBLE DUCT CONNECTION DETAIL

M0003 M0005 NTS



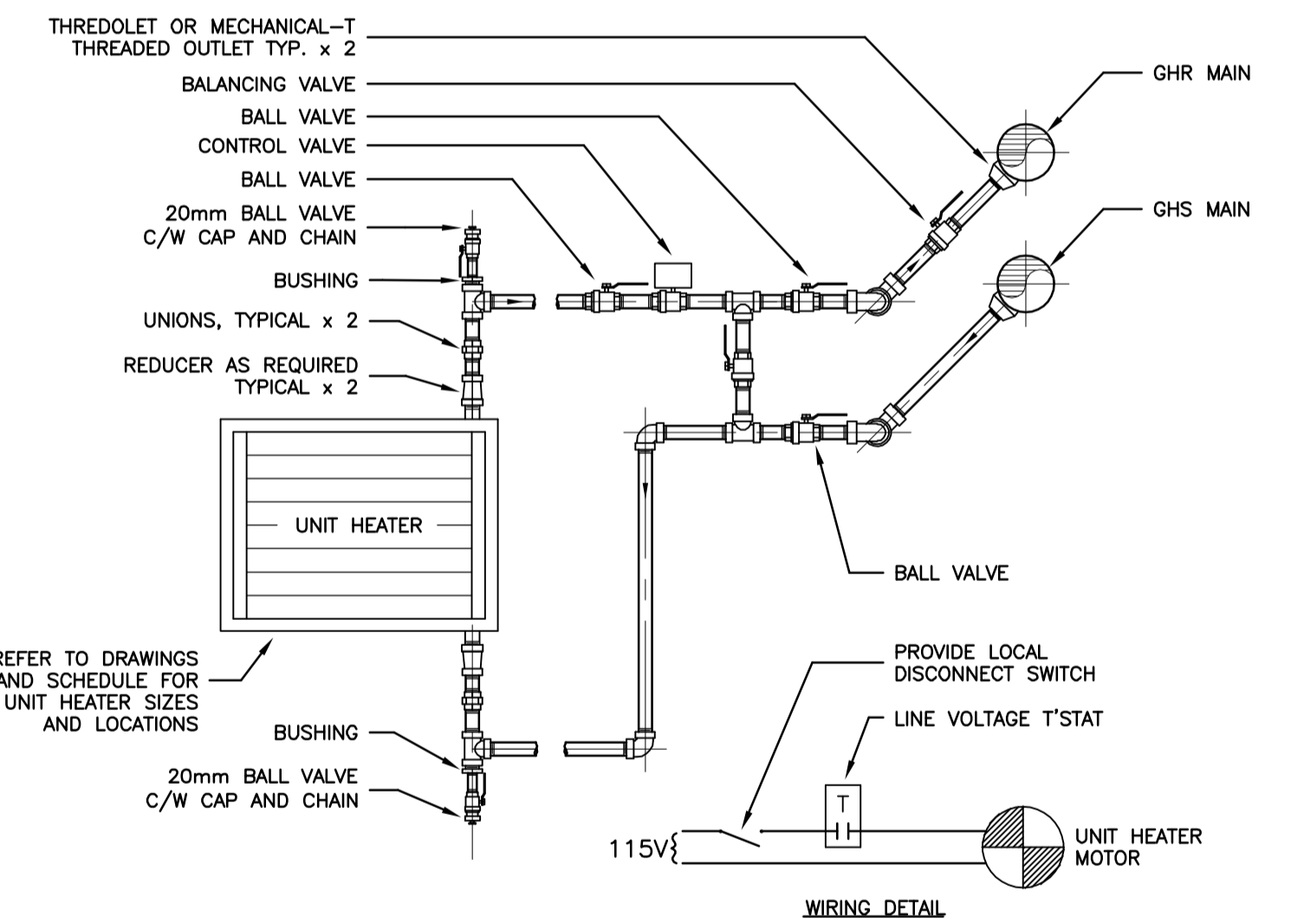
14 TYPICAL GOOSENECK DETAIL

M0003 M0005 NTS



15 SUMP PUMP DETAIL

M0003 M0005 NTS



- NOTES:**
- REFER TO HYDRONIC SYSTEM SCHEMATIC FOR PIPE SIZES.
 - REFER TO UNIT HEATER SHOP DRAWINGS FOR SIZE OF EQUIPMENT CONNECTION.

16 TYPICAL HYDRONIC UNIT HEATER DETAIL

M0003 M0005 NTS

V:\1170\winnipeg\11701830\drawings\04_mechanical\sheet_files\mechanical\liquid_waste_e_a\1170_0502.dwg 2009-11-24 09:28AM By: jiang

LOCATION APPROVED UNDERGROUND STRUCTURES

SUPV. U/G STRUCTURES COMMITTEE DATE

NOTE:
 LOCATION OF UNDERGROUND STRUCTURES AS SHOWN ARE BASED ON THE BEST INFORMATION AVAILABLE BUT NO GUARANTEE IS GIVEN THAT ALL EXISTING UTILITIES ARE SHOWN OR THAT THE GIVEN LOCATIONS ARE EXACT. CONFIRMATION OF EXISTENCE AND EXACT LOCATION OF ALL SERVICES MUST BE OBTAINED FROM THE INDIVIDUAL UTILITIES BEFORE PROCEEDING WITH CONSTRUCTION.

APECM
 Certificate of Authorization
 Stantec Consulting Ltd.
 No. 1301 Date: _____

B.M. ELEV.	DATE	BY
A	ISSUED FOR TENDER	10.02.16 L.W.
NO.	REVISIONS	DATE BY

Stantec Consulting Ltd.
 905 Waverley Street, Winnipeg, Manitoba
 Tel 204-489-5900 Fax 204-453-9012

DESIGNED BY: L.W.	CHECKED BY: A.B.
DRAWN BY: J.L.T.	APPROVED BY: A.B.
HOR. SCALE: AS NOTED	RELEASED FOR CONSTRUCTION: DATE
VERTICAL: DATE 09.11.13	DATE

ENGINEER'S SEAL
 BID OPPORTUNITY NO. 822-2009

THE CITY OF WINNIPEG
 WATER AND WASTE DEPARTMENT
Winnipeg

**SOUTH END WATER POLLUTION CONTROL FACILITIES
 HAULED WASTEWATER RECEIVING FACILITIES
 HAULED WASTEWATER RECEIVING BUILDING
 MECHANICAL DETAILS**

CITY DRAWING NUMBER: 1-0102A-M0005-002
 SHEET 2 OF 2