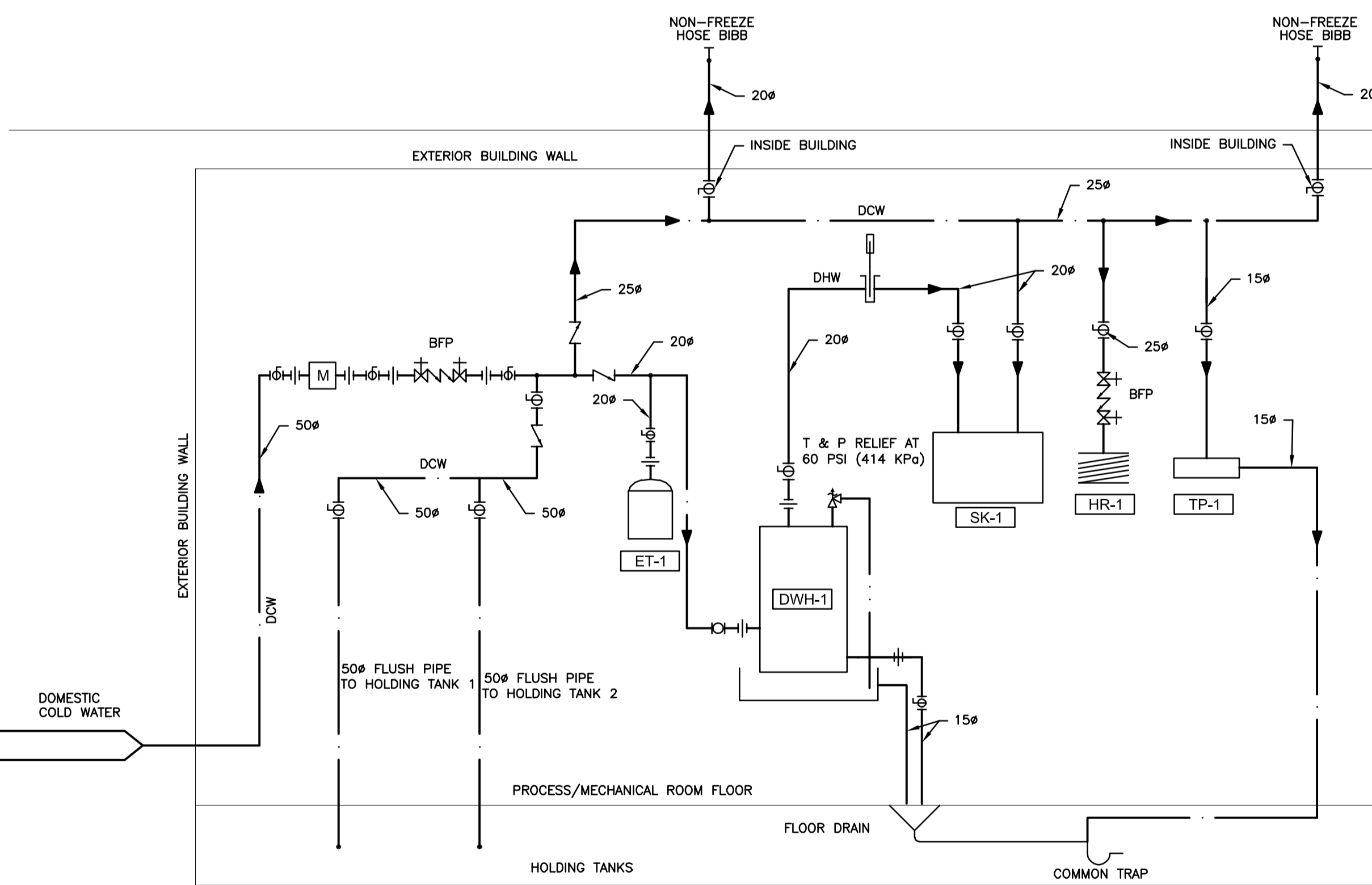
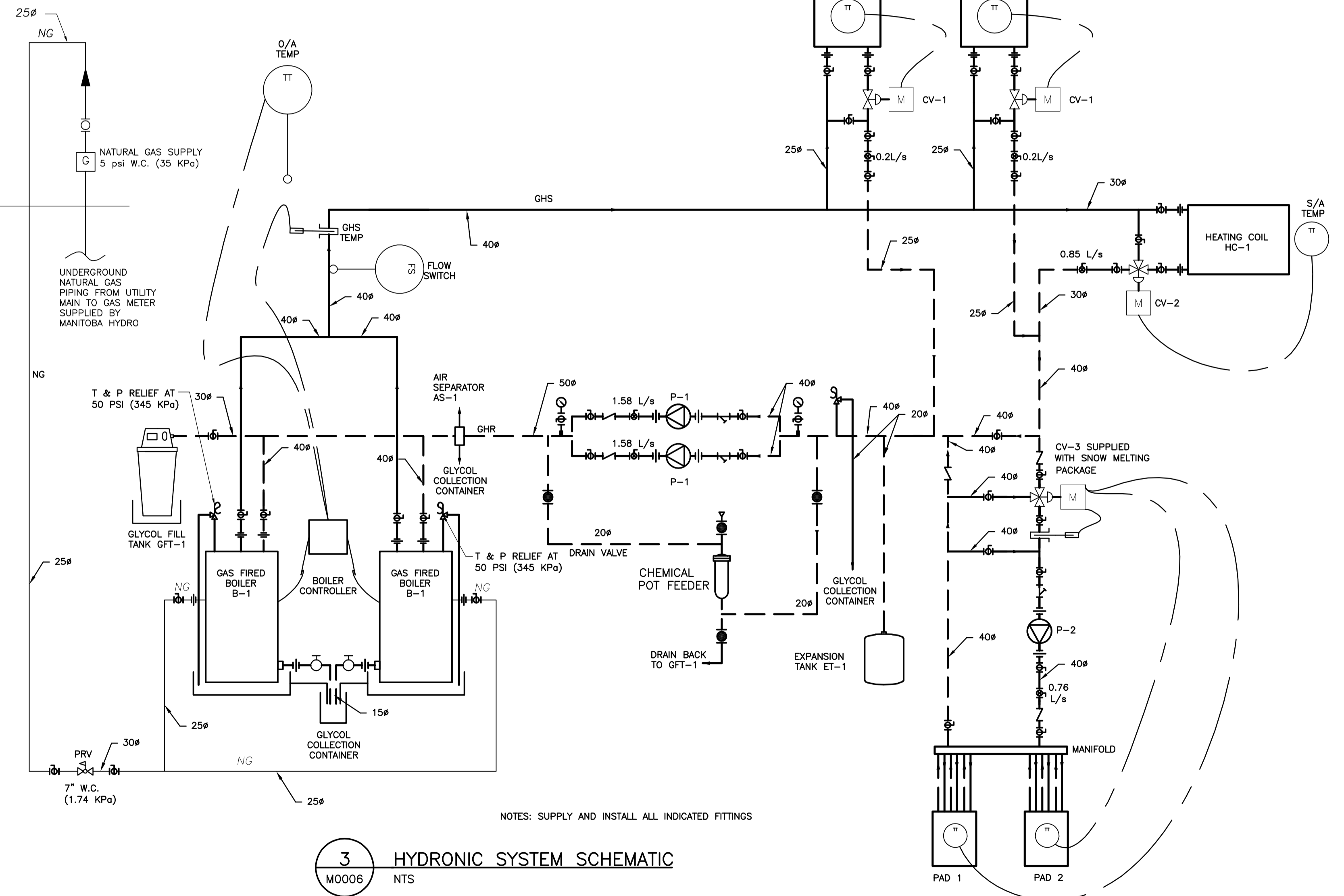


1 HEAT RECOVERY VENTILATOR SYSTEM SCHEMATIC  
M0006 NTS



2 DOMESTIC WATER SYSTEM SCHEMATIC  
M0006 NTS



3 HYDRONIC SYSTEM SCHEMATIC  
M0006 NTS

NOTES: SUPPLY AND INSTALL ALL INDICATED FITTINGS

NOTES: SUPPLY AND INSTALL ALL INDICATED FITTINGS

LOCATION APPROVED UNDERGROUND STRUCTURES

SUPV. U/G STRUCTURES COMMITTEE DATE

NOTE: LOCATION OF UNDERGROUND STRUCTURES AS SHOWN ARE BASED ON THE BEST INFORMATION AVAILABLE BUT NO GUARANTEE IS GIVEN THAT ALL EXISTING UTILITIES ARE SHOWN OR THAT THE GIVEN LOCATIONS ARE EXACT. CONFIRMATION OF EXISTENCE AND EXACT LOCATION OF ALL SERVICES MUST BE OBTAINED FROM THE INDIVIDUAL UTILITIES BEFORE PROCEEDING WITH CONSTRUCTION.

B.M. ELEV.			
A	ISSUED FOR TENDER	10.02.16	L.W.
NO.	REVISIONS	DATE	BY

Stantec Consulting Ltd.  
905 Waverley Street, Winnipeg, Manitoba  
Tel 204-489-5900 Fax 204-453-9012

DESIGNED BY	L.W.	CHECKED BY	A.B.
DRAWN BY	J.L.T.	APPROVED BY	A.B.
HOR. SCALE:	AS NOTED	RELEASED FOR CONSTRUCTION:	
VERTICAL:		DATE	
DATE	09.11.13	DATE	

ENGINEER'S SEAL

THE CITY OF WINNIPEG  
WATER AND WASTE DEPARTMENT

SOUTH END WATER POLLUTION CONTROL FACILITIES  
HAULED WASTEWATER RECEIVING FACILITIES  
HAULED WASTEWATER RECEIVING BUILDING  
MECHANICAL SYSTEM SCHEMATICS

BID OPPORTUNITY NO.	822-2009	CITY DRAWING NUMBER	1-0102A-M0006-001	SHEET	1	OF	1
---------------------	----------	---------------------	-------------------	-------	---	----	---

APECM  
Certificate of Authorization  
Stantec Consulting Ltd.  
No. 1301 Date: