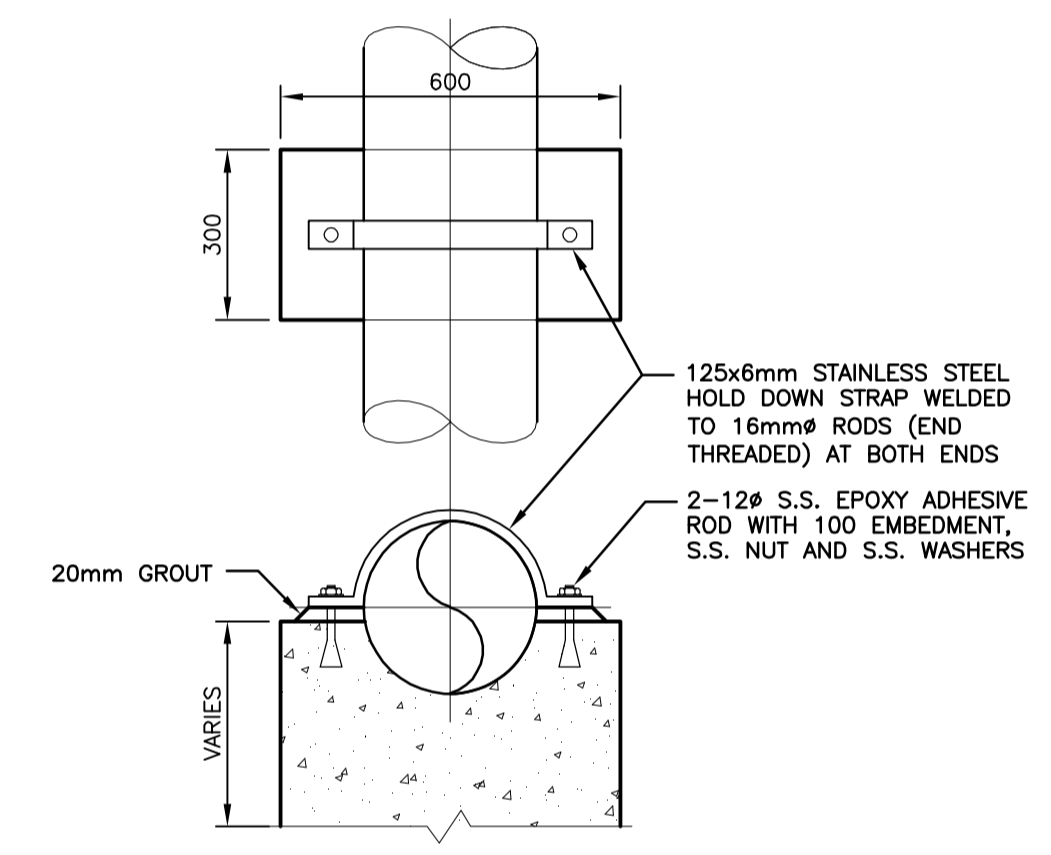


TYPICAL PIPE SUPPORT DETAILS
N.T.S.



2 P0003 TYPICAL DETAIL 1:20

- NOTE:
- 1 ALL PIPE TO BE IPS TYPE 316L STAINLESS STEEL -SCHEDULE 10S
 - 2 VICTAULIC STEEL RIGID COUPLING
 - 3 ELECTRIC ACTUATED BALL VALVE
 - 4 CONCRETE PIPE SUPPORT
 - 5 LEAN MIX CONCRETE FILL REFER TO STRUCTURAL DRAWING S0007
 - 6 ALUMINUM BAYCO FITTING C/W CAP

1 P0003 PLAN 1:20

METRIC
 WHOLE NUMBERS INDICATE MILLIMETRES
 DECIMALIZED NUMBERS INDICATE METRES

APEGM
 Certificate of Authorization
 Stantec Consulting Ltd.
 No. 1301 Date: _____

LOCATION APPROVED UNDERGROUND STRUCTURES

SUPV. U/G STRUCTURES COMMITTEE DATE _____

NOTE:
 LOCATION OF UNDERGROUND STRUCTURES AS SHOWN ARE BASED ON THE BEST INFORMATION AVAILABLE BUT NO GUARANTEE IS GIVEN THAT ALL EXISTING UTILITIES ARE SHOWN OR THAT THE GIVEN LOCATIONS ARE EXACT. CONFIRMATION OF EXISTENCE AND EXACT LOCATION OF ALL SERVICES MUST BE OBTAINED FROM THE INDIVIDUAL UTILITIES BEFORE PROCEEDING WITH CONSTRUCTION.

B.M. ELEV.	NO.	REVISIONS	DATE	BY
	A	ISSUED FOR TENDER	10.02.16	A.H.B

Stantec Consulting Ltd.
 905 Waverley Street, Winnipeg, Manitoba
 Tel 204-489-5900 Fax 204-453-9012

DESIGNED BY	A.H.B.	CHECKED BY	E.W.
DRAWN BY	K.R.	APPROVED BY	A.H.B.
HOR. SCALE:	AS NOTED	RELEASED FOR CONSTRUCTION:	
VERTICAL:		DATE	09.09.21

ENGINEER'S SEAL

TENDER NO. **822-2009**

THE CITY OF WINNIPEG
 WATER AND WASTE DEPARTMENT

Winnipeg

SOUTH END WATER POLLUTION CONTROL CENTRE
 HAULED WASTEWATER RECEIVING FACILITIES
HAULED WASTEWATER RECEIVING BUILDING
 LOWER FLOOR PLAN AND DETAILS

CITY DRAWING NUMBER **I-0102A-P0003-001**

SHEET **3** OF **3**