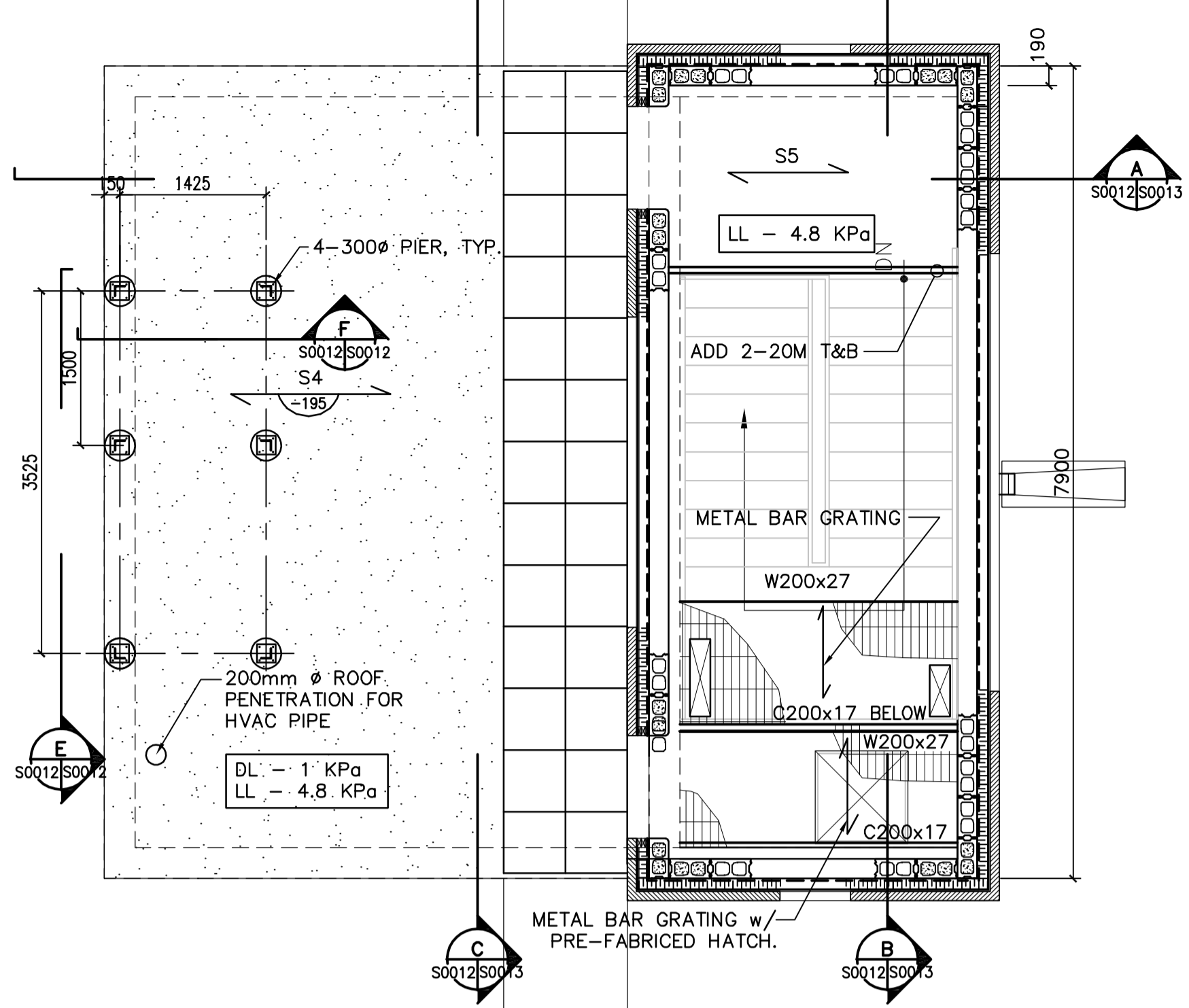


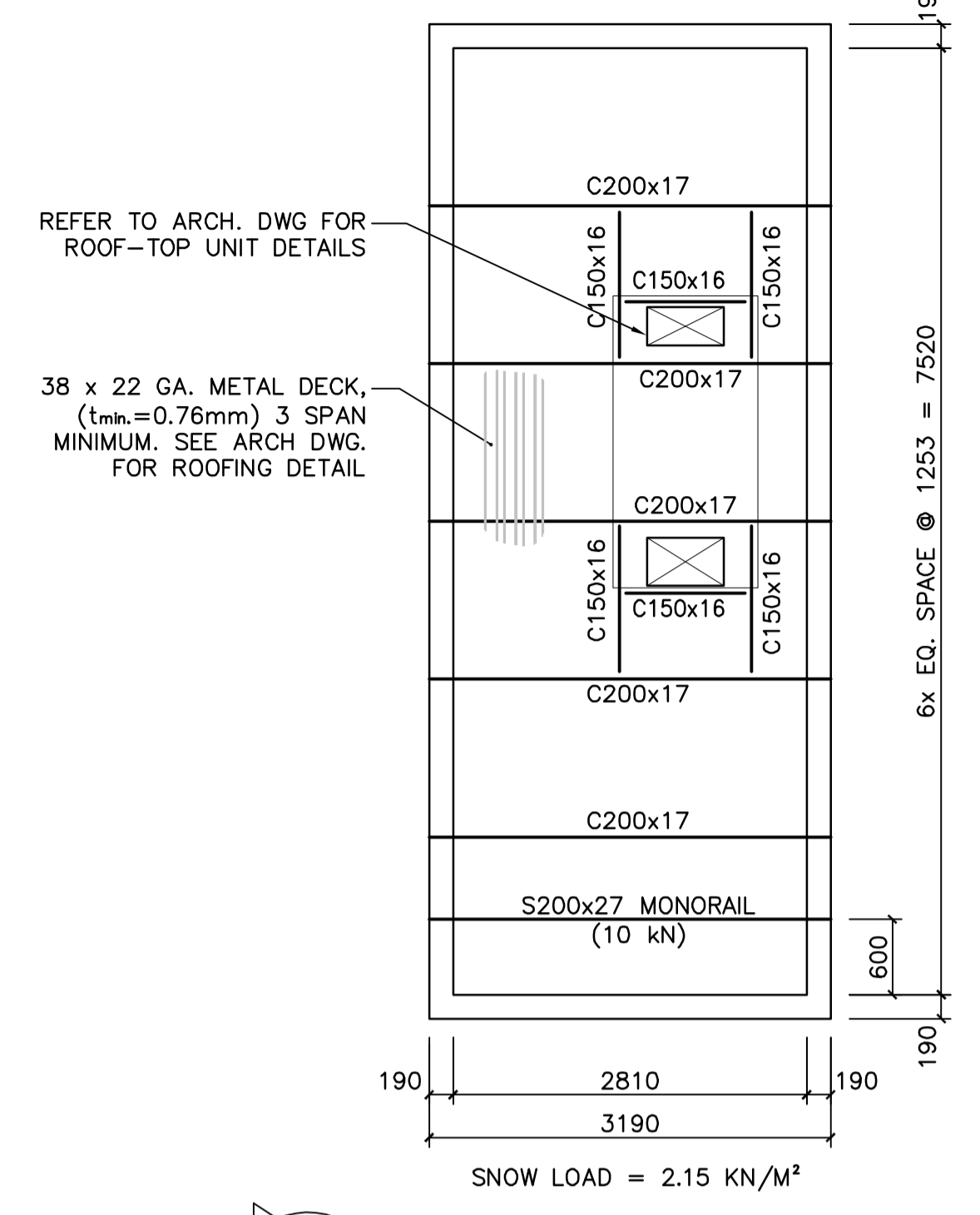
1 LEVEL 2 - BELOW GRADE
S0012 S0012 1:50

NOTE:
REFER TO PROCESS/MECHANICAL DRAWINGS FOR PIPE PENETRATION TYPE - CORE DRILLED OR EMBEDDED FLANGE TYPES. PROVIDE ADDITIONAL REBAR AROUND PIPE PENETRATION AS SHOWN ON TYPICAL DETAIL DRAWING. FOR CORE DRILLED TYPE, MARK CENTER OF PIPE PENETRATION ON THE INSIDE FACE OF WALL. CO-ORDINATE PIPE LOCATION SO THAT NO REBAR IS CUT DURING CORE DRILL.

LL - (EQUIPMENT ROOM) = 7.2 KPa
LL - (STAIR & LANDING) = 4.8 KPa



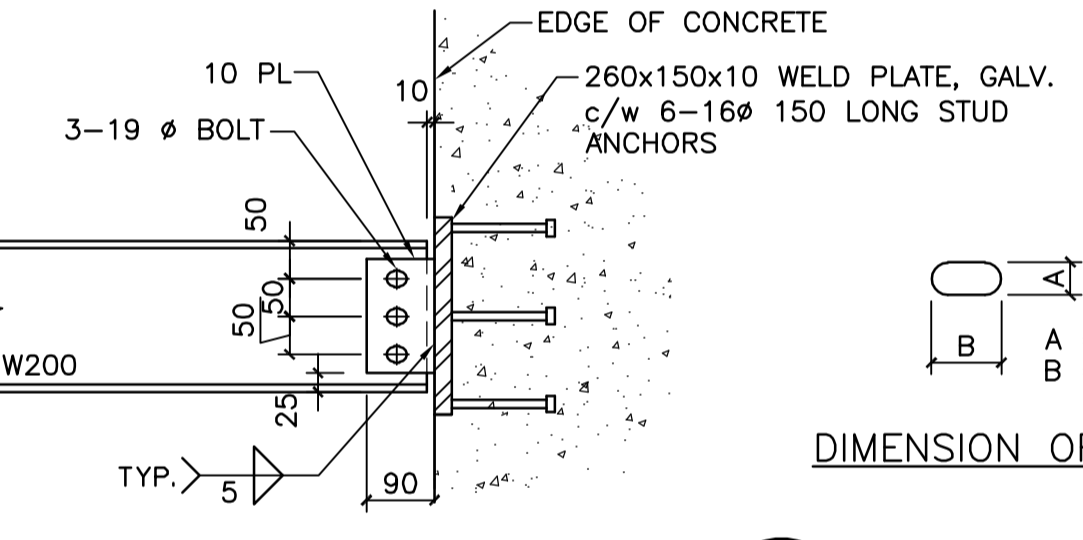
2 LEVEL 1 - GRADE
S0012 S0012 1:50



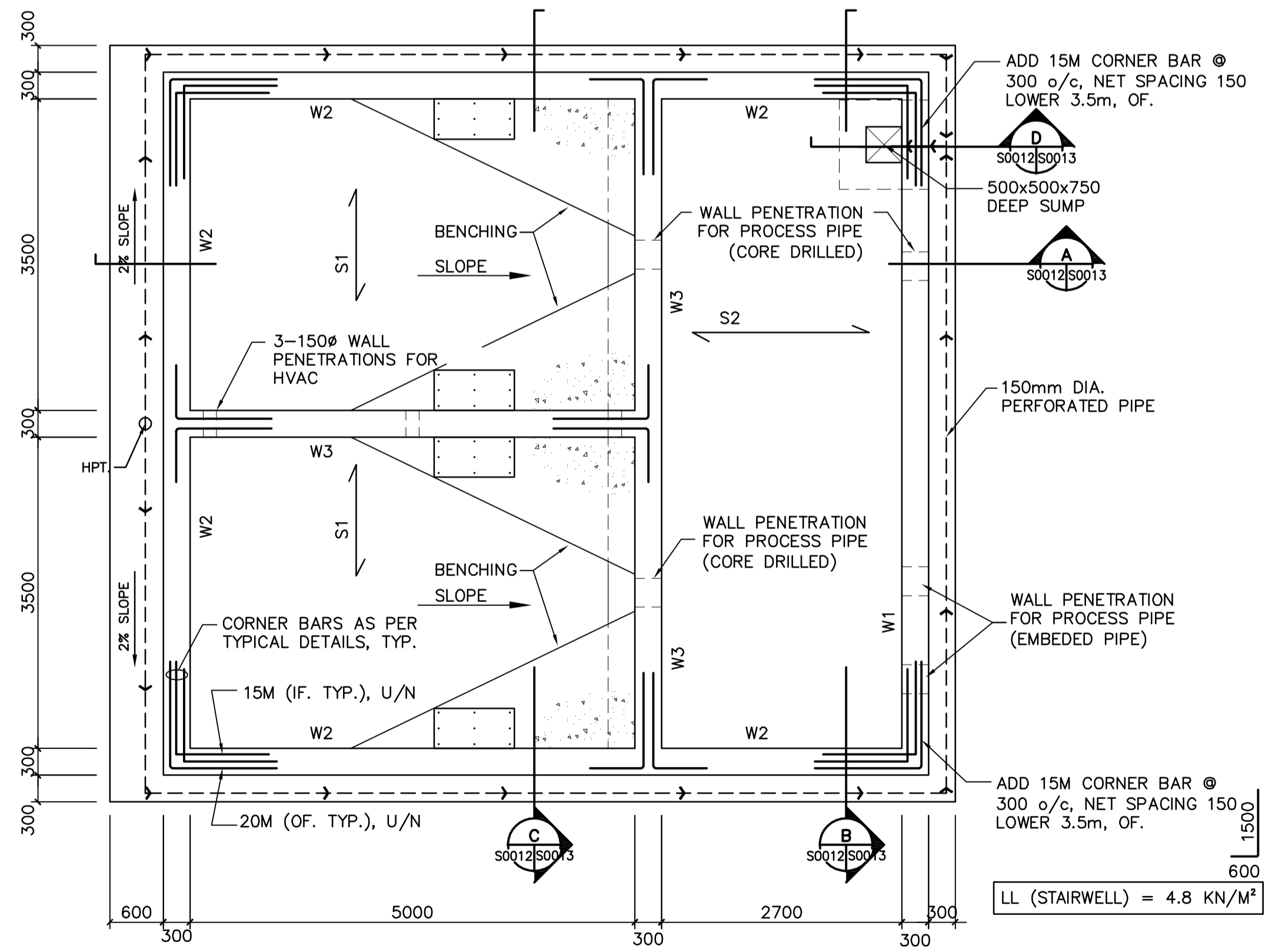
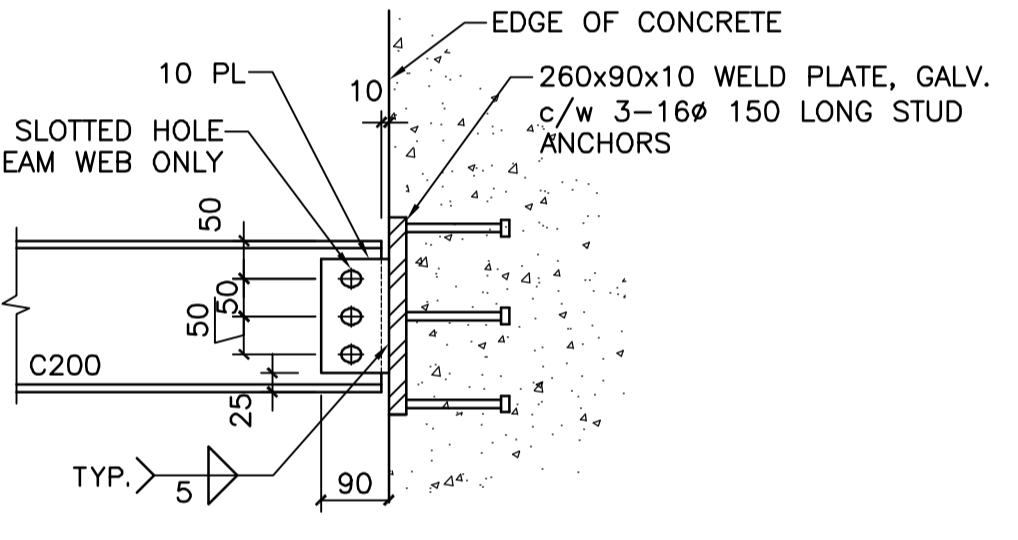
3 ROOF PLAN
S0012 S0012 1:50

REFER TO ARCH. DWG FOR ROOF-TOP UNIT DETAILS
38 x 22 GA. METAL DECK, (t_{min} = 0.76mm) 3 SPAN MINIMUM. SEE ARCH DWG. FOR ROOFING DETAIL
SNOW LOAD = 2.15 KN/M²

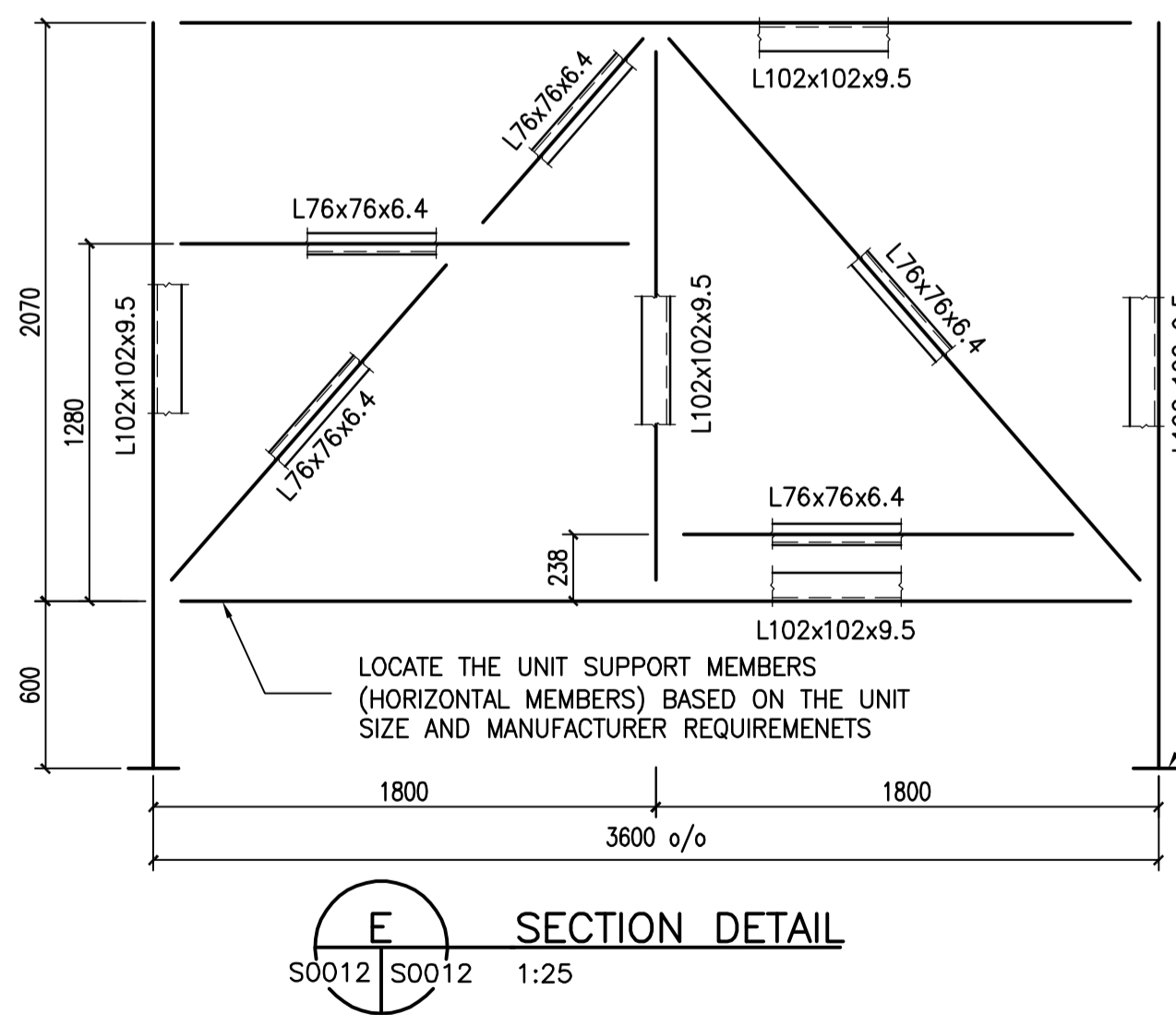
NOTE: ALL STRUCTURAL STEEL MEMBERS ARE HOT DIP GALVANIZED.



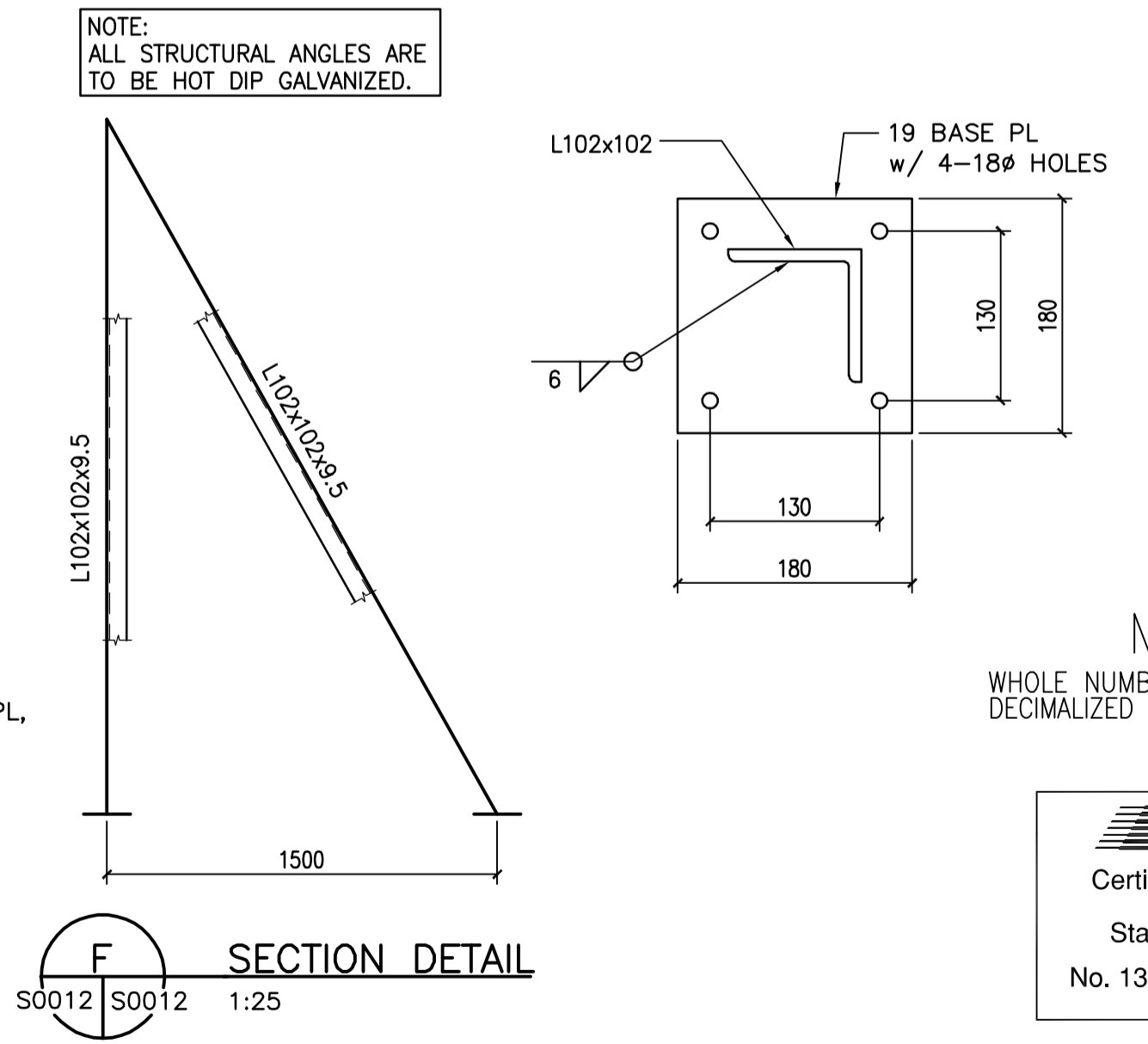
5 SECTION DETAIL - STEEL BEAM CONNECTION
S0012 S0012 1:10



4 FOUNDATION PLAN
S0012 S0012 1:50



E SECTION DETAIL
S0012 S0012 1:25



F SECTION DETAIL
S0012 S0012 1:25

METRIC
WHOLE NUMBERS INDICATE MILLIMETRES
DECIMALIZED NUMBERS INDICATE METRES

APECM
Certificate of Authorization
Stantec Consulting Ltd.
No. 1301 Date: _____

LOCATION APPROVED UNDERGROUND STRUCTURES

SUPV. U/G STRUCTURES COMMITTEE	DATE
NOTE: LOCATION OF UNDERGROUND STRUCTURES AS SHOWN ARE BASED ON THE BEST INFORMATION AVAILABLE BUT NO GUARANTEE IS GIVEN THAT ALL EXISTING UTILITIES ARE SHOWN OR THAT THE GIVEN LOCATIONS ARE EXACT. CONFIRMATION OF EXISTENCE AND EXACT LOCATION OF ALL SERVICES MUST BE OBTAINED FROM THE INDIVIDUAL UTILITIES BEFORE PROCEEDING WITH CONSTRUCTION.	
A ISSUED FOR TENDER	10.02.16 WO
NO. REVISIONS	DATE BY

B.M. ELEV.	

Stantec Consulting Ltd.
905 Waverley Street, Winnipeg, Manitoba
Tel 204-489-5900 Fax 204-453-9012

DESIGNED BY	M.H.	CHECKED BY	T.D.
DRAWN BY	L.L.	APPROVED BY	M.H.
HOR. SCALE:	AS NOTED	RELEASED FOR CONSTRUCTION:	
VERTICAL:		DATE	
	09.11.23		

ENGINEER'S SEAL

BID OPPORTUNITY NO.	822-2009
---------------------	----------

THE CITY OF WINNIPEG
WATER AND WASTE DEPARTMENT

Winnipeg

SOUTH END WATER POLLUTION CONTROL CENTRE
HAULLED WASTEWATER RECEIVING FACILITIES
HAULLED WASTEWATER BUILDING
FOUNDATION, FLOOR AND ROOF PLAN

CITY DRAWING NUMBER: 1-0102A-S0012-001
SHEET 3 OF 4

V:\1170\winnipeg\11701820\winnipeg\404_winning\404_working\sheet_files\structure\foundations\117025-0102A.dwg [5-0000]
 2010-02-17 08:25AM By: wjones