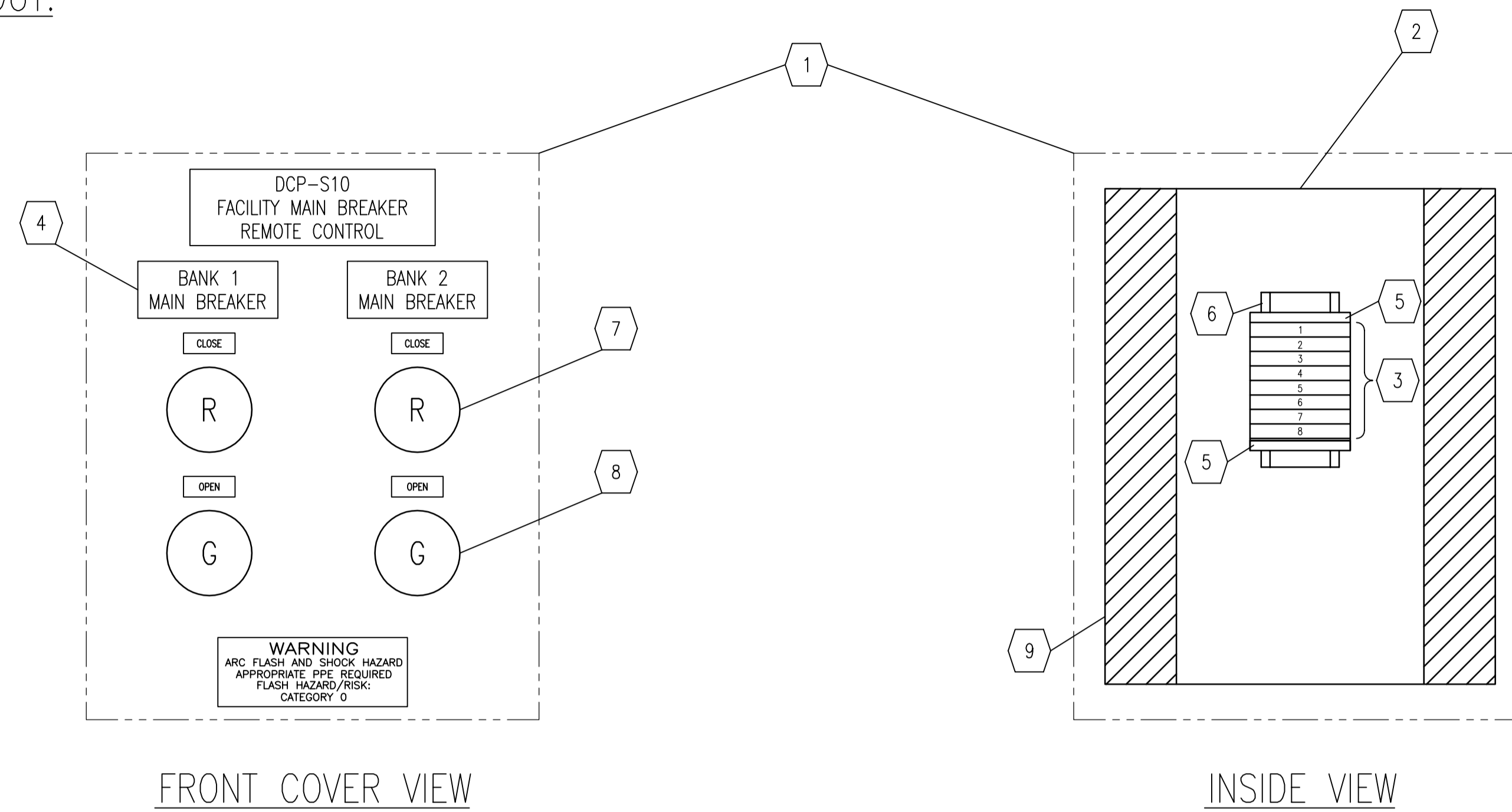


LAYOUT:

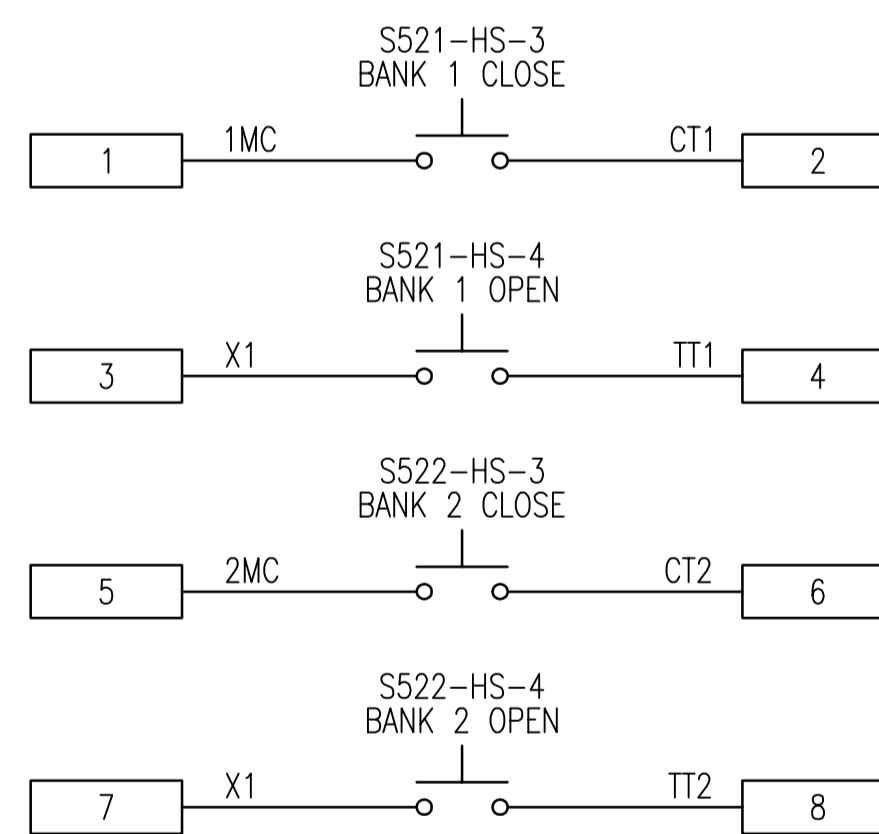


BILL OF MATERIAL				
ITEM	QTY	DESCRIPTION	MANUFACTURER	CATALOG NUMBER
1	1	NEMA 12 J.B. ENCLOSURE - 254x203x102mm (10x8x6in.)	HOFFMAN	A1008CH
2	1	BACKPLATE FOR ITEM 1	HOFFMAN	A10P8
3	8	SAK 4/35 TERMINALS	WEIDMULLER SAK4	0443660000
	1	TERMINAL END PLATE	WEIDMULLER	0117960000
	AS REQ'D	TERMINAL MARKERS	WEIDMULLER	0468260000
4	AS REQ'D	PHENOLIC TYPE NAMEPLATE C/W 3.18mm (1/8") AND 6.35mm (1/4") LETTERING.		
5	2	TERMINAL END HOLDER	WEIDMULLER EW35	0383560000
6	AS REQ'D	TS35 MOUNTING RAIL	WEIDMULLER	0383400000
7	2	PUSHBUTTON, NEMA 4X, RED WITH PROTECTIVE GUARD	ALLEN BRADLEY BULLETIN 800H	800H-GR2A
8	2	PUSHBUTTON, NEMA 4X, GREEN WITH PROTECTIVE GUARD	ALLEN BRADLEY BULLETIN 800H	800H-GR2A
9	AS REQ'D	WIRING DUCT - NARROW FINGER SLOTTED	PANDUIT	F1X2LG6

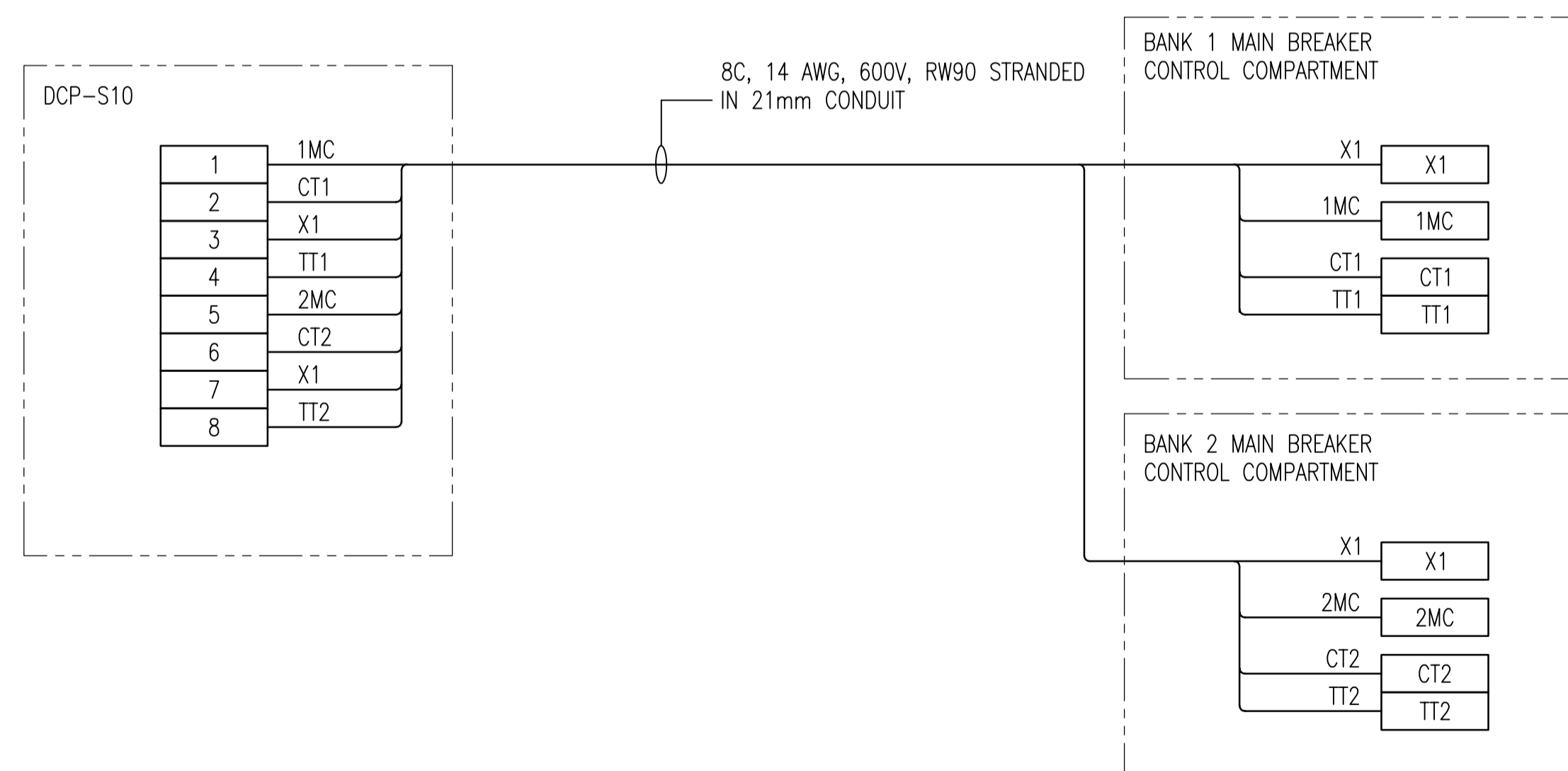
NOTES:

- ALL INTERIOR WIRING IN PANEL IS TO BE TEW 600V STRANDED COPPER, 14 AWG MINIMUM.
- INSTALL WIRE BARREL FERULES FOR ALL STRANDED WIRE.
- LABEL TERMINAL BLOCKS AS SHOWN WITH PRE-PRINTED MARKERS ON TAGS. HANDWRITTEN MARKERS ARE NOT ACCEPTABLE.
- PROVIDE NEAT, CLEARLY LEGIBLE WIRE LABELS ON BOTH ENDS OF THE WIRE, AS SHOWN ON THE DRAWINGS.
- NEATLY PRINT DOOR COMPONENT IDENTIFIERS NEXT TO THE CORRESPONDING COMPONENT ON THE DOOR INTERIOR, WITH BLACK PERMANENT MARKER.
- INSTALL THE PANEL ON THE WALL NEAR THE ENTRANCE DOOR.

WIRING DIAGRAM:



CONNECTION DIAGRAM:



1-0102S-E0016	BREAKER CONTROL SCHEMATIC
DRAWING NUMBER	REFERENCE DRAWINGS



NO.	REVISIONS	DATE	DESIGN	CHECK
00	ISSUED FOR TENDER, BID OPP: 837-2009	2009/12/07	TMC	NB

SNC-LAVALIN INC. 148 Nature Park Way Winnipeg, MB, Canada R3P 0X7 204-786-8000	
DESIGNED BY: T. CHURCH	CHECKED BY: N. BRADDOO
DRAWN BY: T. CHURCH	APPROVED BY: C. REIMER
SCALE: 1:2	RELEASED FOR CONSTRUCTION BY: J. VEILLEUX
DATE: 2009/12/07	DATE: 2009/12/02
CONSULTANT NO.: 112577-0105-47DD-0506	

ENGINEER'S SEAL
 ORIGINAL DRAWING
 SEALED BY:
 N. BRADDOO
 SNC-LAVALIN
 2009/12/07
 REV. 00

THE CITY OF WINNIPEG WATER AND WASTE DEPARTMENT	
SOUTH END WATER POLLUTION CONTROL CENTRE ELECTRICAL INSPECTION & UPGRADES PANEL LAYOUT DCP-10 MAIN BREAKER REMOTE CONTROL STATION	
CITY DRAWING NUMBER 1-0102S-E0017	SHEET REV. SIZE 001 00 A1