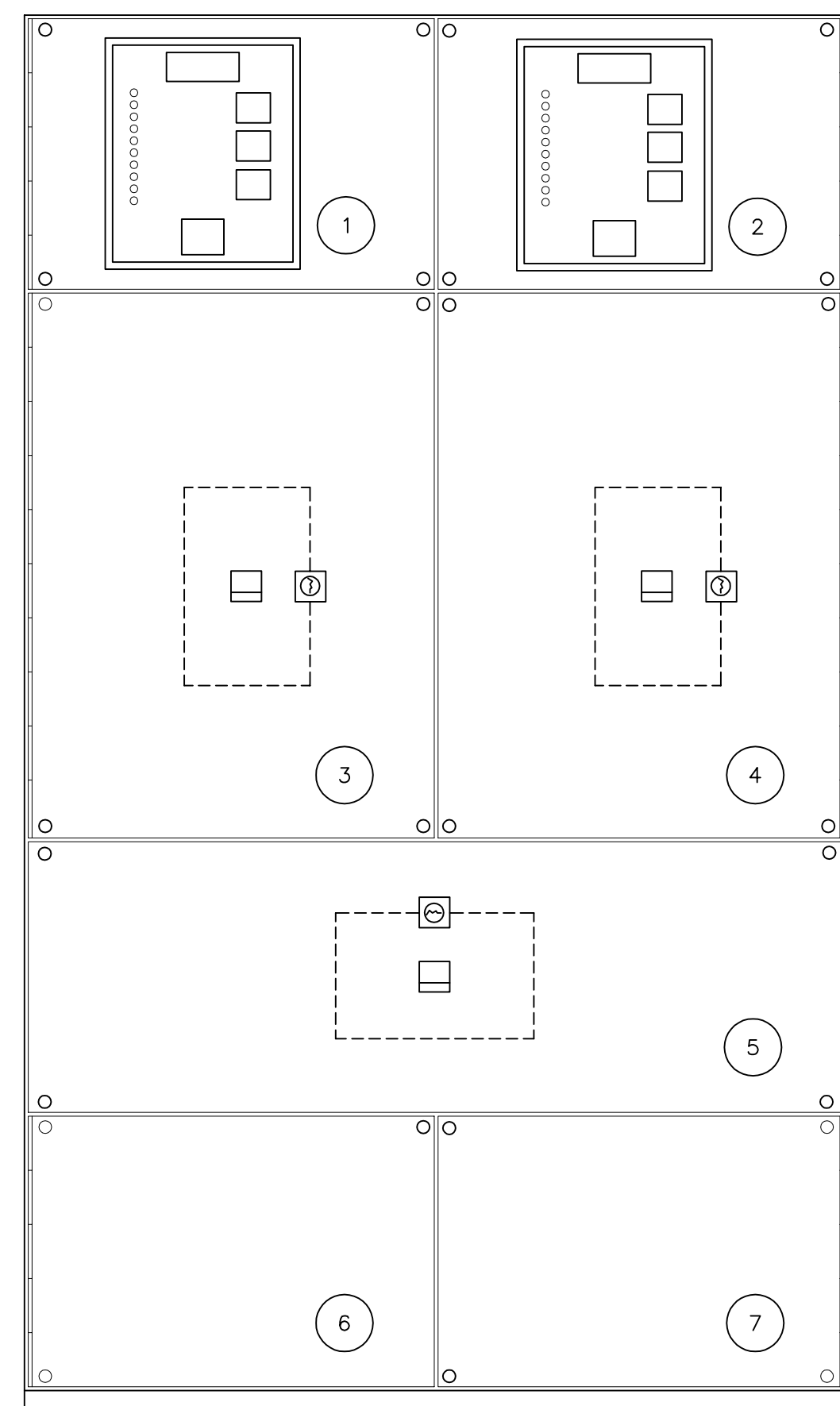
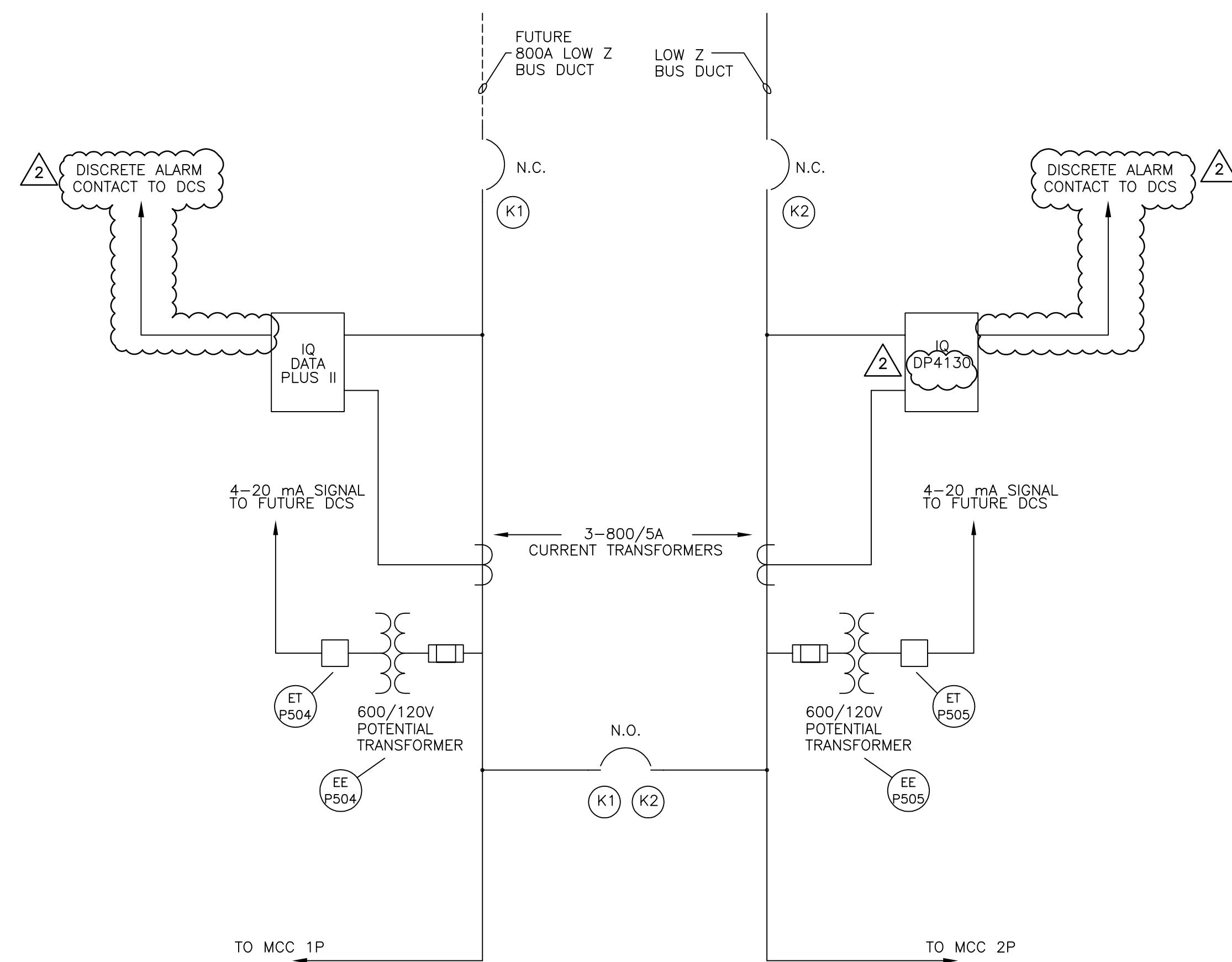


MCC 1P & MCC 2P BREAKER CUBICLE							
UNIT No.	DESCRIPTION	FEEDER			CIRCUIT BREAKER		REMARKS
		CAP IN AMPS	SIZE	TYPE	VOLTS	FRAME SIZE	
1	600V INCOMING AND TIE BUS	800A		LOW Z BUS DUCT			METERING VIA IQ DATA PLUS
2	600V INCOMING AND TIE BUS	800A		LOW Z BUS DUCT			METERING VIA IQ DATA PLUS
3	CIRCUIT BREAKER	800A			600V	800A	
4	CIRCUIT BREAKER	800A			600V	800A	
5	TIE CIRCUIT BREAKER	800A			600V	800A	
6	600V MAIN BUS	800A		BUS BAR			TO MCC 1P
7	600V MAIN BUS	800A		BUS BAR			TO MCC 2P

600V KEY INTERLOCK SCHEDULE	
BREAKER UNIT No.	DESCRIPTION
3	KEY "K1" REMOVABLE ONLY WHEN N.C. BREAKER IS OPENED.
4	KEY "K2" REMOVABLE ONLY WHEN N.C. BREAKER IS OPENED.
5	N.O. BREAKER CAN ONLY BE CLOSED WHEN EITHER KEY "K1" OR "K2" IS INSERTED.



MCC 1P & MCC 2P SWITCHGEAR—FRONT ELEVATION



MCC 1P & MCC 2P SWITCHGEAR—INTERNAL CONNECTIONS



SNC-Lavalin Inc. 148 Notre Dame St. W. Winnipeg, Manitoba Canada R3P 0X7				
DESIGNED BY N. BRADDOO	APPROVED BY C. REIMER	DATE 2009/12/07		
CHECKED BY C. REIMER				
PROJECT No. 112577	SUBDIV. 0105	SUBJECT 47 DD	SERIAL 0305	REV. 2

B.M. ELEV.	MaCLAREN ENGINEERS INC. WARDROP ENGINEERING INC. ENGINEERING CONSULTANTS		
DESIGNED BY B.T.	CHECKED BY		
DRAWN BY S.R.	APPROVED BY		
1 AS CONSTRUCTED	05/91	B.T.	
0 ISSUED FOR TENDER	08/89	B.T.	
- ISSUED FOR APPROVAL	06/89	B.T.	
HOR. SCALE: 1:10		RELEASED FOR CONSTRUCTION:	
VERTICAL:		DATE MARCH 1989	
NO. REVISIONS	DATE	BY	DATE

ORIGINAL DRAWING SEALED BY: N. BRADDOO SNC-Lavalin 2009/12/07 REV. 02	CONSULTANT DRAWING NO. 870012-01-16-E116
---	---

**THE CITY OF WINNIPEG**  
WORKS AND OPERATIONS DIVISION  
WATERWORKS, WASTE & DISPOSAL DEPARTMENT

SOUTH END WATER POLLUTION CONTROL CENTRE  
PRIMARY CLARIFIER EXPANSION - ELECTRICAL  
MCC TIE SCHEDULE

CITY DRAWING NUMBER  
SHEET OF  
SEP-290