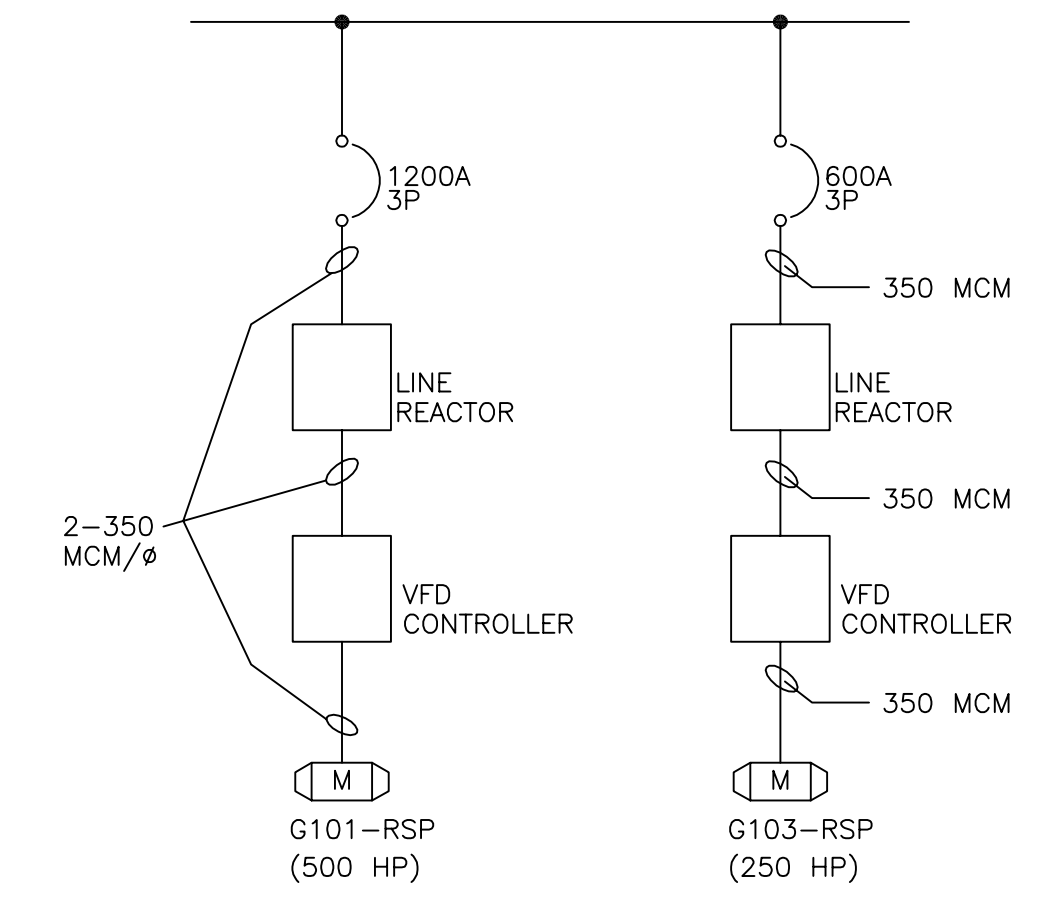
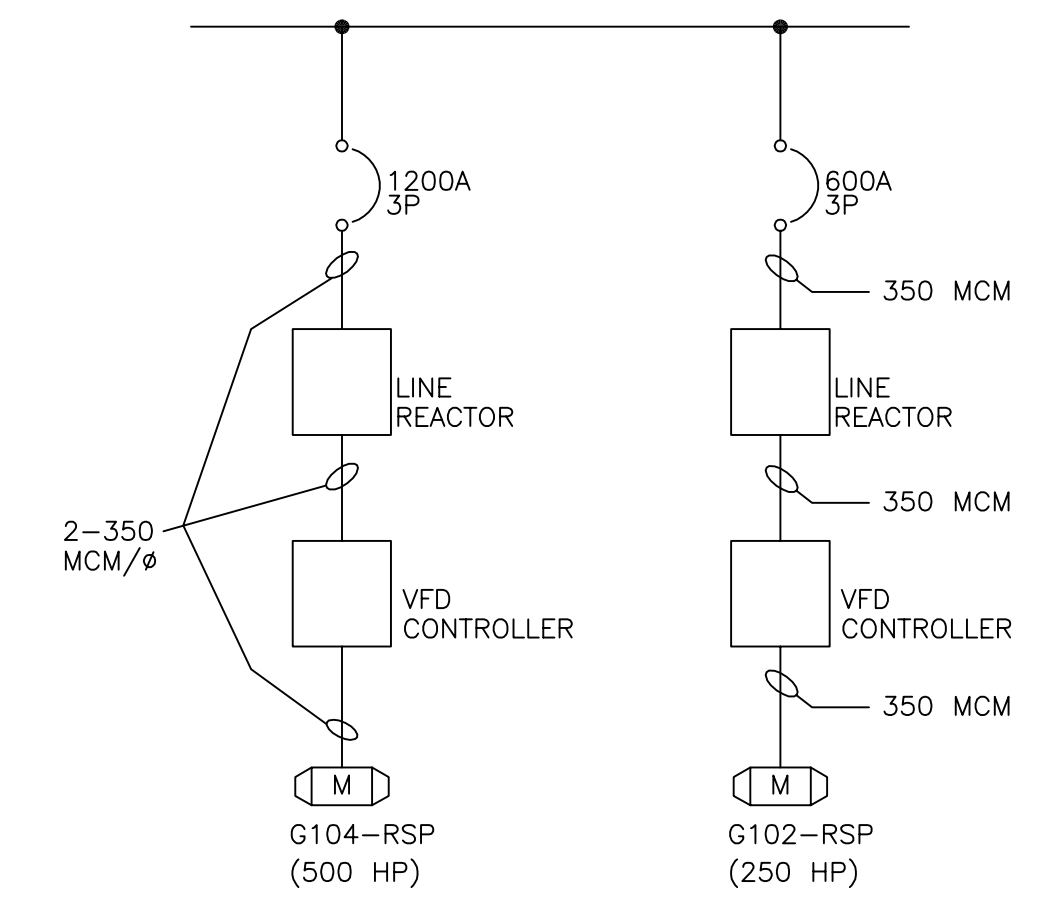


600 VOLT MOTOR CONTROL CENTRE – MCC 4G													CONNECTED KW: 566 DEMAND KW: 380	
MCC NUMBER	EQUIP. NUMBER	MOTOR					STARTER		FEEDER			CIRCUIT PROTECTION		REMARKS
		DESCRIPTION	LOCATION	HP	KW	FULL LOAD AMPS	EEMAC SIZE	TYPE	CAP IN AMPS	SIZE	TYPE	CONT. RATING (AMPS)	FRAME SIZE	
A	G101-RSP	RAW SEWAGE PUMP #1	ROOM G114	500	373	489	-	-	650	2-350MCM/ø	RW90	1200A-3P	RD	
1F-3	G103-RSP	RAW SEWAGE PUMP #3	ROOM G114	250	187	242	-	-	325	350 MCM	RW90	600A-3P	HLD	
1R-1	G256-BS	BAR SCREEN #2	ROOM G127	3	2.2	3.5	1	CMFVR	20	#12	RW90	7A-3P	HMCP	
1F-2L	G207-SG	MOTORIZED SLUICE GATE-BYPASS CHANNEL	ROOM G127	2	1.5	3.8	-	-	20	#12	RW90	15A-3P	FDC	
1F-2R	G215-SG	MOTORIZED SLUICE GATE-BYPASS CHANNEL	ROOM G127	2	1.5	3.8	-	-	20	#12	RW90	15A-3P	FDC	
1F-5	-	POWER FACTOR CORRECTION CAPACITOR	-	-	-	10KVAR	-	-	20	#12	RW90	-	-	CAPACITOR BREAKER IN SECTION 2F-1A
1F-1L	-	CAPACITOR BREAKER	-	-	-	-	-	-	20	#12	RW90	15A-3P	FDC	
1F-1R	-	SPARE BREAKER	-	-	-	-	-	-	-	-	-	15A-3P	FDC	

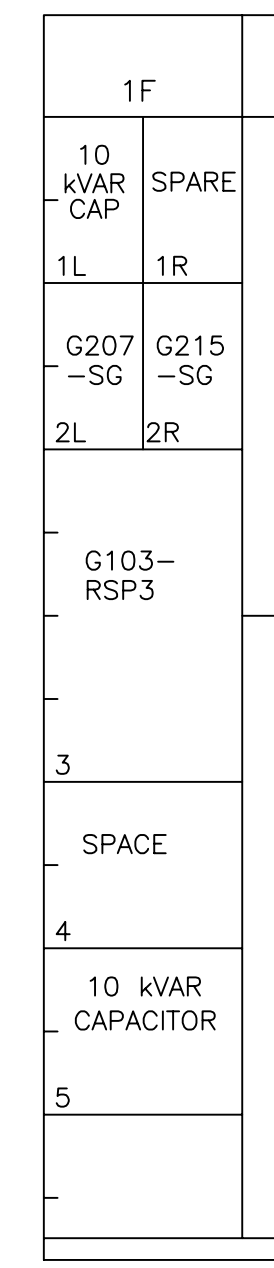


RAW SEWAGE PUMP SCHEMATIC FOR MCC 4G

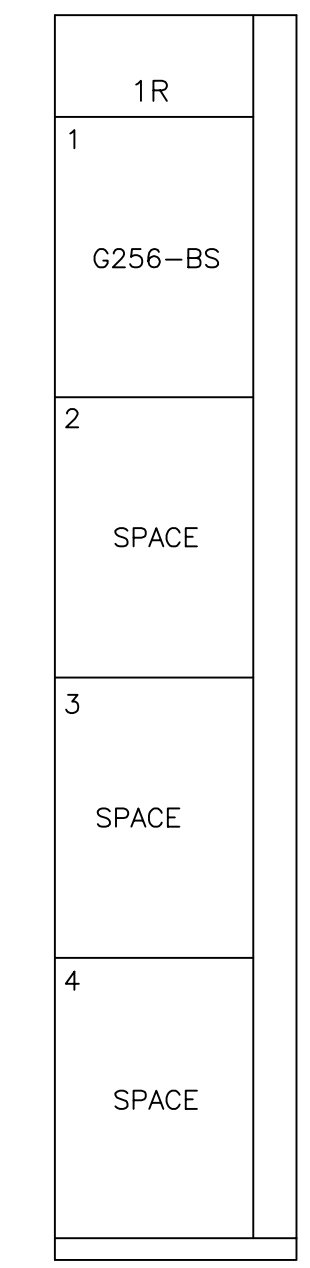
600 VOLT MOTOR CONTROL CENTRE – MCC 3G													CONNECTED KW: 680 DEMAND KW: 450	
MCC NUMBER	EQUIP. NUMBER	MOTOR					STARTER		FEEDER			CIRCUIT PROTECTION		REMARKS
		DESCRIPTION	LOCATION	HP	KW	FULL LOAD AMPS	EEMAC SIZE	TYPE	CAP IN AMPS	SIZE	TYPE	CONT. RATING (AMPS)	FRAME SIZE	
B	G104-RSP	RAW SEWAGE PUMP #4	ROOM G114	500	373	489	-	-	650	2-350 MCM/ø	RW90	1200-3P	RD	
2F-2	G102-RSP	RAW SEWAGE PUMP #2	ROOM G114	250	187	242	-	-	325	350 MCM	RW90	600-3P	HLD	
1R-3	G257-BS	BAR SCREEN #3	ROOM G127	3	2.2	3.5	1	CMFVR	20	#12	RW90	7A-3P	HMCP	
1R-1	G255-BS	BAR SCREEN #1	ROOM G127	3	2.2	3.5	1	CMFVR	20	#12	RW90	7A-3P	HMCP	
1F-2	G260-CON	CONVEYOR	ROOM G127	3	2.2	3.8	1	CMFVNR	20	#12	RW90	7A-3P	HMCP	
2F-4L	-	SPARE BREAKER	-	-	-	-	-	-	-	-	-	100A-3P	FDC	
1F-3	G310-EF	GENERATOR BLDG. EXHAUST FAN #1	GENERATOR BLDG.	5	3.7	6.1	1	CMFVNR	20	#12	RW90	15A-3P	HMCP	
1F-4	G312-EF	GENERATOR BLDG. EXHAUST FAN #2	GENERATOR BLDG.	5	3.7	6.1	1	CMFVNR	20	#12	RW90	15A-3P	HMCP	
2F-4	-	POWER FACTOR CORRECTION CAPACITOR	-	-	-	10KVAR	-	-	20	#12	RW90	-	-	CAPACITOR BREAKER IN SECTION 2F-1A
2F-1L	-	CAPACITOR BREAKER	-	-	-	-	-	-	20	#6	RW90	15A-3P	FDC	
2F-1R	-	ESSENTIAL 600-208/120V TRANSFORMER	GENERATOR BLDG.	-	45KVA	-	-	-	65	#6	RW90	60A-3P	FDC	
2F-4R	-	WELDING RECEPTACLE	GENERATOR BLDG.	-	50	-	-	-	65	#6	RW90	60A-3P	FDC	
1F-1L	G225-SG	GRIT TANK #1 SLUICE GATE	ROOM G138	2	1.5	2	-	-	20	#12	RW90	15A-3P	FDC	
1F-1R	G226-SG	GRIT TANK #2 SLUICE GATE	ROOM G138	2	1.5	2	-	-	20	#12	RW90	15A-3P	FDC	



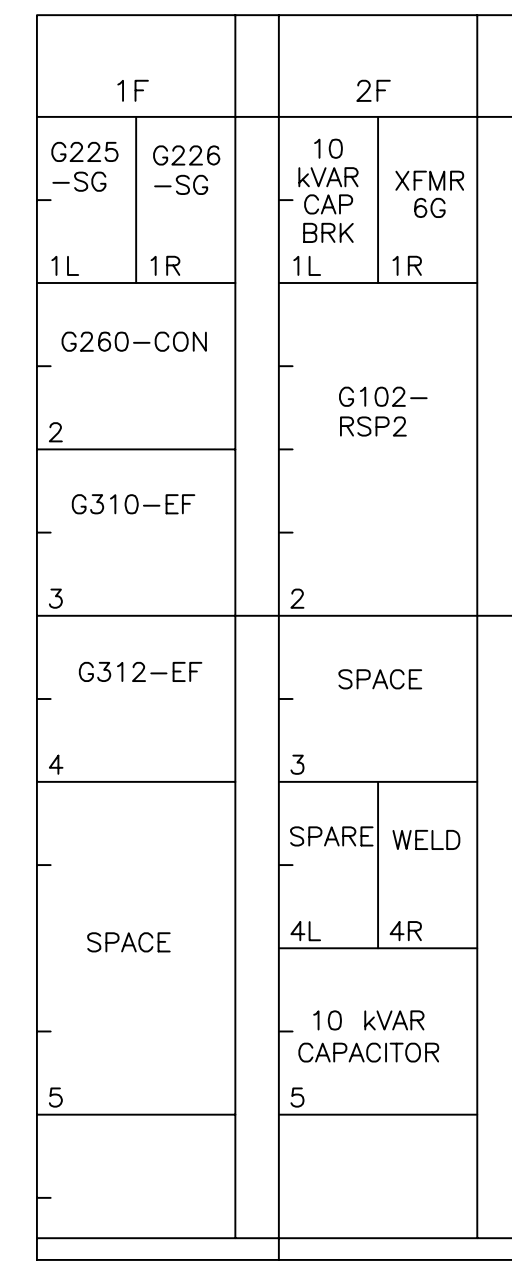
RAW SEWAGE PUMP SCHEMATIC FOR MCC 3G



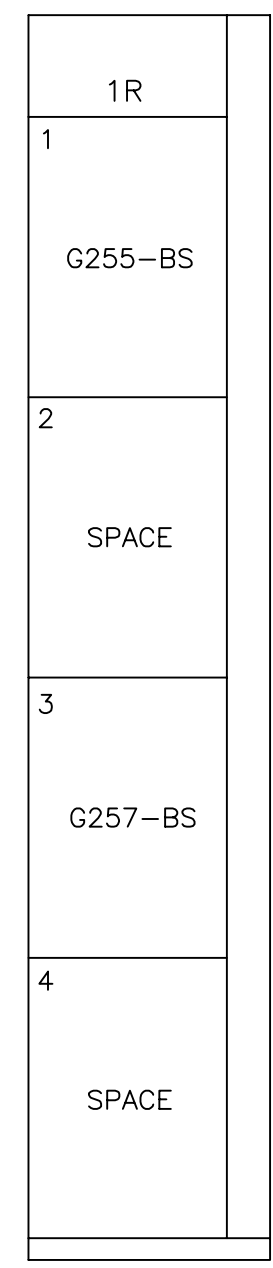
MCC 4G FRONT ELEVATION



MCC 4G REAR ELEVATION



MCC 3G FRONT ELEVATION

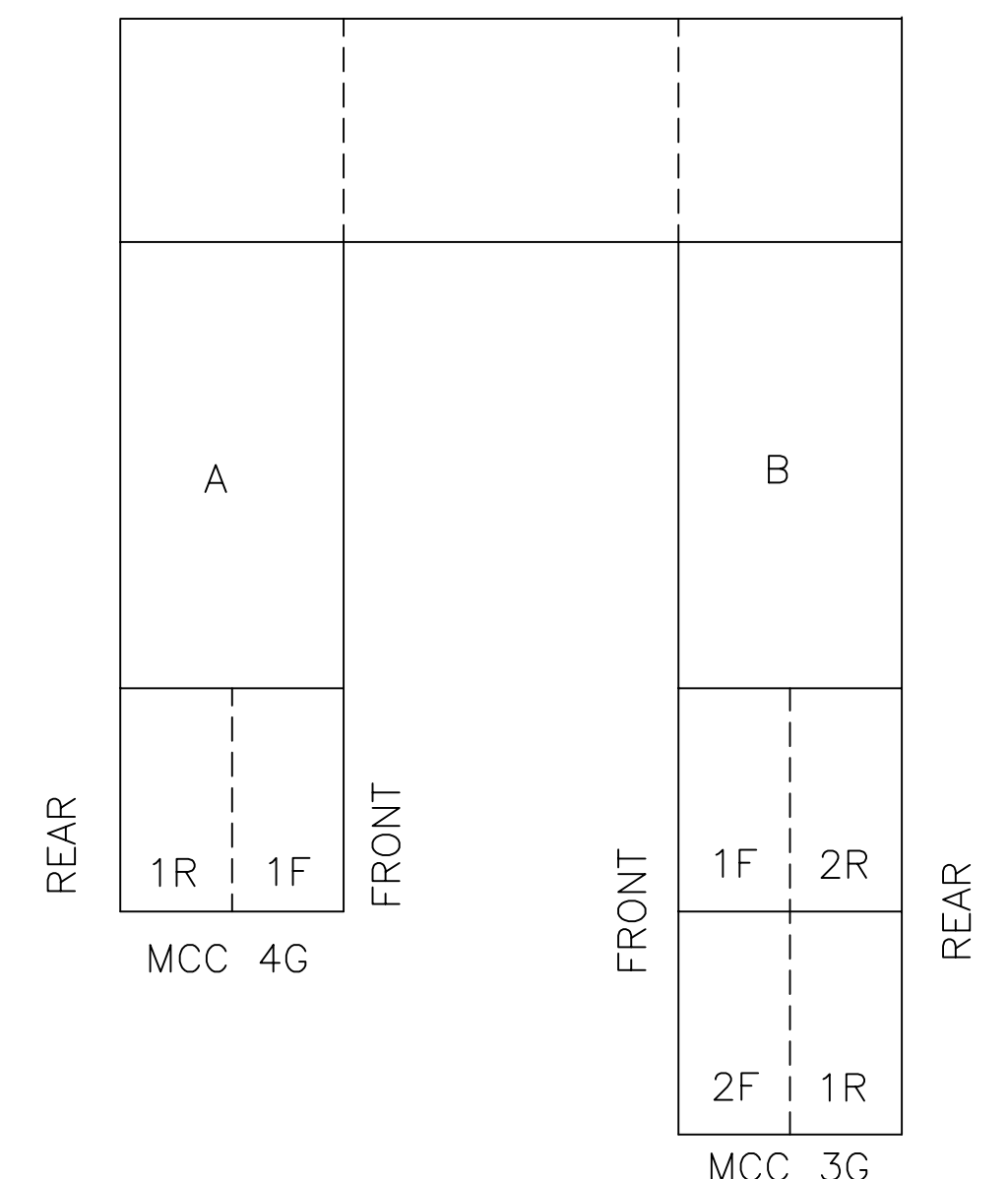


MCC 3G REAR ELEVATION

SNC-LAVALIN
148 Nature Park Way
Winnipeg, Manitoba
Canada R3P 0X7

FOR REFERENCE ONLY

PROJECT No.	SUBDIV.	SUBJECT	SERIAL	REV.
112577	0105	47 DD	0108	2



MCC 4G & 3G LAYOUT-PLAN VIEW

B.M. ELEV.	MaCLAREN ENGINEERS INC. WARDROP ENGINEERING INC. ENGINEERING CONSULTANTS
DESIGNED BY: B.T.	CHECKED BY:
DRAWN BY: N.B.	APPROVED BY:
2 REVISED FOR NEW SCREENS 05/96 B.T.	1 AS CONSTRUCTED 08/93 B.T.
0 ISSUED FOR TENDER 12/91 B.T.	- ISSUED FOR CITY REVIEW 05/91 B.T.
NO. REVISIONS	DATE BY
	DATE: OCTOBER 1990

REV "0"
SEALED BY
W. BRETT TODD
91/11/27

CONSULTANT DRAWING NO.
870012-01-20-G-E110

THE CITY OF WINNIPEG
WORKS AND OPERATIONS DIVISION
WATERWORKS, WASTE & DISPOSAL DEPARTMENT

SOUTH END WATER POLLUTION CONTROL CENTRE
PUMP & SCREEN BUILDING – ELECTRICAL
MOTOR CONTROL CENTRES 3G & 4G

CITY DRAWING NUMBER
SEP-831