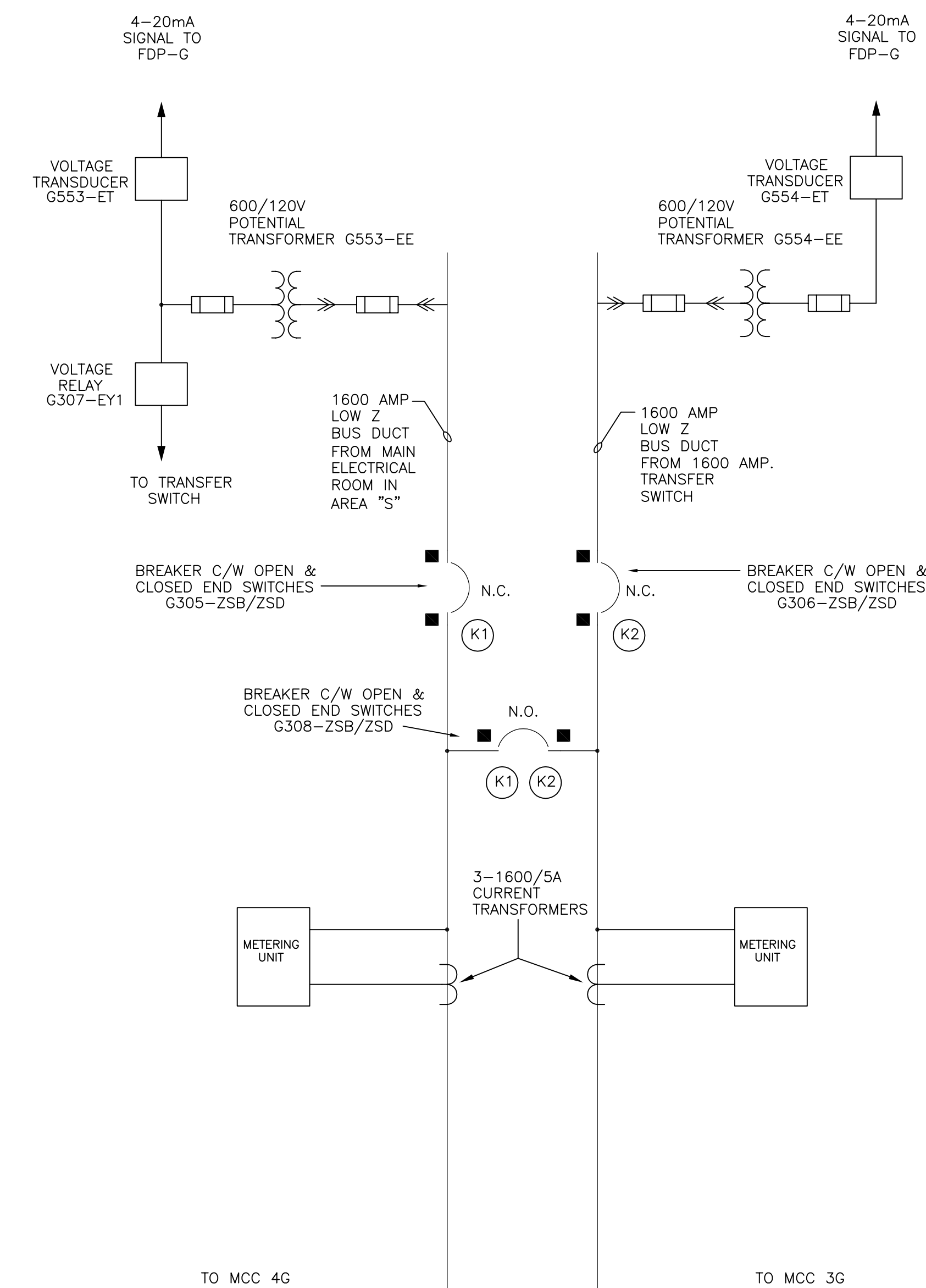
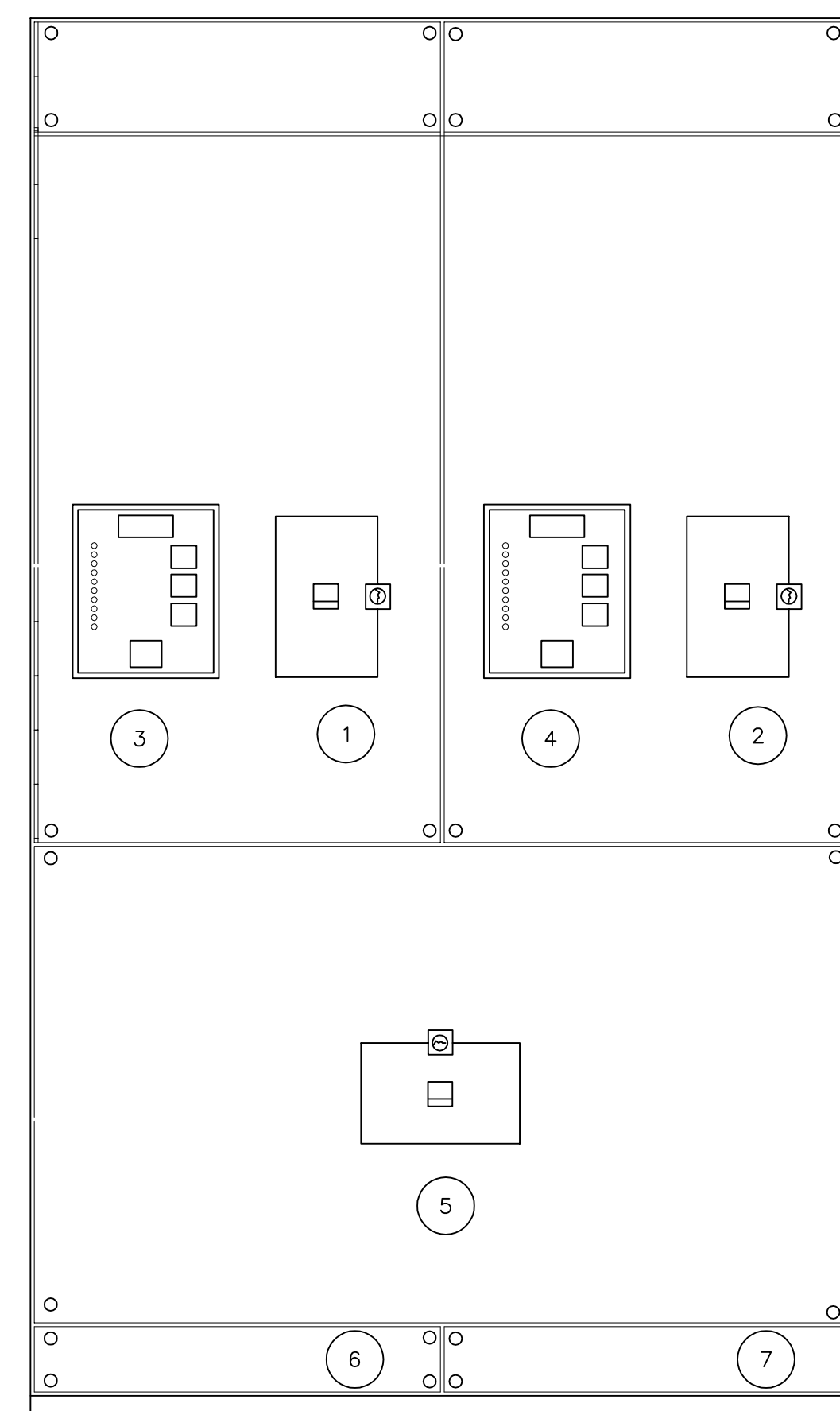
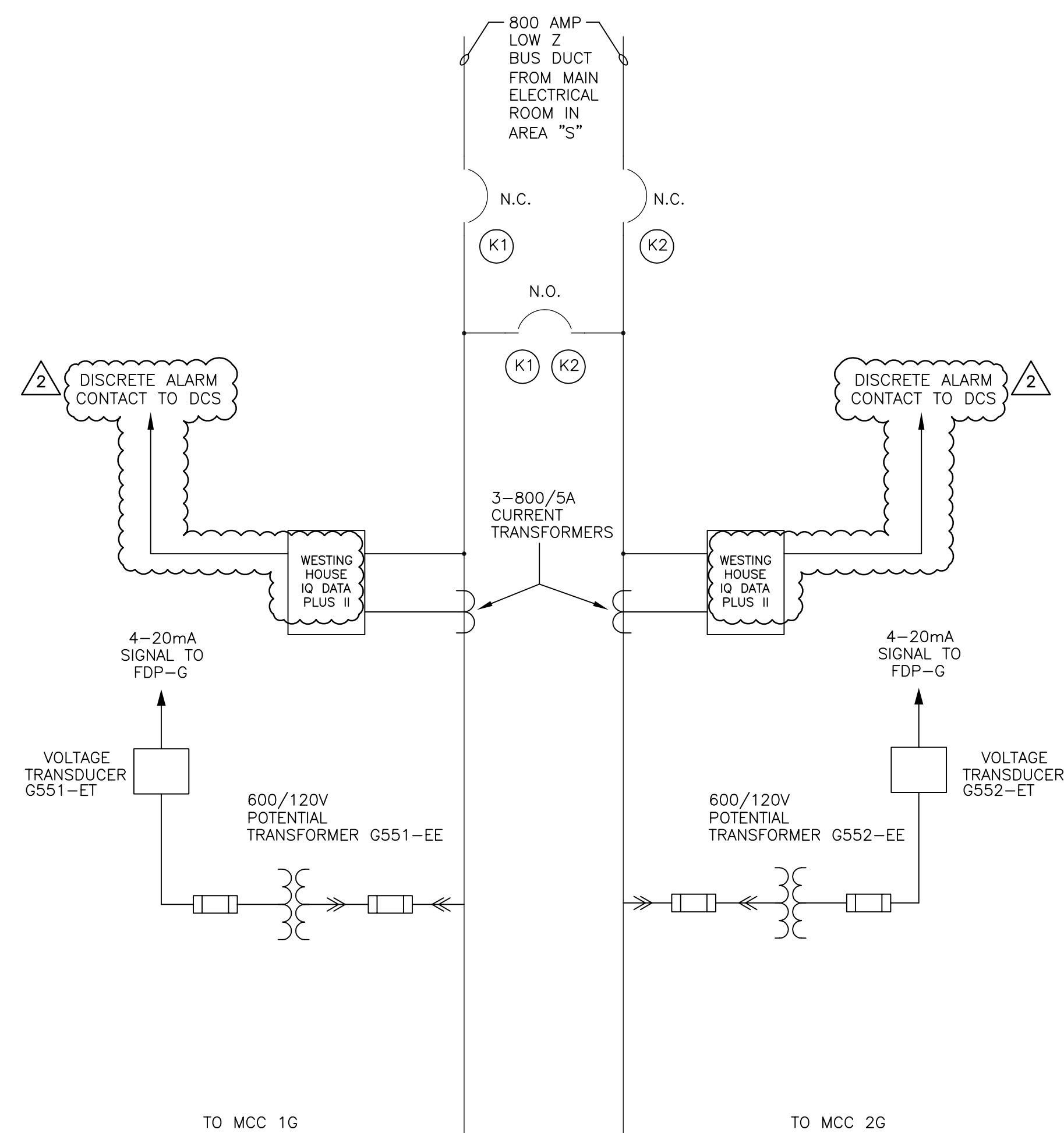
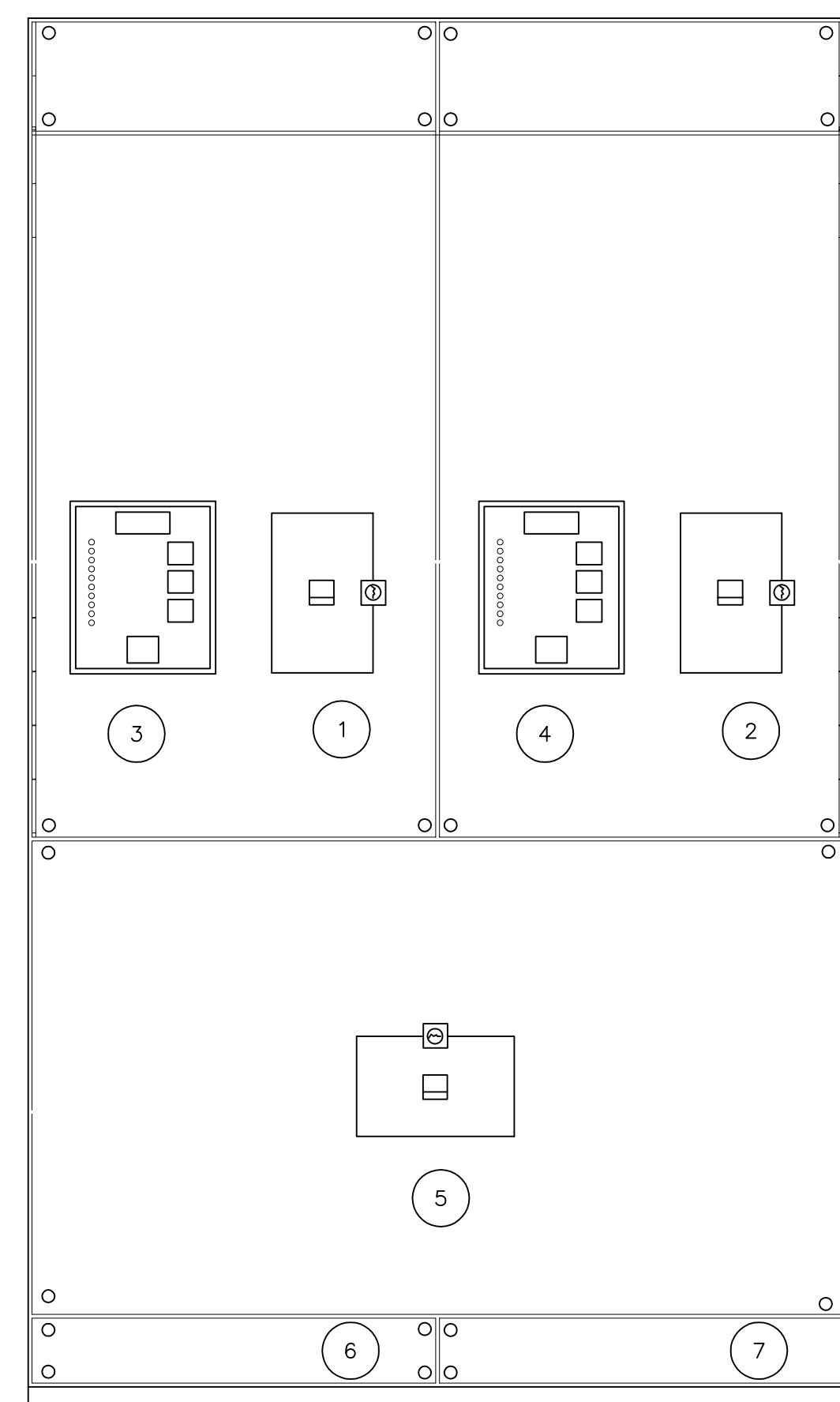


MCC 1G & MCC 2G BREAKER CUBICLE							
UNIT No.	DESCRIPTION	FEEDER		CIRCUIT BREAKER			REMARKS
		CAP IN AMPS	SIZE	VOLTS	FRAME SIZE	TRIP SETTING	
1	TIE LUGS & CIRCUIT BREAKER	800A		LOW Z BUS DUCT	600V	800A	TYPE "RD" BREAKER
2	TIE LUGS & CIRCUIT BREAKER	800A		LOW Z BUS DUCT	600V	800A	TYPE "RD" BREAKER
3	MCC 1G METERING	-					IQ DATA PLUS
4	MCC 2G METERING	-					IQ DATA PLUS
5	TIE CIRCUIT BREAKER	800A			600V	800A	TYPE "RD" BREAKER
6	600V MAIN LUGS	800A		BUS BAR			TO MCC 1G
7	600V MAIN LUGS	800A		BUS BAR			TO MCC 2G

MCC 3G & MCC 4G BREAKER CUBICLE							
UNIT No.	DESCRIPTION	FEEDER		CIRCUIT BREAKER			REMARKS
		CAP IN AMPS	SIZE	VOLTS	FRAME SIZE	TRIP SETTING	
1	TIE LUGS & CIRCUIT BREAKER	1600A		LOW Z BUS DUCT	600V	1600A	TYPE "RD" BREAKER
2	TIE LUGS & CIRCUIT BREAKER	1600A		LOW Z BUS DUCT	600V	1600A	TYPE "RD" BREAKER
3	MCC 4G METERING	-					IQ DATA PLUS
4	MCC 3G METERING	-					IQ DATA PLUS
5	TIE CIRCUIT BREAKER	1600A			600V	1600A	TYPE "RD" BREAKER
6	600V MAIN LUGS	1600A		BUS BAR			TO MCC 4G
7	600V MAIN LUGS	1600A		BUS BAR			TO MCC 3G

600V KEY INTERLOCK SCHEDULE	
BREAKER UNIT No.	DESCRIPTION
1	KEY "K1" REMOVABLE ONLY WHEN N.C. BREAKER IS OPENED.
2	KEY "K2" REMOVABLE ONLY WHEN N.C. BREAKER IS OPENED.
5	N.O. BREAKER CAN ONLY BE CLOSED WHEN EITHER KEY "K1" OR "K2" IS INSERTED.

600V KEY INTERLOCK SCHEDULE	
BREAKER UNIT No.	DESCRIPTION
1	KEY "K1" REMOVABLE ONLY WHEN N.C. BREAKER IS OPENED.
2	KEY "K2" REMOVABLE ONLY WHEN N.C. BREAKER IS OPENED.
5	N.O. BREAKER CAN ONLY BE CLOSED WHEN EITHER KEY "K1" OR "K2" IS INSERTED.



MCC 1G & MCC 2G SWITCHGEAR-FRONT ELEVATION

MCC 1G & MCC 2G SWITCHGEAR-INTERNAL CONNECTIONS

MCC 3G & MCC 4G SWITCHGEAR-FRONT ELEVATION

MCC 3G & MCC 4G SWITCHGEAR-INTERNAL CONNECTIONS



		SNC-LAVALIN INC. 148 Notre Dame St. Winnipeg, Manitoba Canada R2B 0Y7	
DESIGNED BY:	N. BRADDOO	APPROVED BY:	C. REIMER
CHECKED BY:	C. REIMER	DATE:	2009/12/07
PROJECT No.	112577	SUBJ.:	0105
		SUBJECT:	47 DD
		SERIAL:	0109
		REV.:	2

B.M. ELEV.		MaCLAREN ENGINEERS INC. WARDROP ENGINEERING INC. ENGINEERING CONSULTANTS	ENGINEER'S SEAL
2	ADDED UNDERVOLTAGE PROT. TO MCC-1G & MCC-2G	12/09 NB	ORIGINAL DRAWING SEALED BY: N. BRADDOO SNC-LAVALIN 2009/12/07 REV. 02
1	AS CONSTRUCTED	08/93 B.T.	THE CITY OF WINNIPEG WORKS AND OPERATIONS DIVISION WATERWORKS, WASTE & DISPOSAL DEPARTMENT SOUTH END WATER POLLUTION CONTROL CENTRE PUMP & SCREEN BUILDING - ELECTRICAL MCC 1G & 2G AND MCC 3G & 4G DISTRIBUTION SECTION SCHEDULES
0	ISSUED FOR TENDER	12/91 B.T.	
-	ISSUED FOR CITY REVIEW	05/91 B.T.	CITY DRAWING NUMBER
NO. REVISIONS	DATE	BY	SHEET OF
		OCTOBER 1990	SEP-832

CONSULTANT DRAWING NO.	780012-01-20-G-1111
------------------------	---------------------