

PROPERTY LIMITS DELINEATION

DELINEATION OF PROPERTY LIMITS AS SHOWN ON THIS DWG DOES NOT REPRESENT A "LEGAL SURVEY". KGS GROUP MAKES NO REPRESENTATION OR WARRANTY AS TO THE ACCURACY OF PROPERTY LIMITS DELINEATED ON THIS DWG, NOR ON THE DIMENSIONAL ACCURACY OF DWG FEATURES RELATIVE TO THOSE PROPERTY LIMITS.

WARNING

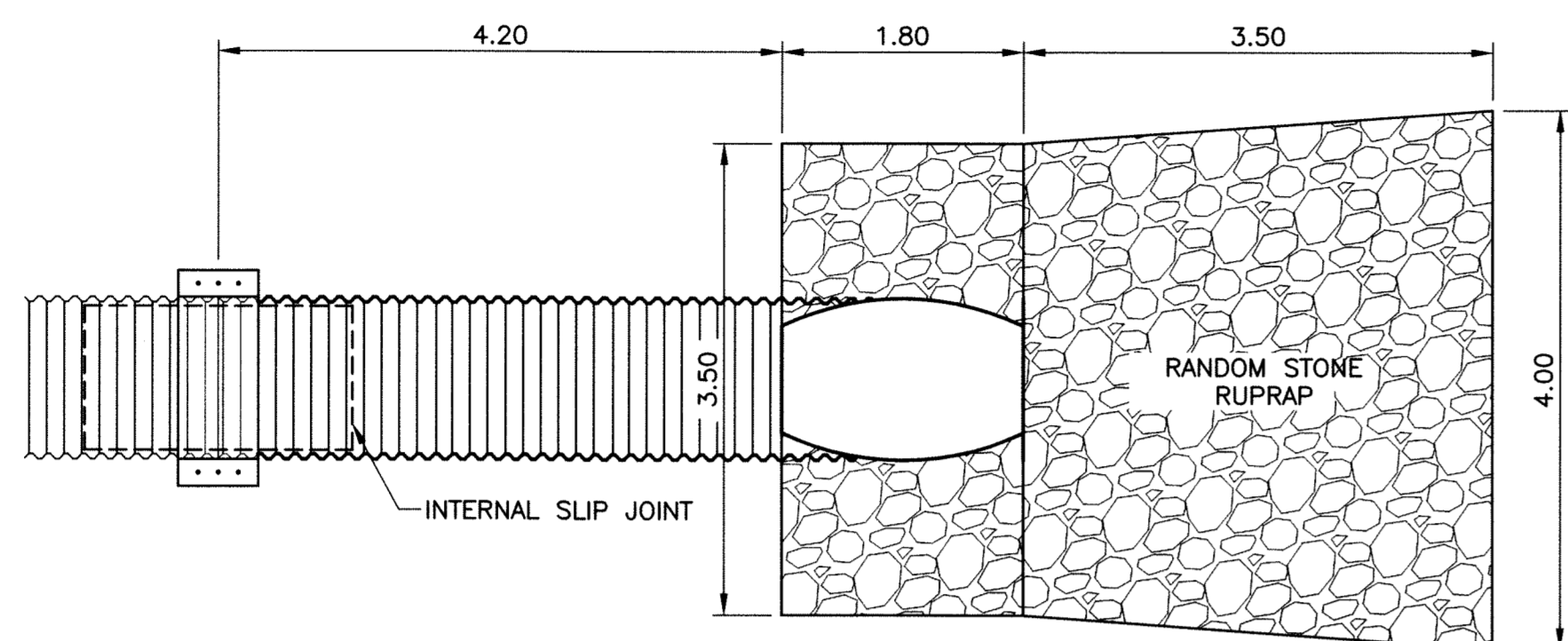
1. NOTIFY THE GAS COMPANY OF THE PROPOSED LOCATION OF EXCAVATION.
2. TAKE PRECAUTION TO AVOID DAMAGE TO GAS COMPANY INSTALLATIONS.
3. SEE PROVINCIAL REGULATION 210/72 FOR DETAILS.

METRIC

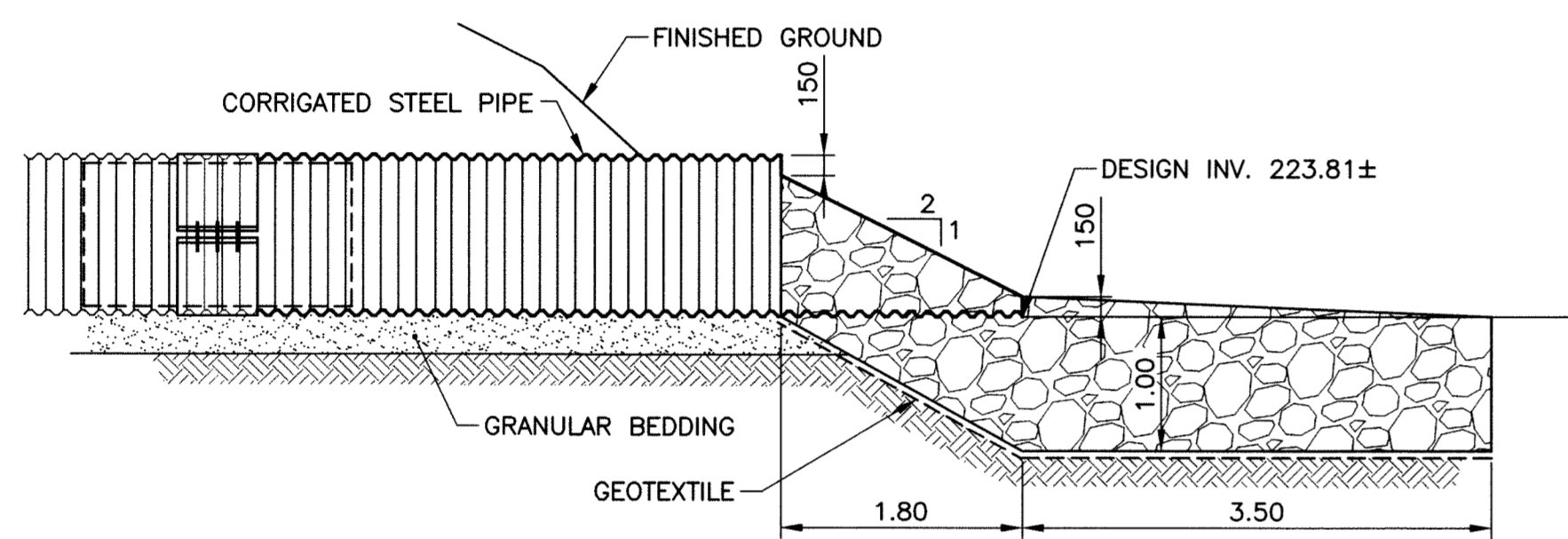
WHOLE NUMBERS INDICATE MILLIMETRES
DECIMALIZED NUMBERS INDICATE METRES

NOTES:

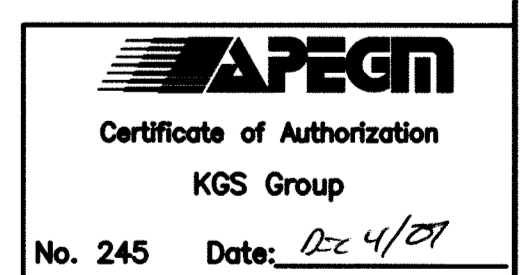
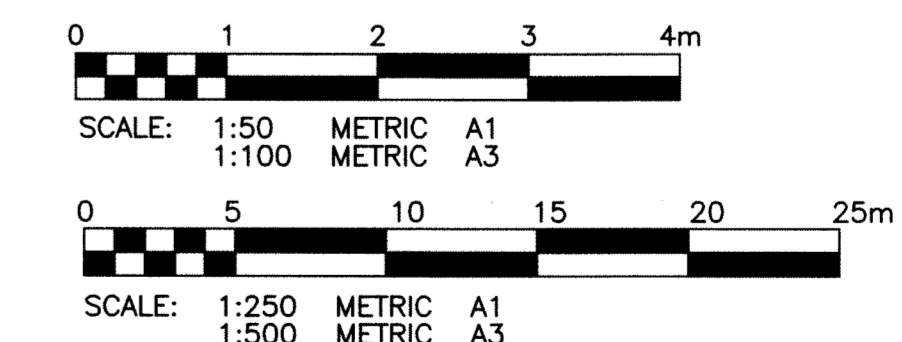
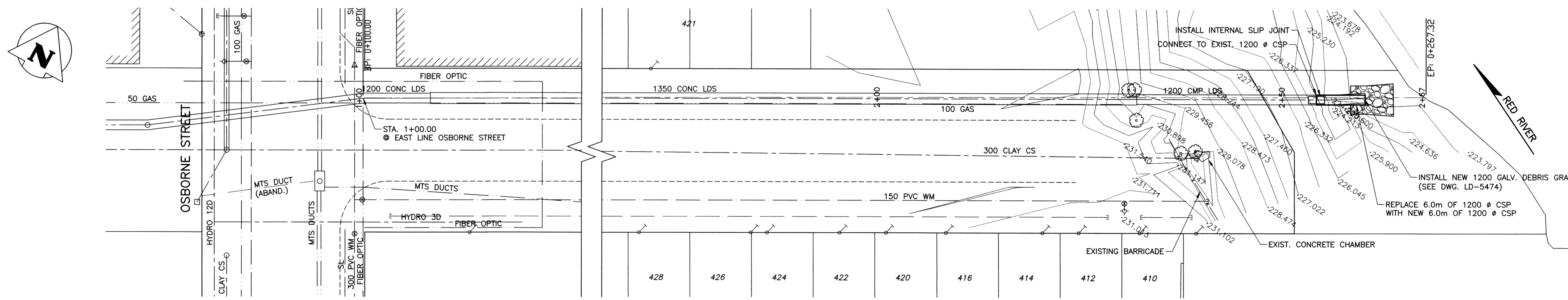
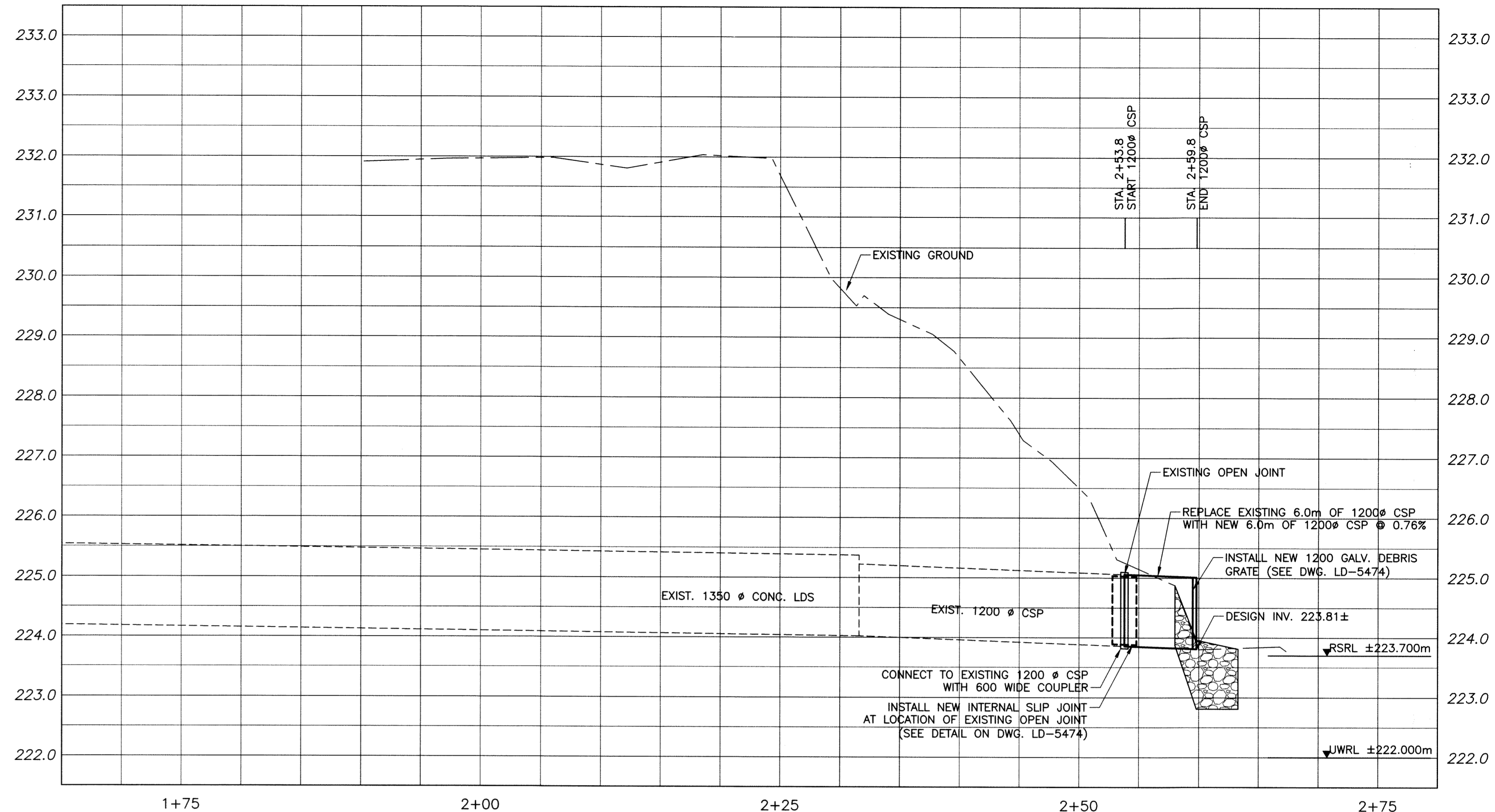
1. PIPE ELEVATIONS ARE ESTABLISHED FROM CITY OF WINNIPEG RECORD DRAWINGS.
2. RIPRAP TO BE SUBCUT INTO BANK AND PLACED FLUSH WITH ORIGINAL GROUND.



RIPRAP DETAIL - PLAN
SCALE 1:50



RIPRAP DETAIL - SECTION
SCALE 1:50



150 WM	WATERMAIN	150 WM	HYDRO	150 WM	WATERMAIN	150 WM
⊕	HYDRANT	⊕	M.T.S.	⊕	HYDRANT, VALVE	⊕
⊙	VALVE	⊙	CONCRETE	⊙	LAND DRAINAGE SEWER	⊙
300 LDS	LAND DRAINAGE SEWER	300 LDS	ASPHALT	250 WWS	WASTE WATER SEWER	250 WWS
250 WWS	WASTE WATER SEWER	250 WWS	SIDWALK	⊗	Q PROFILE	⊗
○	MANHOLE	○	KGS TEST HOLE	□	NORTH/WEST GUTTER	□
□	CATCH BASIN	□	PROPERTY LINE	○	SOUTH/EAST GUTTER	○
▽	CURB INLET	▽	SURVEY BAR	◇, ○	N/W, S/E R'S	◇, ○
+	JUNCTIONS	+	DITCH	⊕, ○	N/W, S/E TOP/CURB	⊕, ○
—+—	CULVERT	—+—	ELEVATION	△	NORTH/WEST DITCH	△
---	GAS	---		▽	SOUTH/EAST DITCH	▽
---	EXISTING	---	LEGEND-PLAN	---	LEGEND-PROFILE	---
---	LEGEND-PLAN	---	PROPOSED	---	PROPOSED	---

LOCATION APPROVED UNDERGROUND STRUCTURES

SUPV. U/G STRUCTURES DATE COMMITTEE

NOTE: LOCATION OF UNDERGROUND STRUCTURES AS SHOWN ARE BASED ON THE BEST INFORMATION AVAILABLE BUT NO GUARANTEE IS GIVEN THAT ALL EXISTING UTILITIES ARE SHOWN OR THAT THE GIVEN LOCATIONS ARE EXACT. CONFIRMATION OF EXISTENCE AND EXACT LOCATION OF ALL SERVICES MUST BE OBTAINED FROM THE INDIVIDUAL UTILITIES BEFORE PROCEEDING WITH CONSTRUCTION.

B.M. KGS BASE ELEV. -	DWGS BASED ON C.S.R.S. NAD 83 SYSTEM, UTM GROUND
0	ISSUED FOR TENDER 09/12/04
NO.	REVISIONS
DATE	BY

KGS GROUP CONSULTING ENGINEERS

DESIGNED BY	RBO	CHECKED BY	HL
DRAWN BY	GEL	APPROVED BY	
HOR. SCALE:	1:250	RELEASED FOR CONSTRUCTION:	
VERTICAL:	1:50	DATE:	09/11/25

ENGINEER'S SEAL: R.J. HOUSTON

THE CITY OF WINNIPEG WATER AND WASTE DEPARTMENT

PROJECT TITLE: 2009 OUTFALL MAINTENANCE PROGRAM GLASGOW AVENUE

PLAN AND PROFILE OUTFALL (RR-48)

CONSULTANT DRAWING NO. 09-0107-14_05

SHEET 05 OF 07

COMPUTER FILE NAME: 09-0107-14

CITY DRAWING NUMBER: LD-5473

P:\Projects\2009\09-0107-14\Dec\Control\Issued\Source\dwgs\LD-5473-RR.dwg - Tab: 05 Plotted By: D.Dereche 12/04/2009 [Fr 9:28am] COWLEND