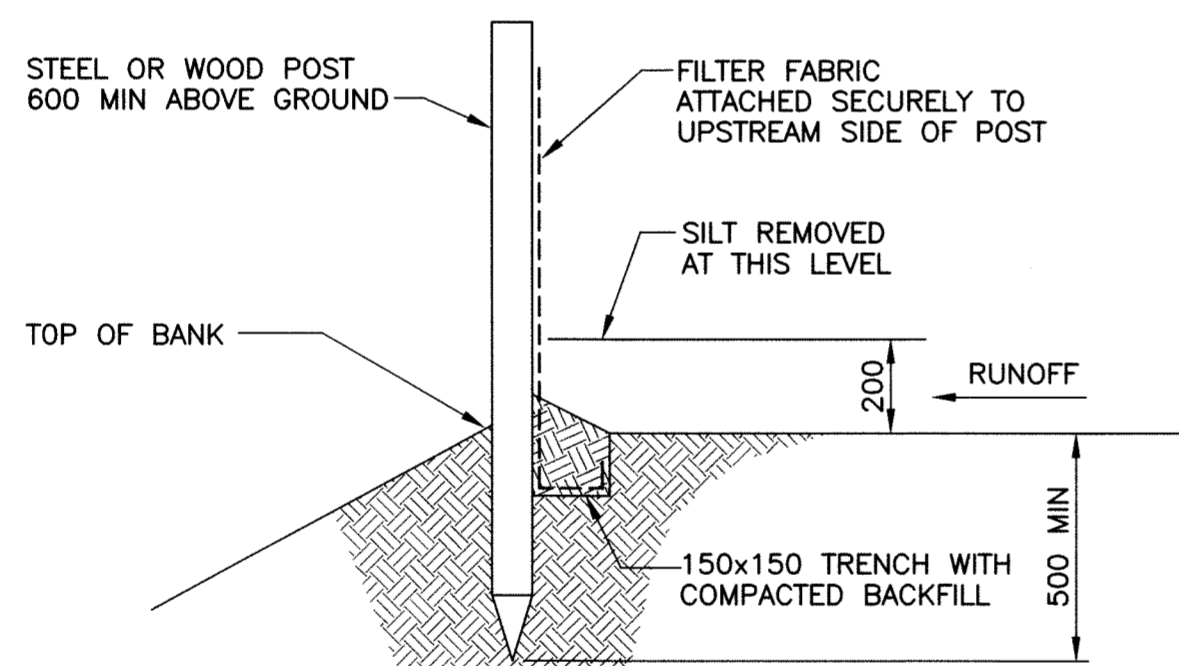
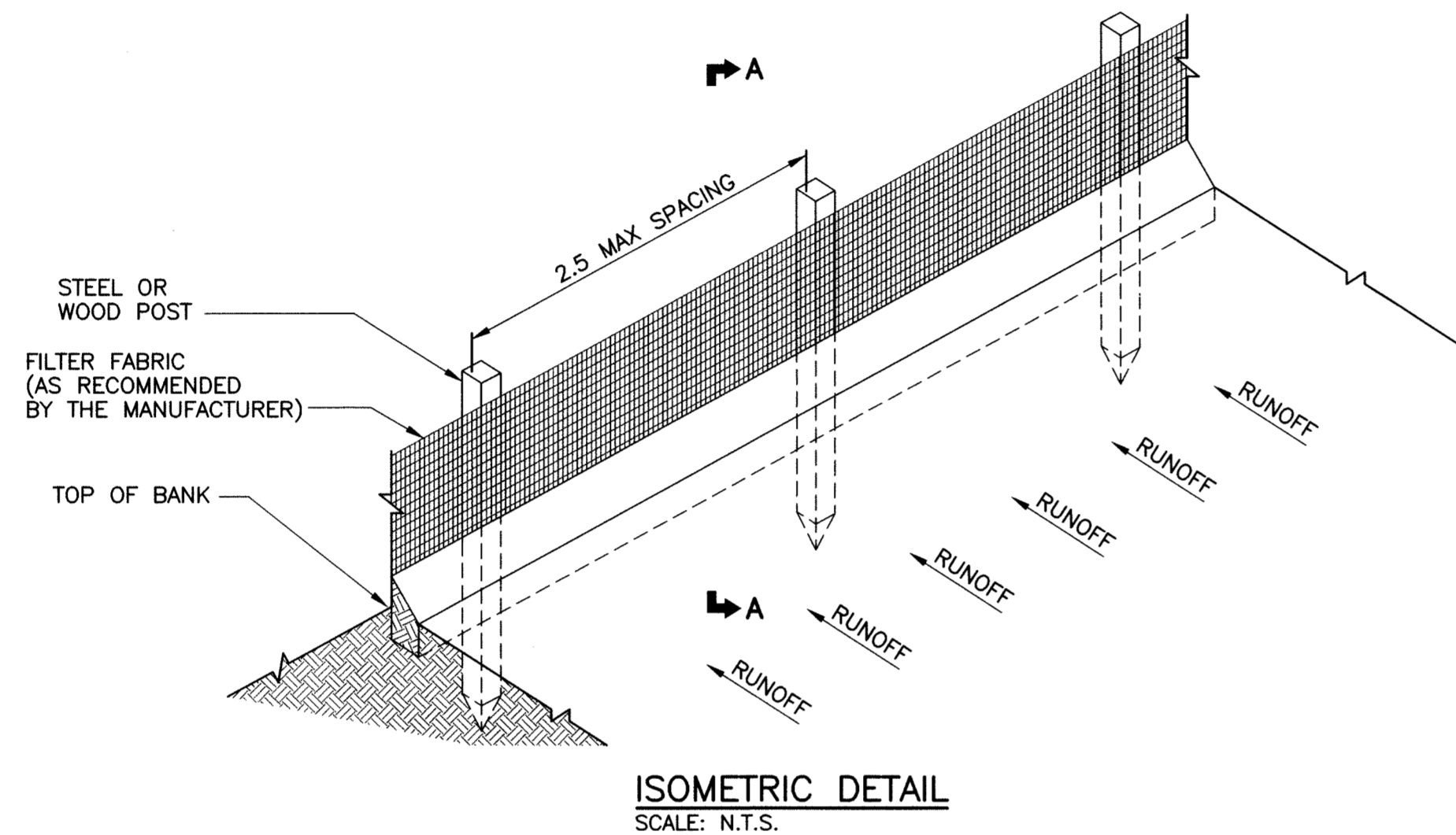
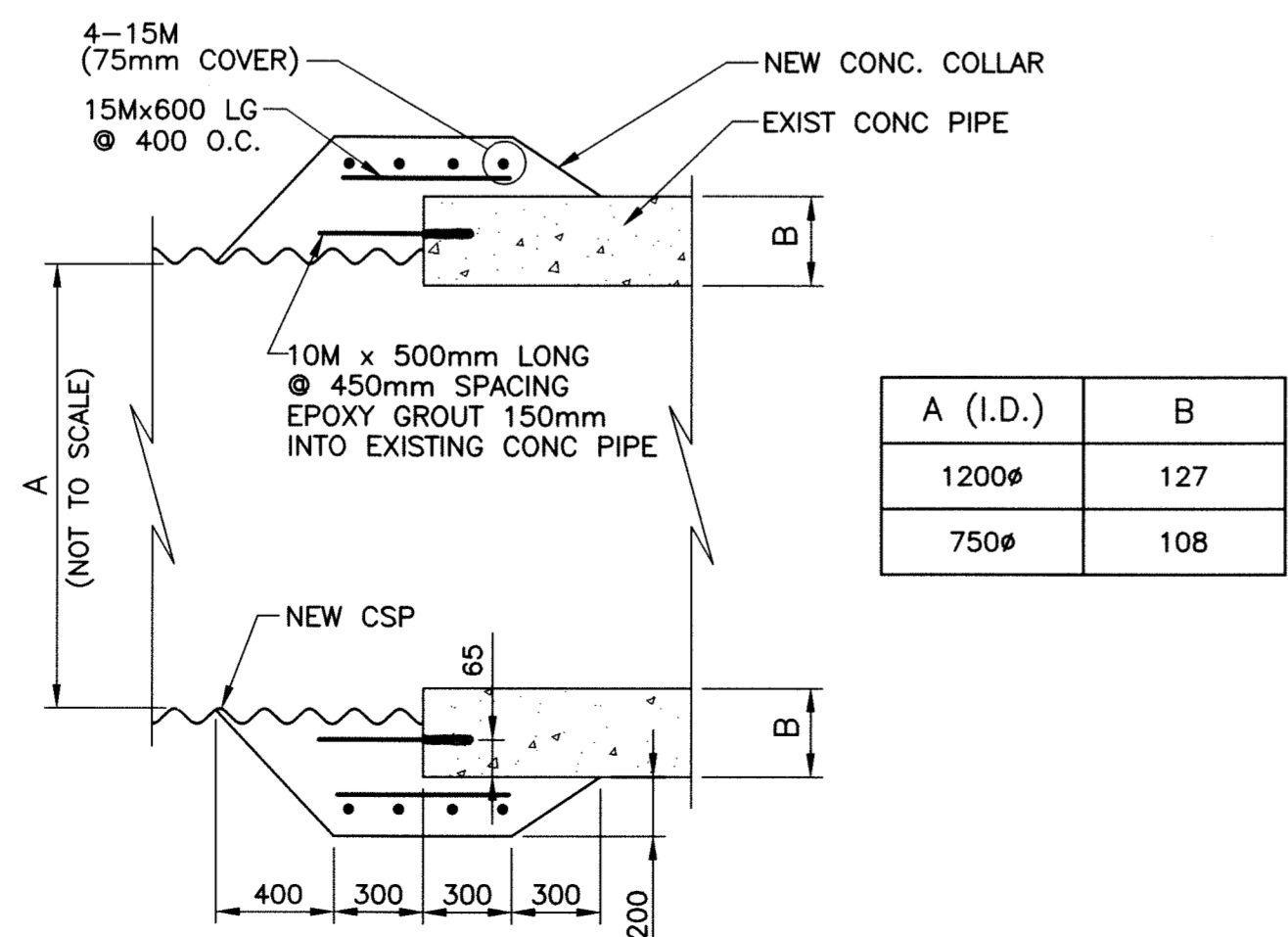


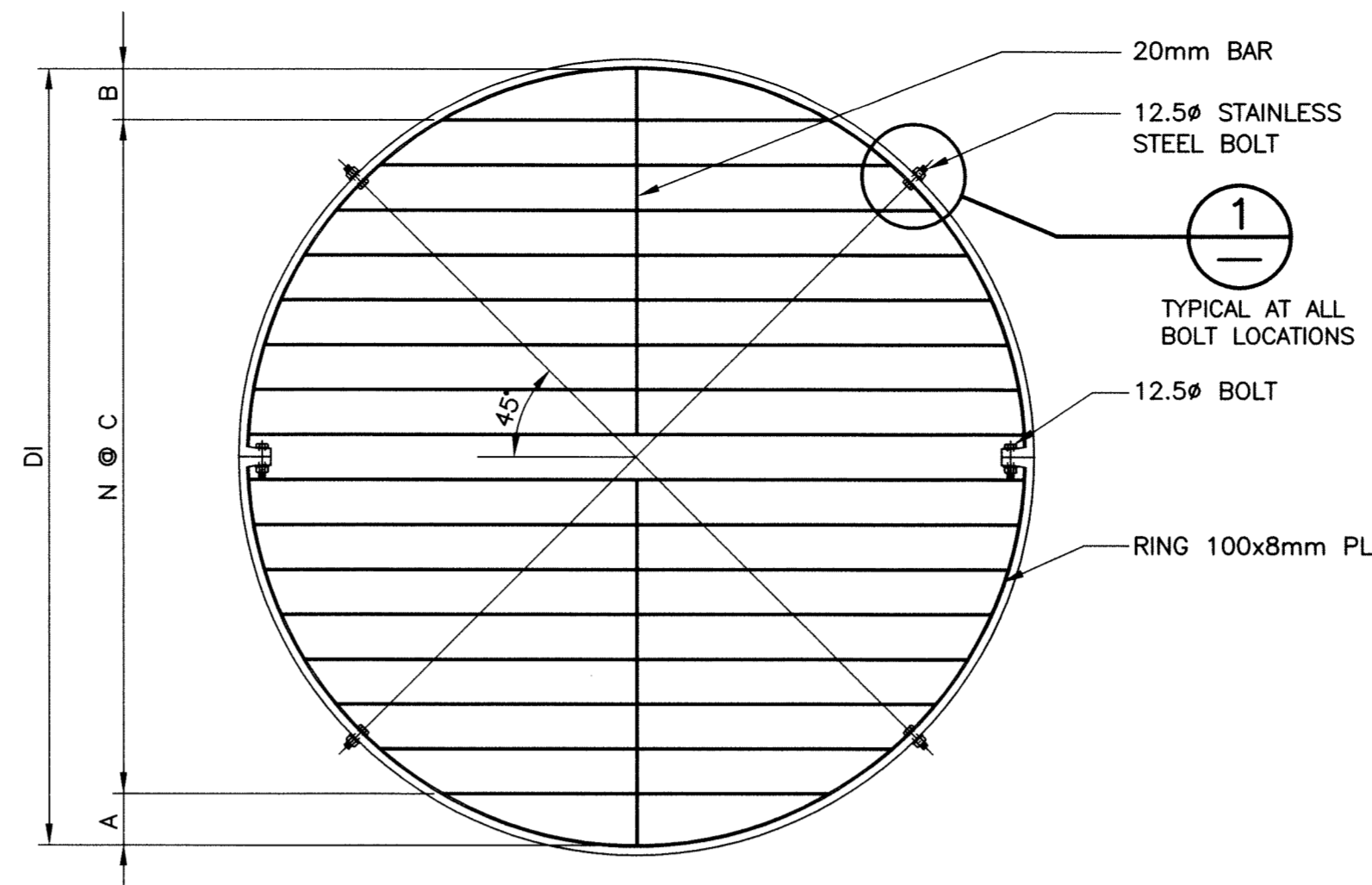
STANDARD PIPE END DETAILS



SILT FENCE DETAILS



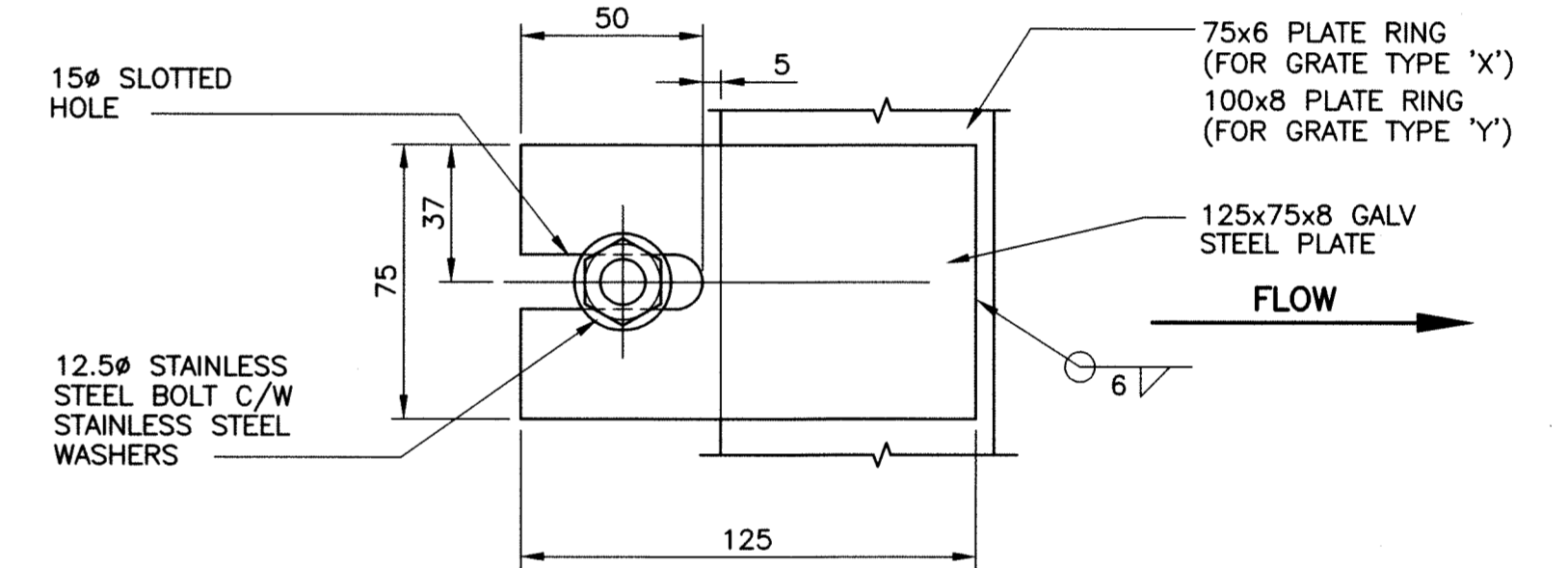
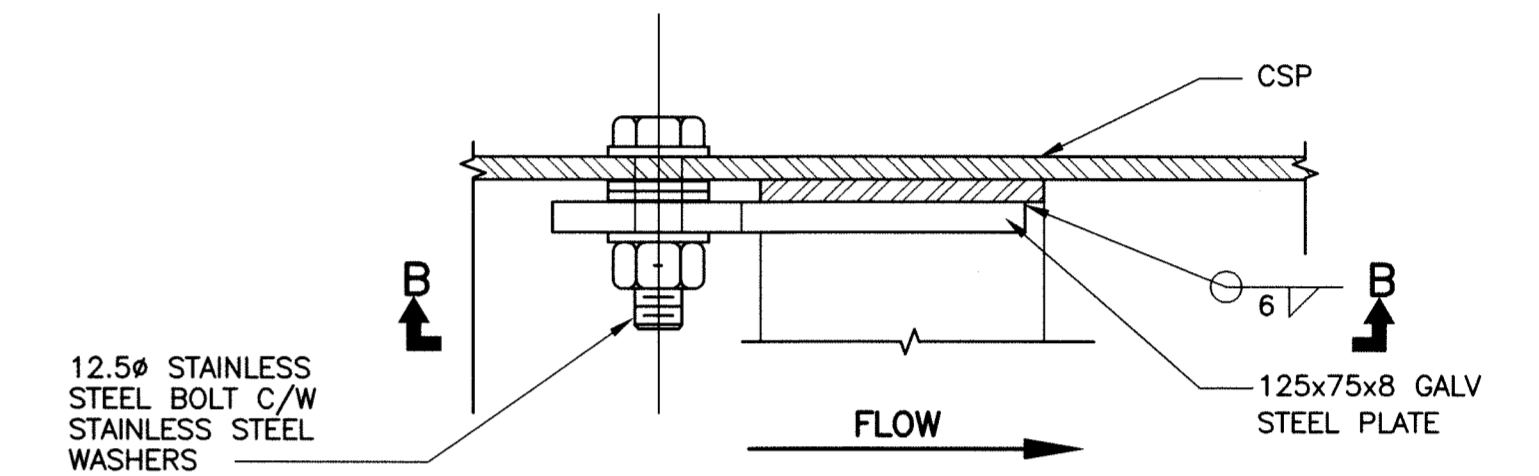
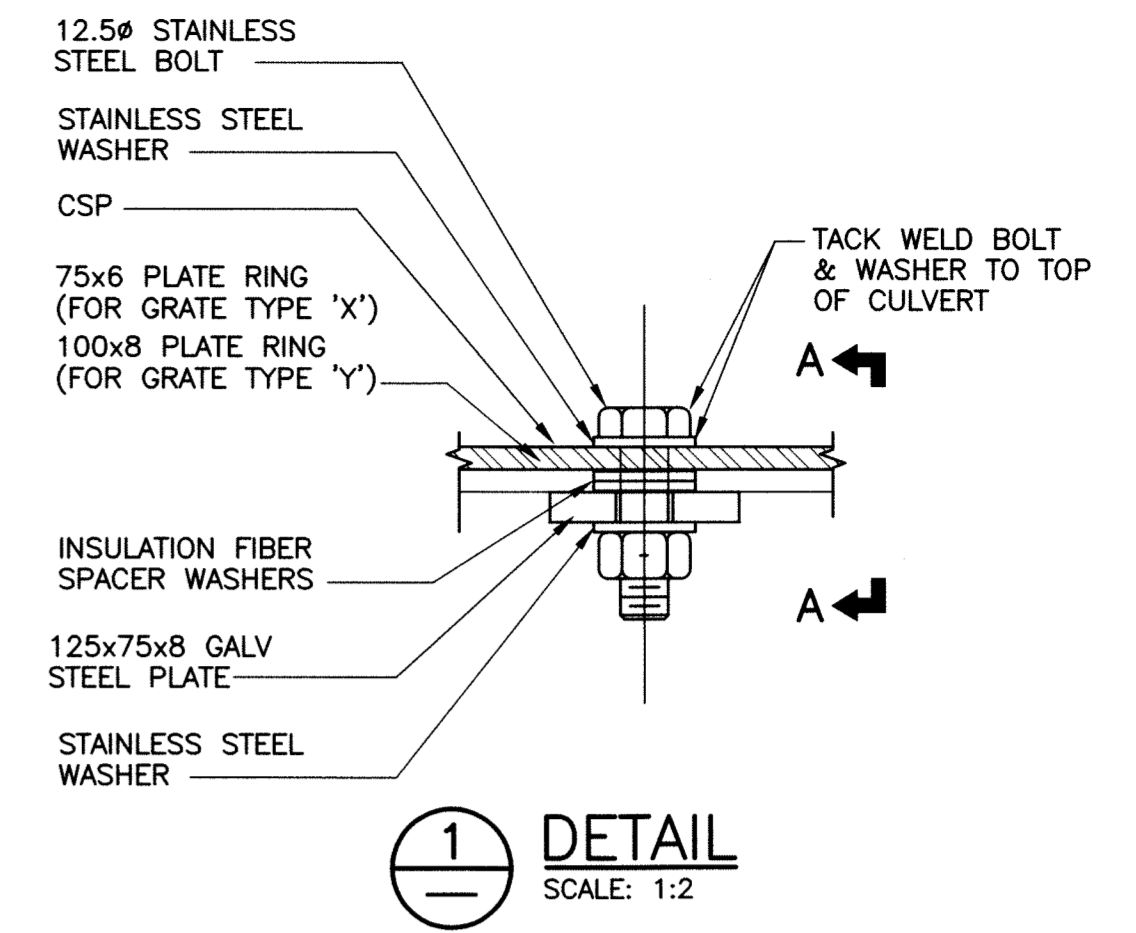
REINFORCED CONCRETE COLLAR DETAIL
SCALE: 1:25



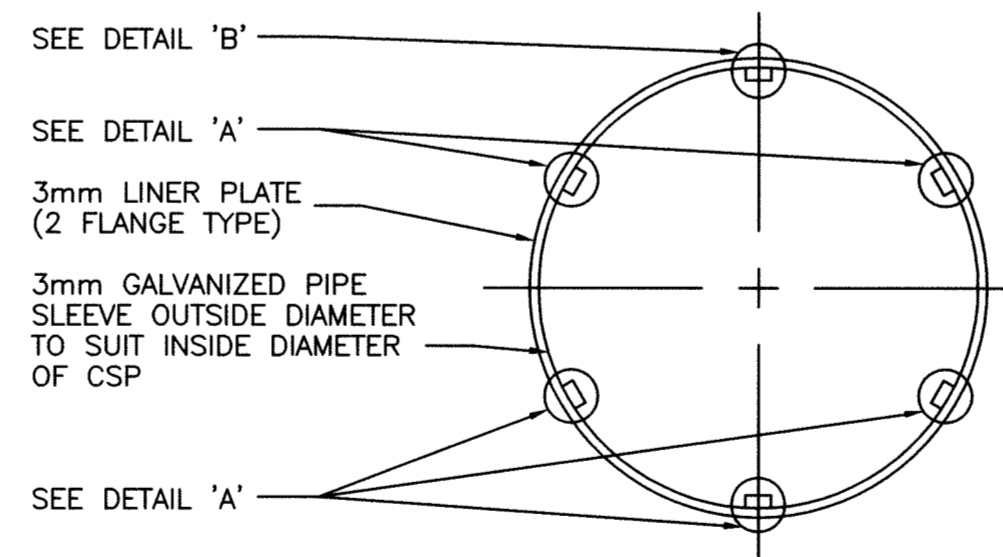
GRATING TYPE 'Y'
SCALE: N.T.S.

LOCATION	PIPE		END CONDITION	DIAMETER D1	TYPE	GRATING					WEIGHT (lbs)
	DIAMETER D	MATERIAL				A	B	C	N		
RADCLIFFE ROAD (RR-11)	750	CSP	1	735±	X	15	150	90	135	3	25
GLASGOW AVENUE (RR-48)	1200	CSP	1	1185±	Y	20	145	150	130	7	72

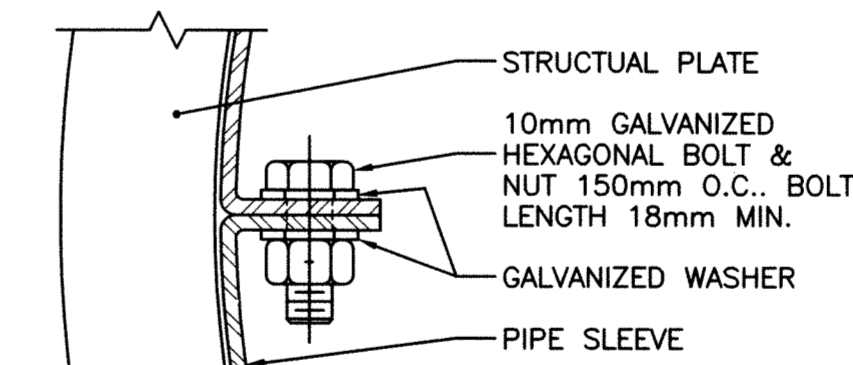
- NOTE:
 1. ALL PLATES AND BARS ARE CSA G40.21-300W.
 2. ALL COMPONENTS ARE GALVANIZED.
 3. ALL BOLTS TO BE TYPE 316 STAINLESS STEEL CONFORMING TO ASTM A320 GRADE B8M



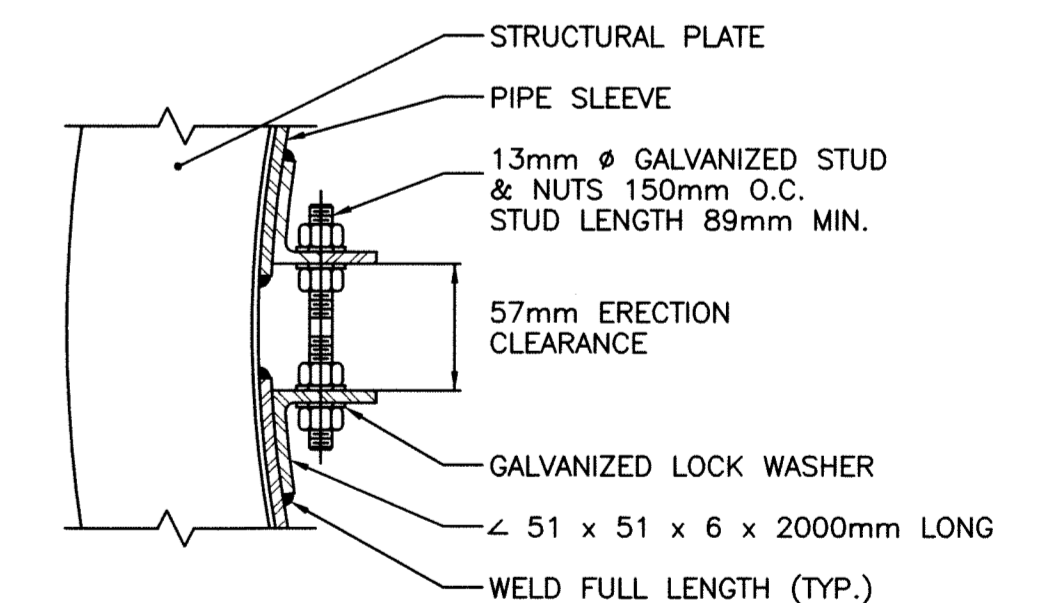
STANDARD DEBRIS GRATE DETAILS



ELEVATION



DETAIL 'A'



DETAIL 'B'

INTERNAL SLIP JOINT DETAILS
SCALE: N.T.S.

P:\Projects\2009\09-0107-14\DocControl\Issued\SOURCE\dwgs\LD-5474-R0.dwg - Tab: 06 Plotted By: Deroche 12/04/2009 [Fri 11:19am] COWLEGGEND

LOCATION APPROVED UNDERGROUND STRUCTURES

SUPV. U/G STRUCTURES COMMITTEE DATE

NOTE:
 LOCATION OF UNDERGROUND STRUCTURES AS SHOWN ARE BASED ON THE BEST INFORMATION AVAILABLE BUT NO GUARANTEE IS GIVEN THAT ALL EXISTING UTILITIES ARE SHOWN OR THAT THE GIVEN LOCATIONS ARE EXACT. CONFIRMATION OF EXISTENCE AND EXACT LOCATION OF ALL SERVICES MUST BE OBTAINED FROM THE INDIVIDUAL UTILITIES BEFORE PROCEEDING WITH CONSTRUCTION.

B.M. KGS BASE ELEV. -

DWGS BASED ON C.S.R.S. NAD 83 SYSTEM, UTM GRID

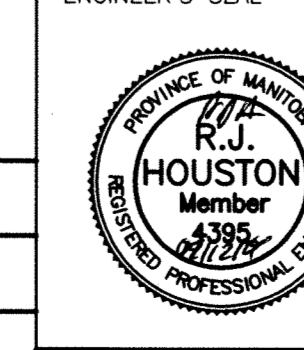
KGS GROUP
CONSULTING ENGINEERS

DESIGNED BY RBO
 CHECKED BY [Signature]
 DRAWN BY GEL
 APPROVED BY [Signature]

SCALE: AS NOTED
 RELEASED FOR CONSTRUCTION: [Signature]

0 ISSUED FOR TENDER 09/12/04 [Signature]
 NO. REVISIONS DATE BY DATE 09/11/25

ENGINEER'S SEAL



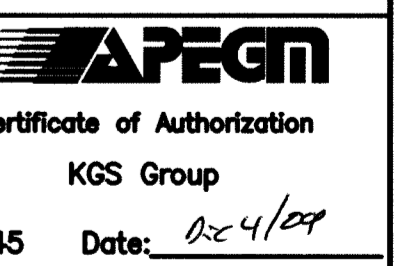
CONSULTANT DRAWING NO. 09-0107-14_06



THE CITY OF WINNIPEG
WATER AND WASTE DEPARTMENT

PROJECT TITLE 2009 OUTFALL MAINTENANCE PROGRAM
 MISCELLANEOUS DETAILS

COMPUTER FILE NAME 09-0107-14
 CITY DRAWING NUMBER LD-5474



SHEET OF 06 OF 07
 CITY DRAWING NUMBER LD-5474