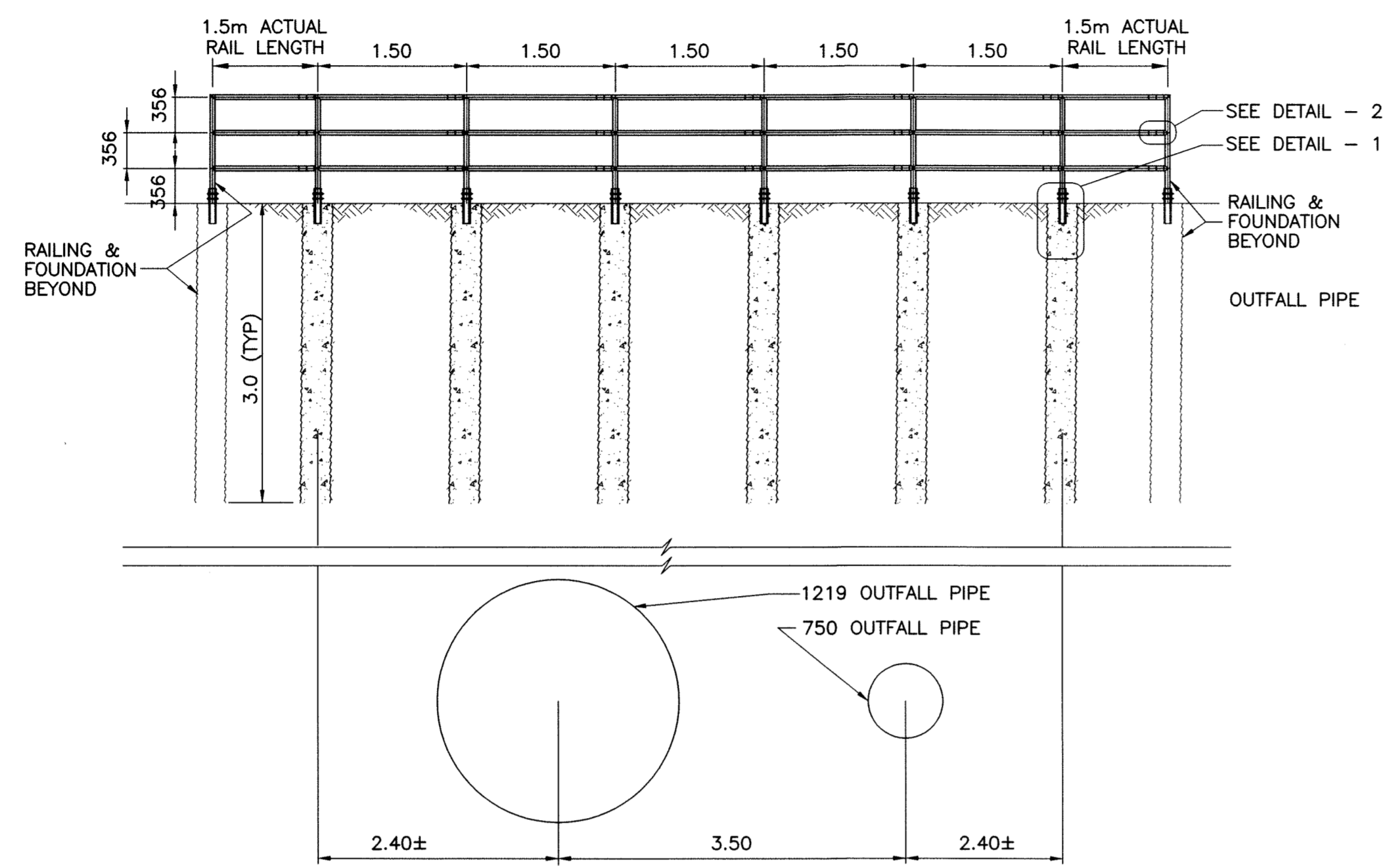
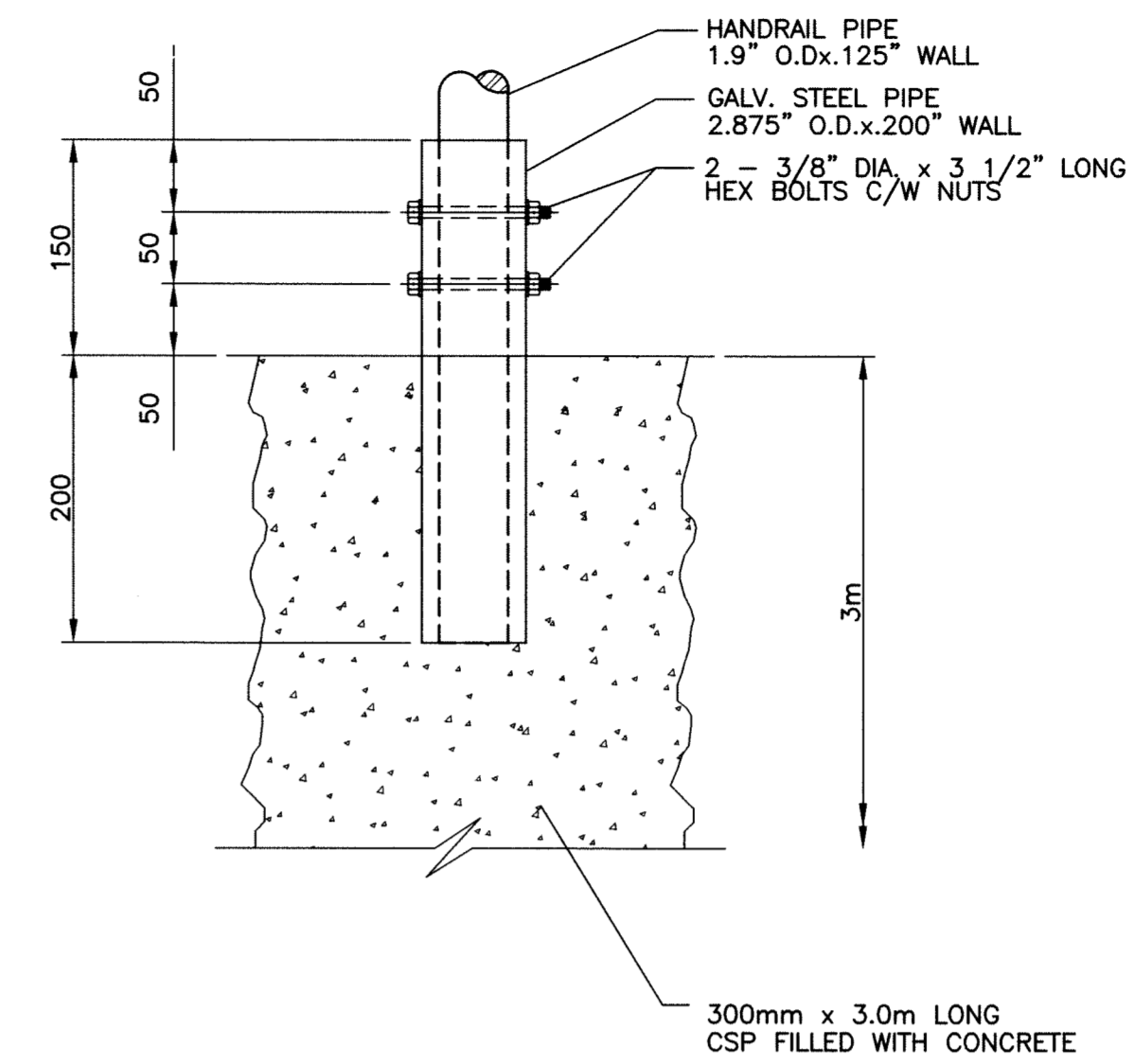
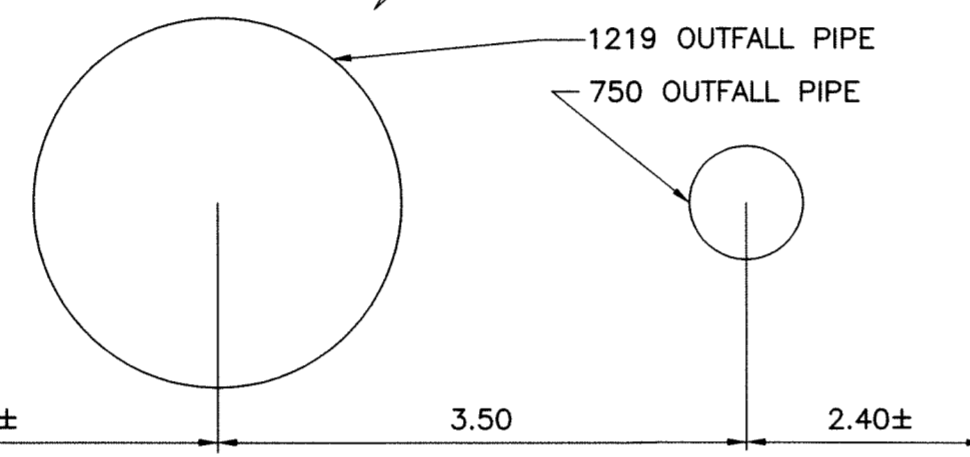


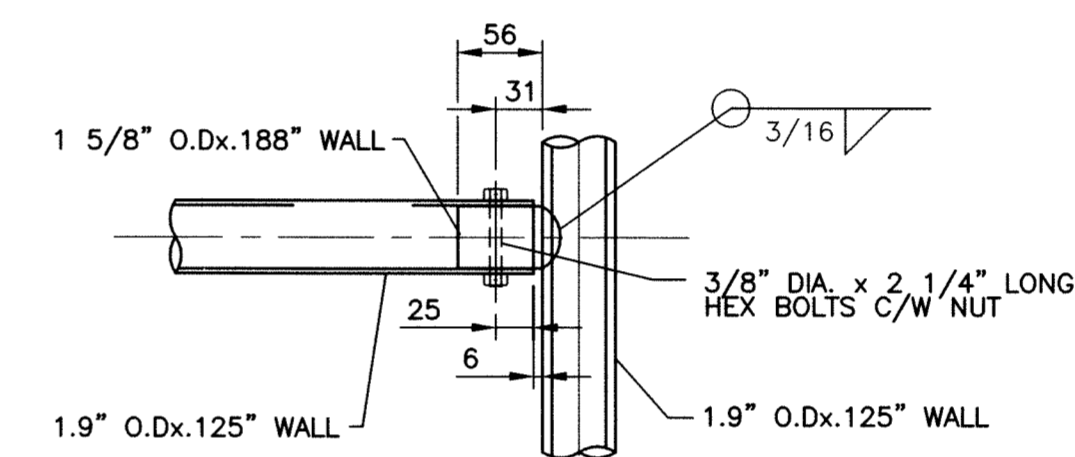
P:\Projects\2009\09-0107-14\Doc.Control\Issued\SOURCE\dwg\LD-5475-R0.dwg - Tab: 07 Plotted By: Dberochte 12/04/2009 [Fri 9:28am]



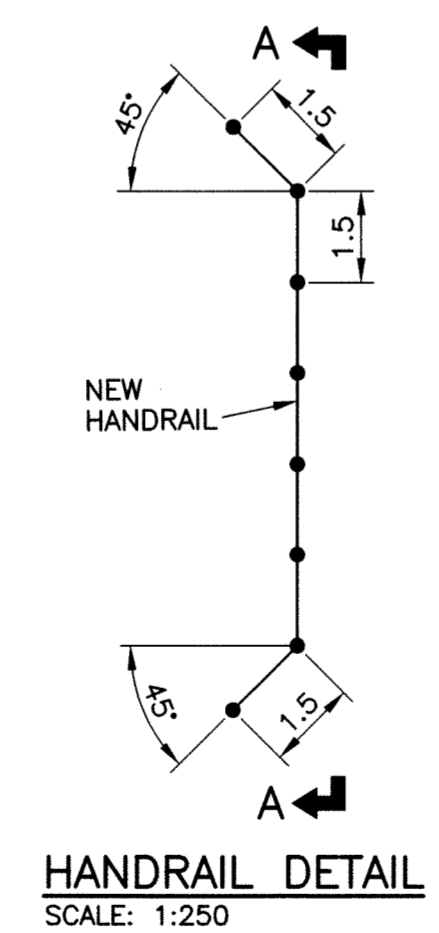
A SECTION
SCALE: 1:50




1 DETAIL
SCALE: 1:5



2 DETAIL
SCALE: 1:5




HANDRAIL DETAIL
SCALE: 1:250



 Certificate of Authorization
 KGS Group
 No. 245 Date: Dec 4/09

LOCATION APPROVED UNDERGROUND STRUCTURES	
SUPV. U/G STRUCTURES COMMITTEE	DATE
NOTE: LOCATION OF UNDERGROUND STRUCTURES AS SHOWN ARE BASED ON THE BEST INFORMATION AVAILABLE BUT NO GUARANTEE IS GIVEN THAT ALL EXISTING UTILITIES ARE SHOWN OR THAT THE GIVEN LOCATIONS ARE EXACT. CONFIRMATION OF EXISTENCE AND EXACT LOCATION OF ALL SERVICES MUST BE OBTAINED FROM THE INDIVIDUAL UTILITIES BEFORE PROCEEDING WITH CONSTRUCTION.	

B.M. KGS BASE ELEV. -	DWGS BASED ON C.S.R.S. NAD 83 SYSTEM, UTM GRID
DESIGNED BY	RBO
CHECKED BY	<i>[Signature]</i>
DRAWN BY	GEL
APPROVED BY	
SCALE:	AS NOTED
RELEASED FOR CONSTRUCTION:	
NO. REVISIONS	DATE BY DATE
0	ISSUED FOR TENDER 09/12/04 <i>[Signature]</i>
	09/11/25

KGS GROUP
 CONSULTING ENGINEERS
 DESIGNED BY: RBO
 CHECKED BY: *[Signature]*
 DRAWN BY: GEL
 APPROVED BY:
 SCALE: AS NOTED
 RELEASED FOR CONSTRUCTION:
 CONSULTANT DRAWING NO. 09-0107-14_07

ENGINEER'S SEAL

 CONSULTANT DRAWING NO. 09-0107-14_07


THE CITY OF WINNIPEG
 WATER AND WASTE DEPARTMENT
 PROJECT TITLE: 2009 OUTFALL MAINTENANCE PROGRAM
 SHEET OF: 07 OF 07
 COMPUTER FILE NAME: 09-0107-14
HAND RAIL DETAILS
 CITY DRAWING NUMBER: LD-5475