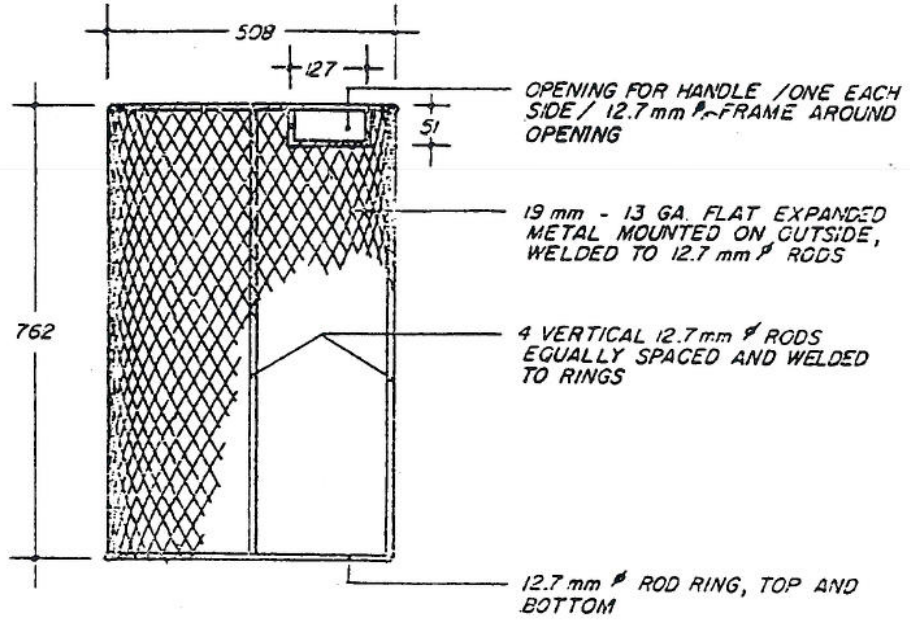


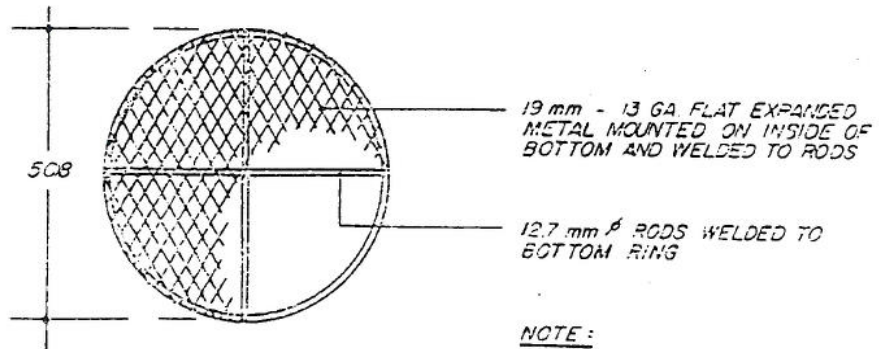
TITLE

# EXPANDED METAL BASKET

SCD-106



SIDE VIEW



BOTTOM VIEW

NOTE:

APPLY ONE COAT OF METAL PRIMER AND ONE COAT ALUMINUM PAINT.

THE CITY OF WINNIPEG

