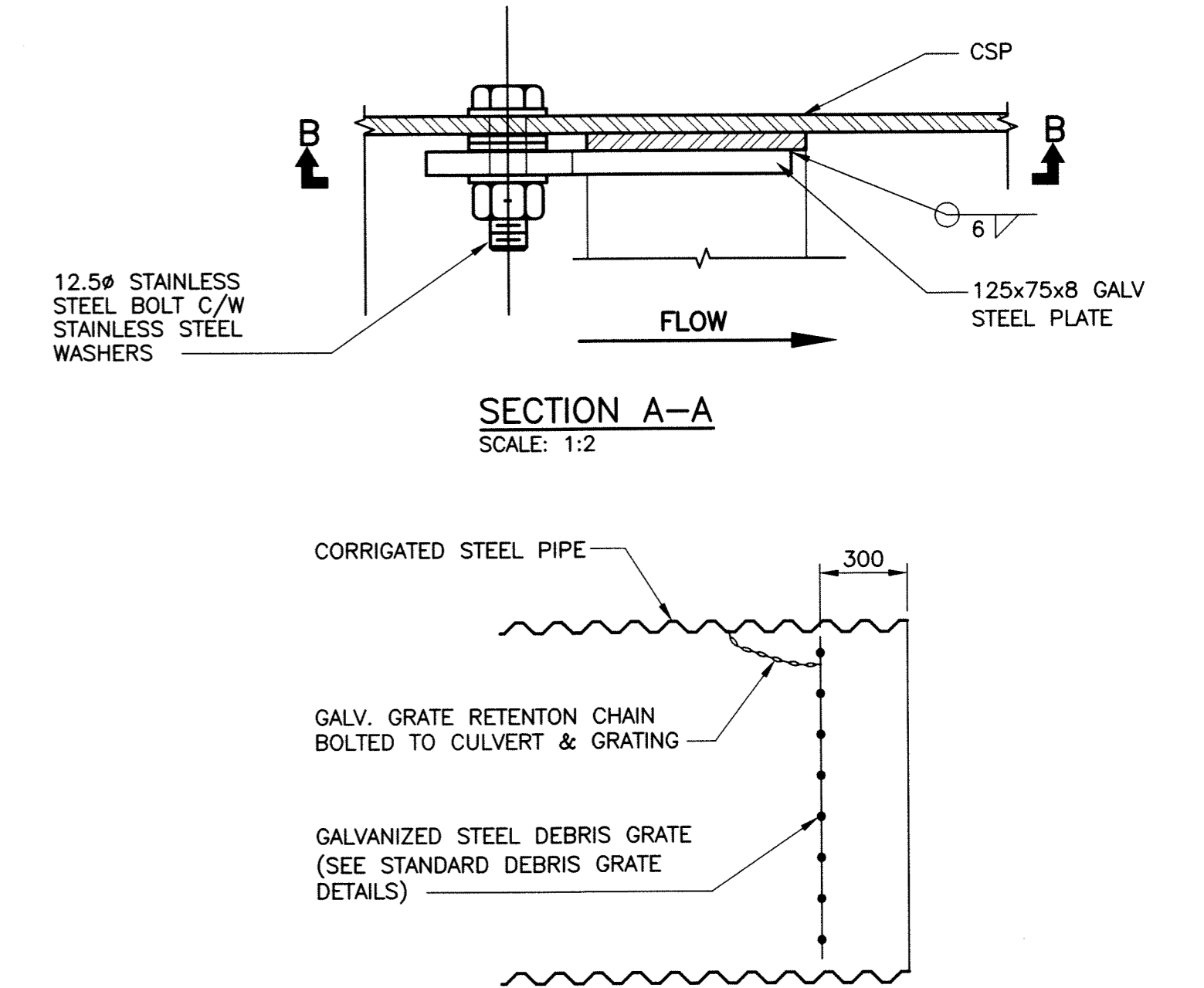
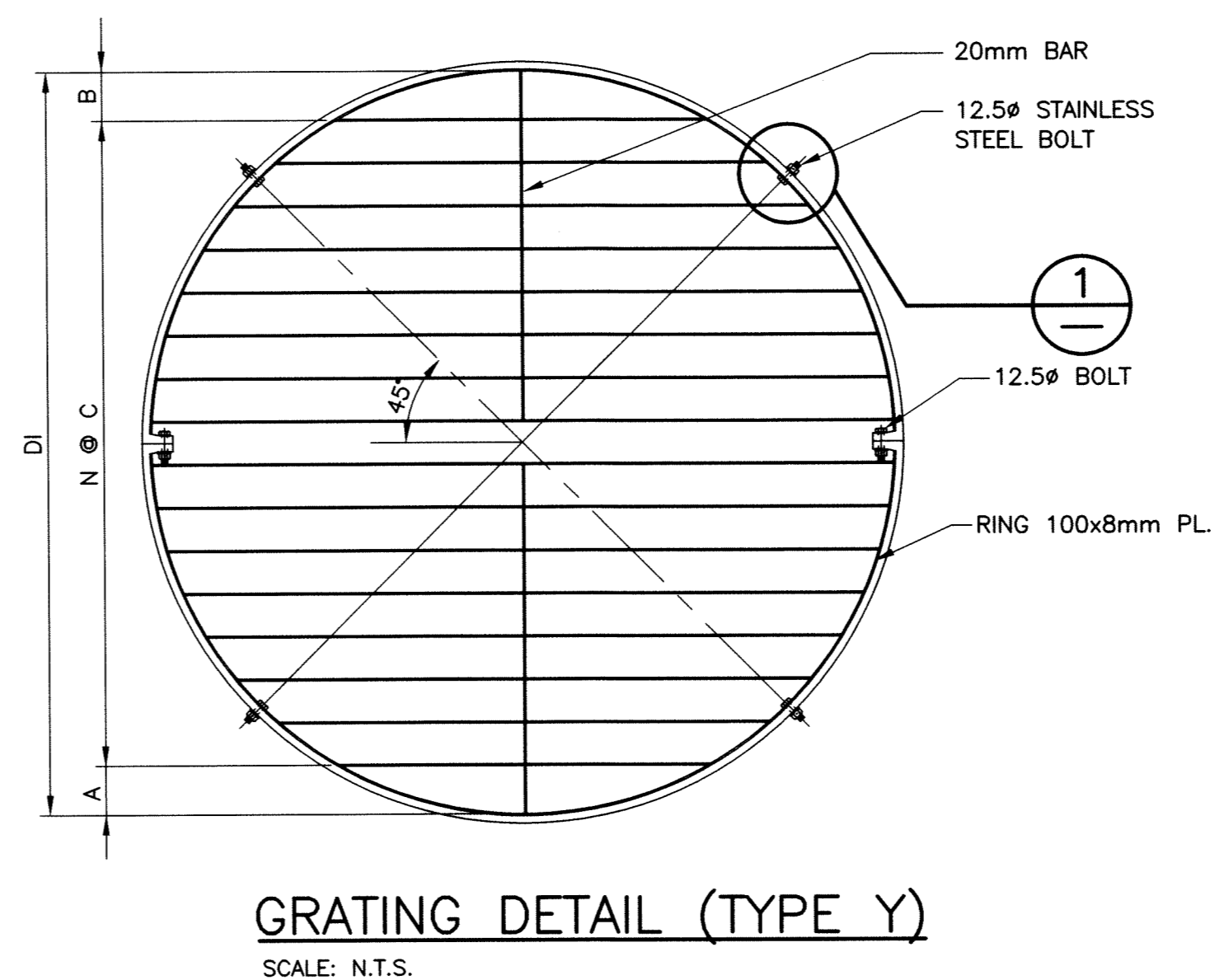
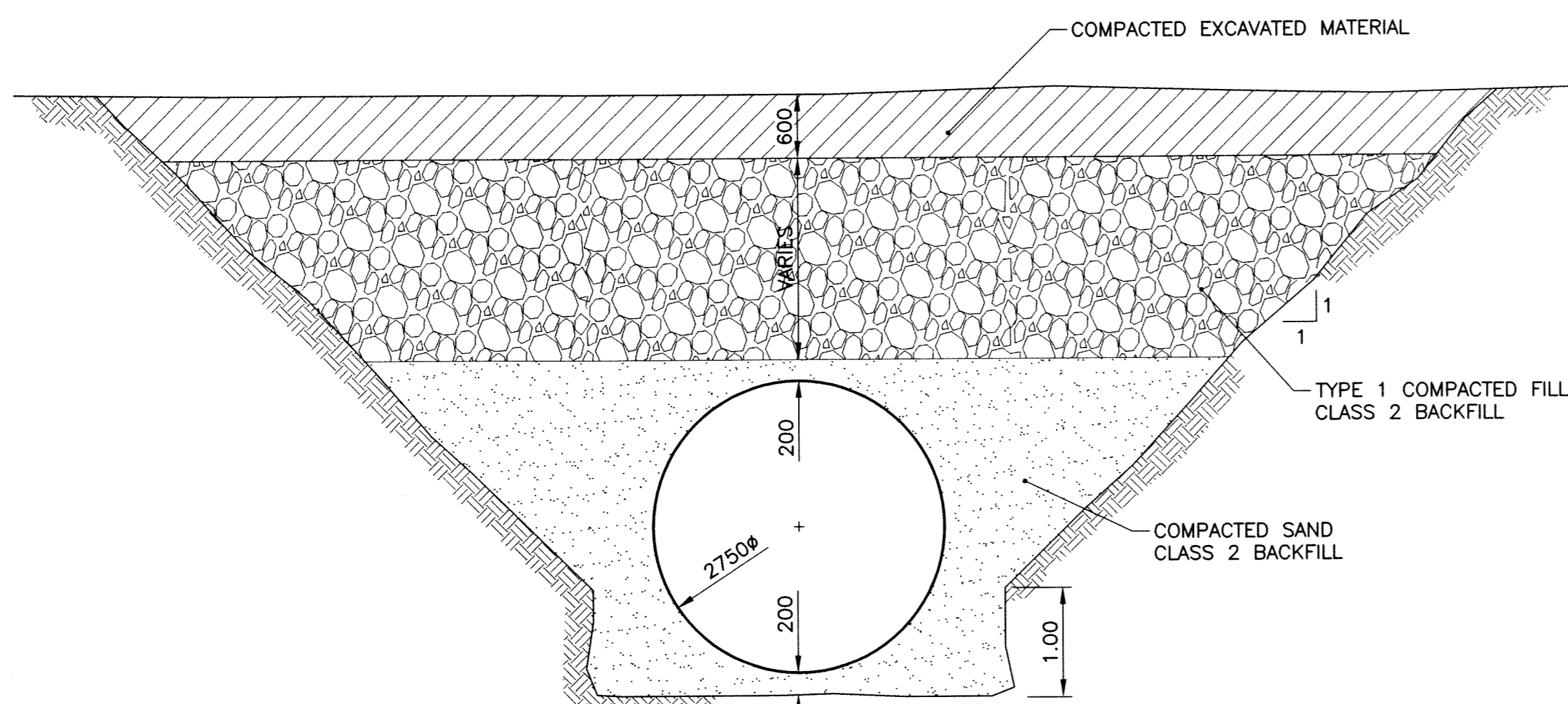
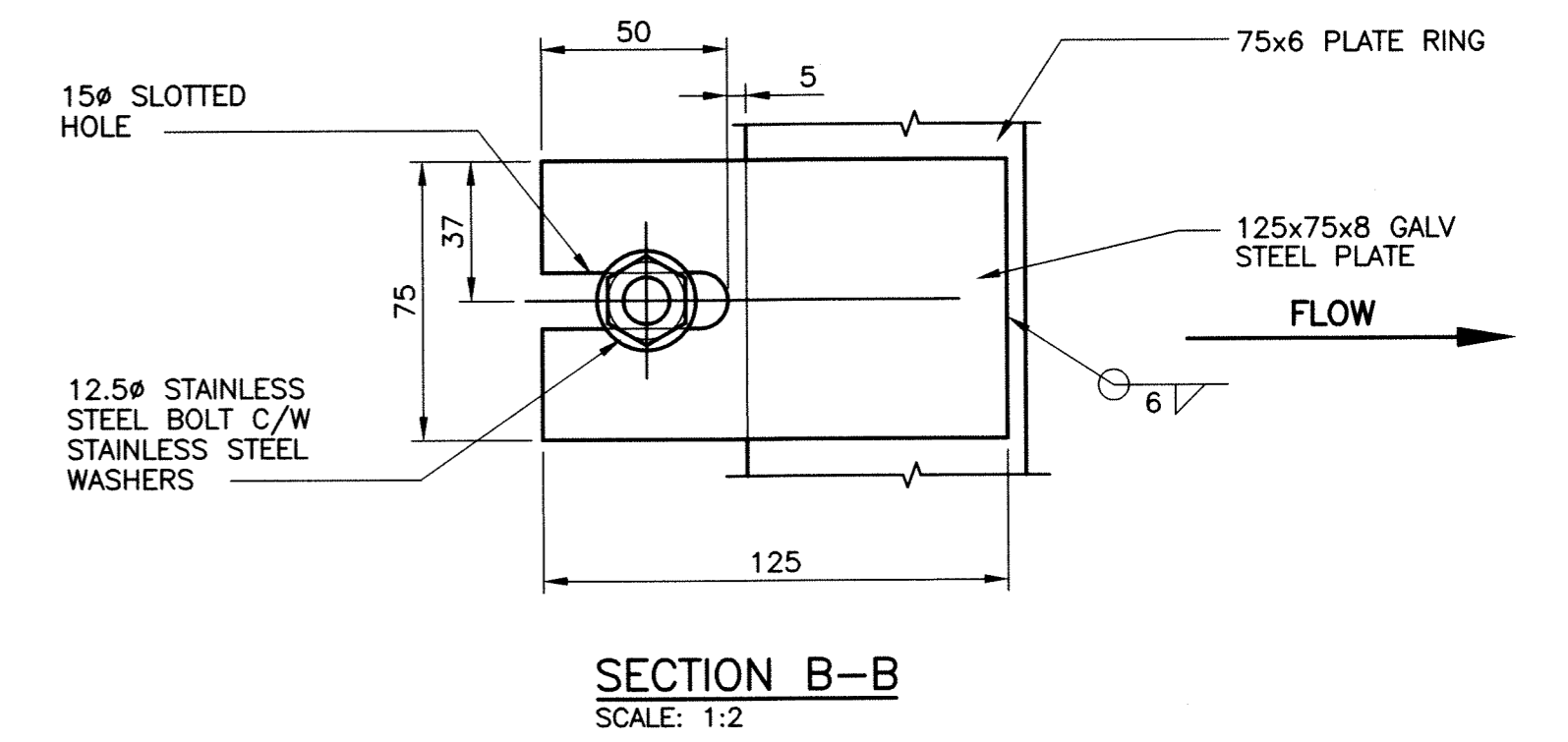
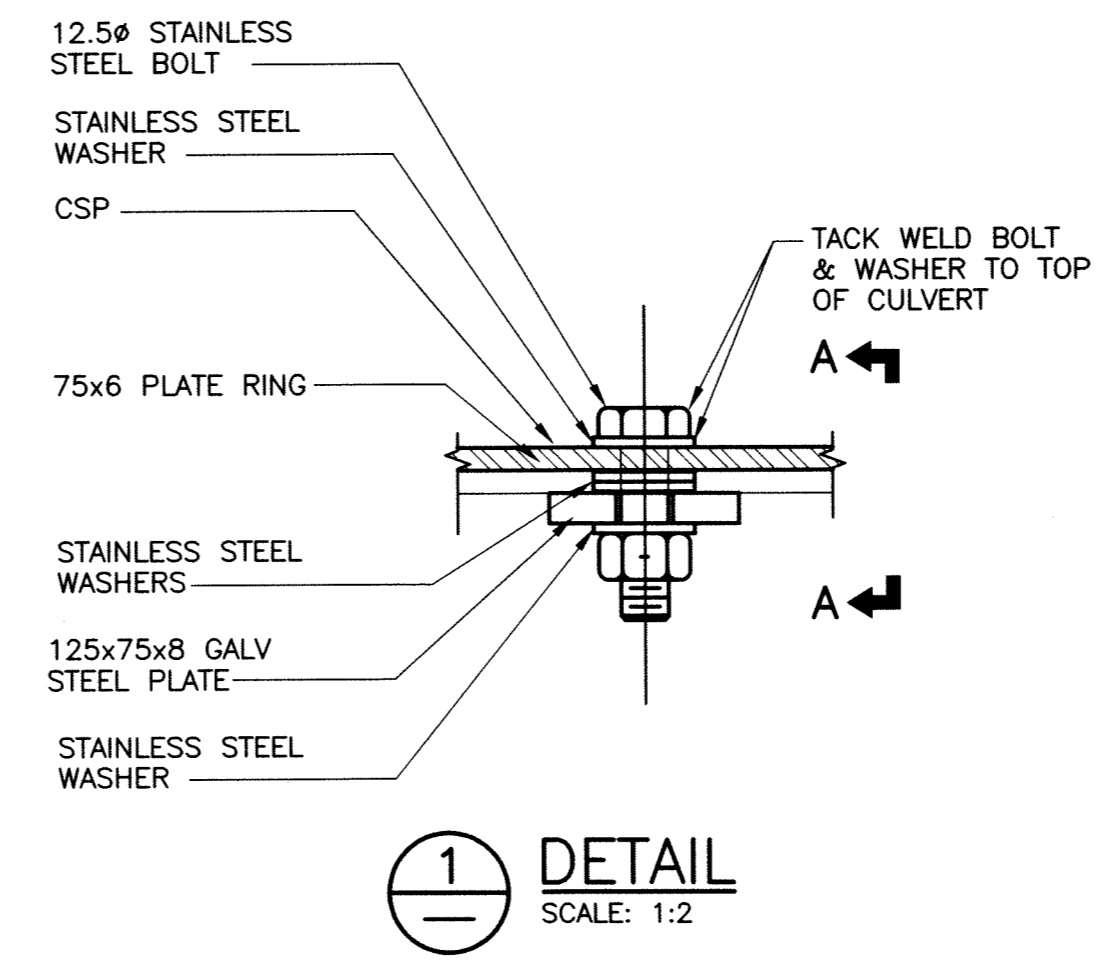


SILT FENCE DETAILS



END CONDITION 1 - DETAIL
SCALE: N.T.S.



DEBRIS GRATE SCHEDULE										
PIPE		END CONDITION	GRATING							
DIAMETER D	MATERIAL		DIAMETER D1	TYPE	BAR DIA.	A	B	C	N	WEIGHT (lbs)
2750	SPCSP	1	2730±	Y	25	165	165	150	16	450

- NOTE:
 1. ALL PLATES AND BARS ARE CSA G40.21-300W.
 2. ALL COMPONENTS ARE GALVANIZED.
 3. ALL BOLTS TO BE TYPE 316 STAINLESS STEEL CONFORMING TO ASTM A320 GRADE B8M

STANDARD DEBRIS GRATE DETAILS

LOCATION APPROVED UNDERGROUND STRUCTURES SUPV. U/G STRUCTURES COMMITTEE DATE _____ NOTE: LOCATION OF UNDERGROUND STRUCTURES AS SHOWN ARE BASED ON THE BEST INFORMATION AVAILABLE BUT NO GUARANTEE IS GIVEN THAT ALL EXISTING UTILITIES ARE SHOWN OR THAT THE GIVEN LOCATIONS ARE EXACT. CONFIRMATION OF EXISTENCE AND EXACT LOCATION OF ALL SERVICES MUST BE OBTAINED FROM THE INDIVIDUAL UTILITIES BEFORE PROCEEDING WITH CONSTRUCTION.		B.M. 29-005 ELEV. 232.044	KGS GROUP CONSULTING ENGINEERS	ENGINEER'S SEAL ORIGINAL SIGNED BY R.J. HOUSTON 09/12/10	THE CITY OF WINNIPEG WATER AND WASTE DEPARTMENT PROJECT TITLE RAVELSTON LAND DRAINAGE PUMPING STATION OUTFALL PIPE REPLACEMENT	SHEET OF 02 03 COMPUTER FILE NAME RAVELSTON-PLOT.DWG CITY DRAWING NUMBER LD-5487
DESIGNED BY: RBO DRAWN BY: GEL 1 RE-ISSUED FOR TENDER 10/01/11 0 ISSUED FOR TENDER 09/12/10 NO. REVISIONS BY DATE	CHECKED BY: RJH APPROVED BY: RELEASED FOR CONSTRUCTION:	HOR. SCALE: AS NOTED VERTICAL: AS NOTED DATE: 09/11/13	CONSULTANT DRAWING NO. 09-0107-15-C02	MISCELLANEOUS DETAILS		

P:\PROJECTS\2007\07-0107-05\MJUN.DWG\RAVELSTONE SEWER.DWG BASE-PL0T.DWG