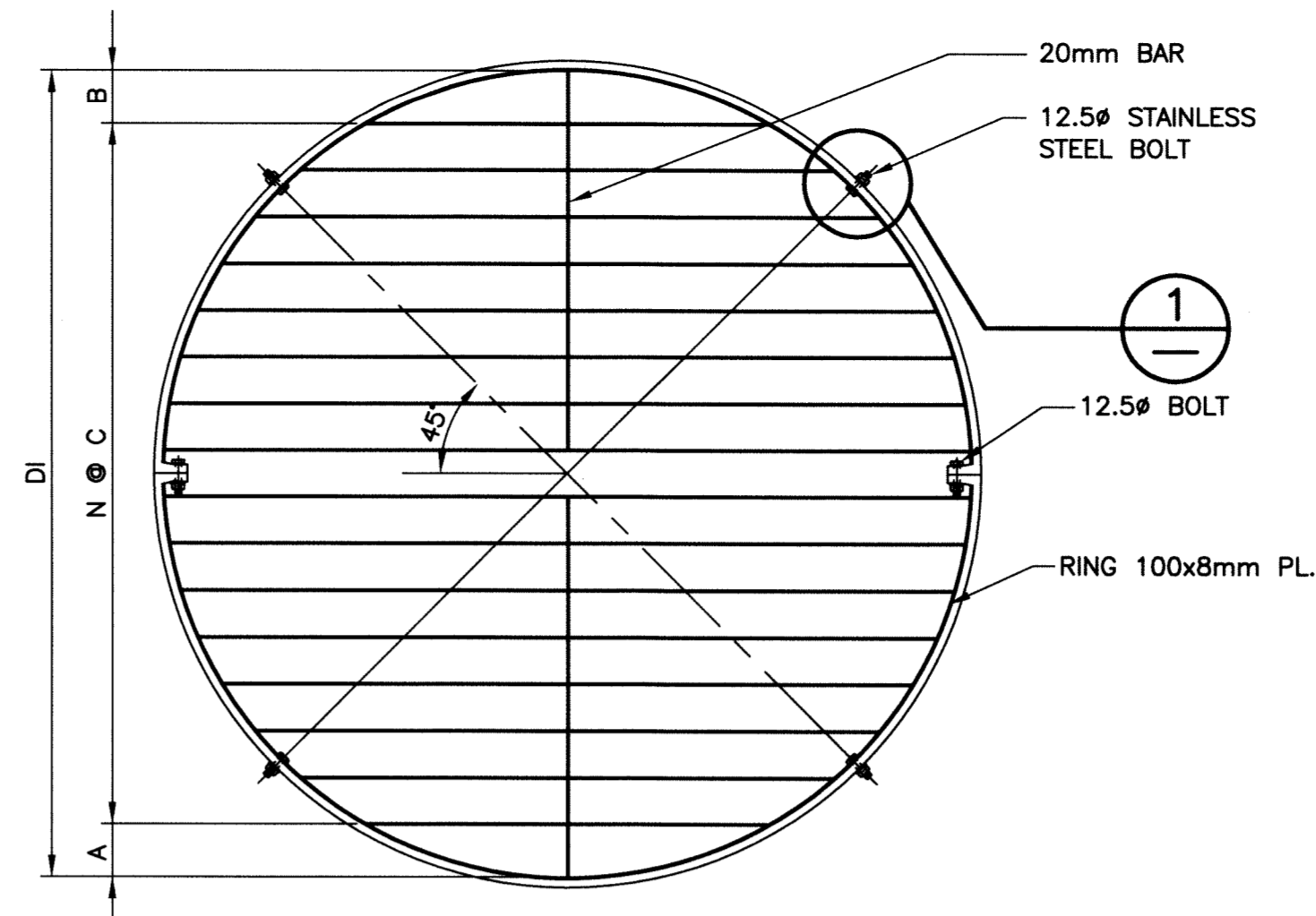
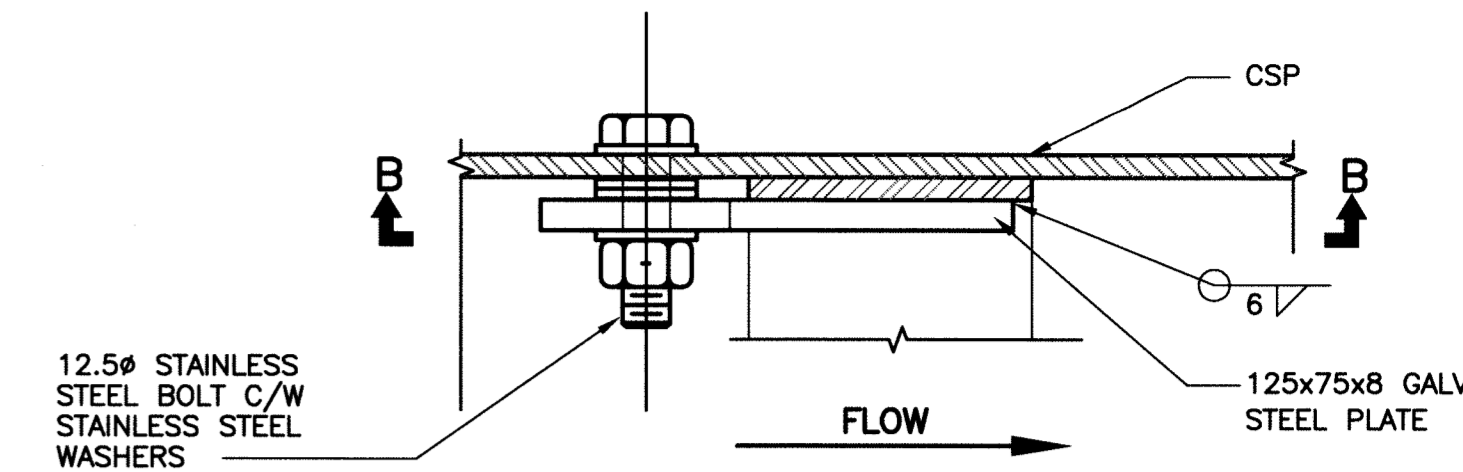


**SILT FENCE DETAILS**



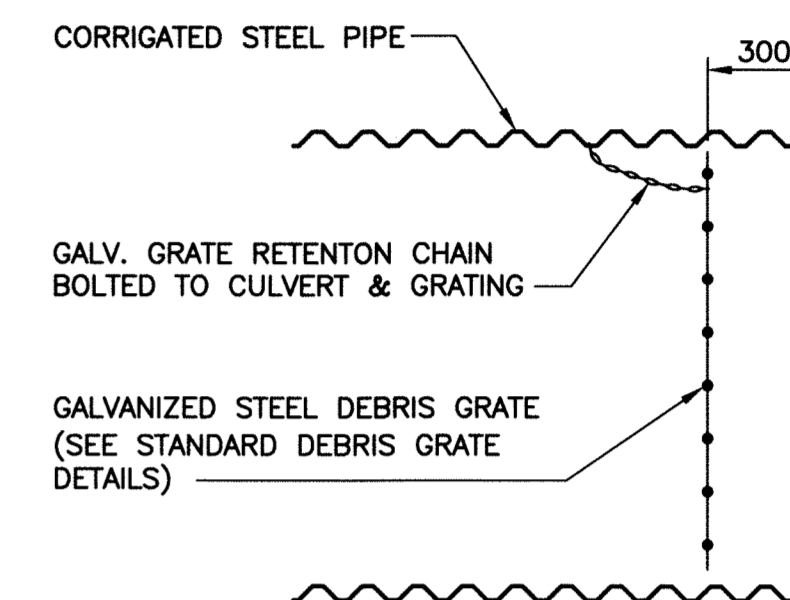
**GRATING DETAIL (TYPE Y)**

SCALE: N.T.S.



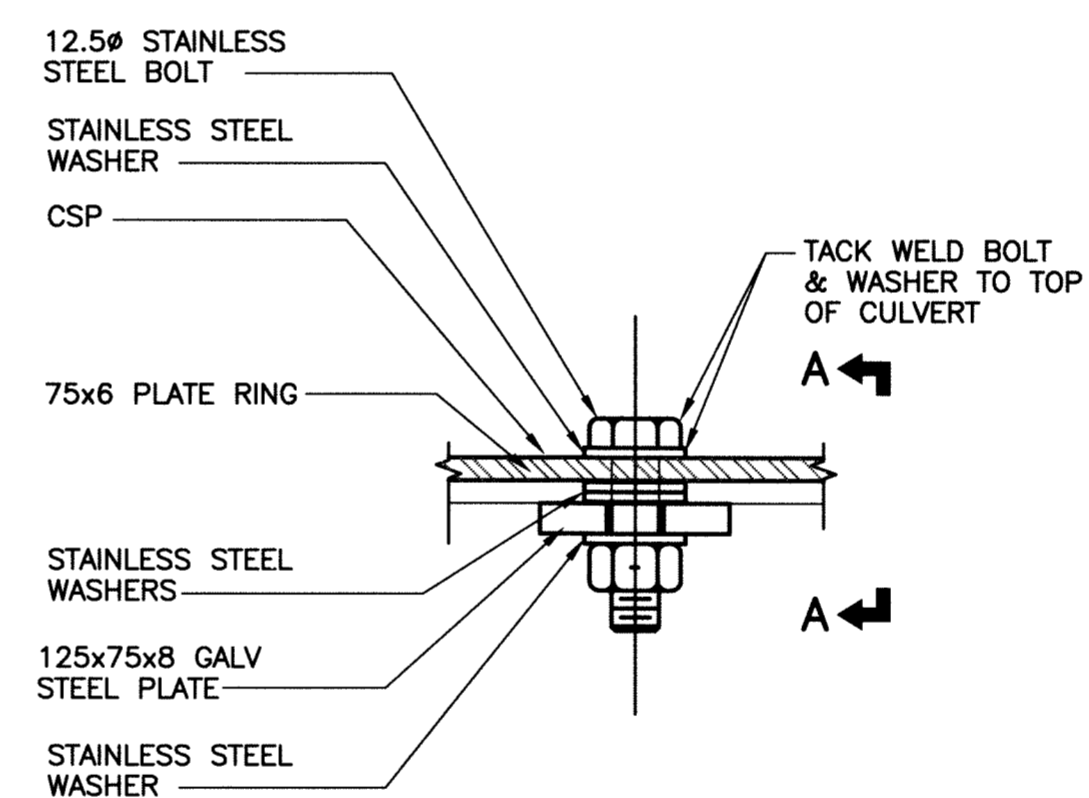
**SECTION A-A**

SCALE: 1:2



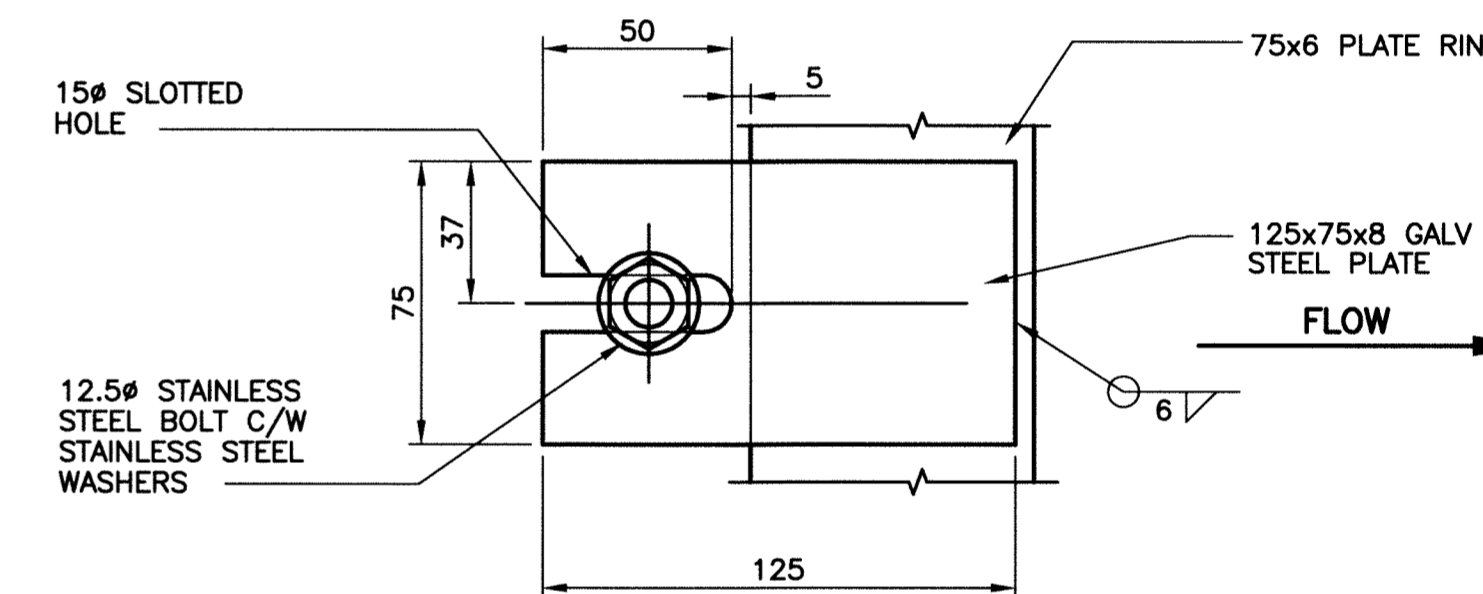
**END CONDITION 1 - DETAIL**

SCALE: N.T.S.



**1 DETAIL**

SCALE: 1:2



**SECTION B-B**

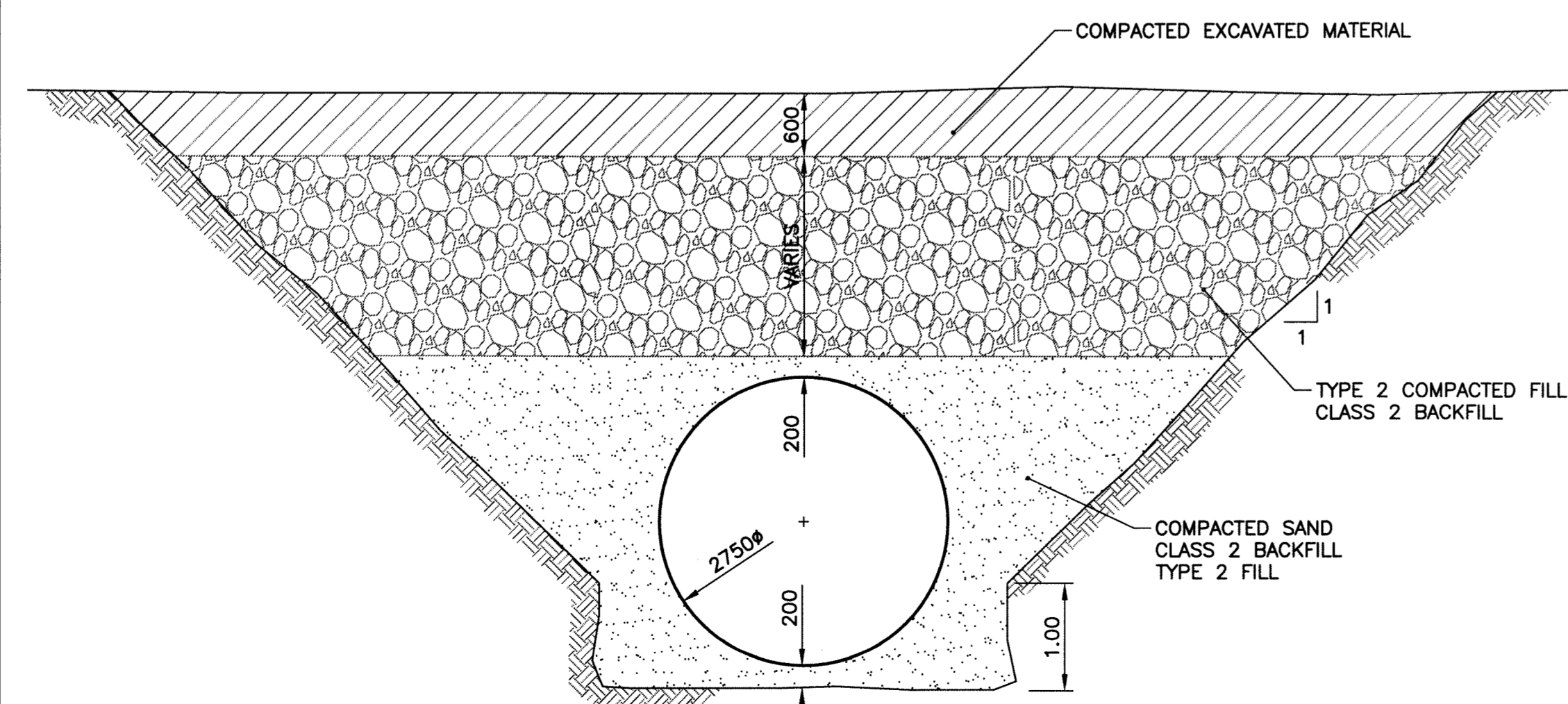
SCALE: 1:2

DEBRIS GRATE SCHEDULE										
PIPE		END CONDITION	GRATING							
DIAMETER D	MATERIAL		DIAMETER D1	TYPE	BAR DIA	A	B	C	N	WEIGHT (lbs)
2750	SPCSP	1	2730±	Y	25	165	165	150	16	450

NOTE:

1. ALL PLATES AND BARS ARE CSA G40.21-300W.
2. ALL COMPONENTS ARE GALVANIZED.
3. ALL BOLTS TO BE TYPE 316 STAINLESS STEEL CONFORMING TO ASTM A320 GRADE B8M

**STANDARD DEBRIS GRATE DETAILS**



**MODIFIED CLASS 2 BACKFILL**

SCALE: 1:50

**LOCATION APPROVED UNDERGROUND STRUCTURES**

SUPV. U/G STRUCTURES COMMITTEE DATE

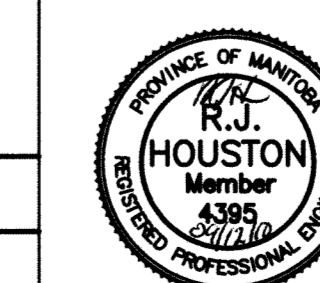
NOTE: LOCATION OF UNDERGROUND STRUCTURES AS SHOWN ARE BASED ON THE BEST INFORMATION AVAILABLE BUT NO GUARANTEE IS GIVEN THAT ALL EXISTING UTILITIES ARE SHOWN OR THAT THE GIVEN LOCATIONS ARE EXACT. CONFIRMATION OF EXISTENCE AND EXACT LOCATION OF ALL SERVICES MUST BE OBTAINED FROM THE INDIVIDUAL UTILITIES BEFORE PROCEEDING WITH CONSTRUCTION.

B.M. 29-005  
ELEV. 232.044

DESIGNED BY	RBO	CHECKED BY	RBO
DRAWN BY	GEL	APPROVED BY	
HOR. SCALE:	AS NOTED	RELEASED FOR CONSTRUCTION:	
VERTICAL:	AS NOTED		
NO. ISSUED FOR TENDER	09/12/10	BY	
NO. REVISIONS		DATE	09/11/13



ENGINEER'S SEAL



CONSULTANT DRAWING NO.  
09-0107-15-C02

**METRIC**

WHOLE NUMBERS INDICATE MILLIMETRES  
DECIMALIZED NUMBERS INDICATE METRES



Certificate of Authorization  
KGS Group

No. 245 Date: 09/12/10



**THE CITY OF WINNIPEG**  
WATER AND WASTE DEPARTMENT

PROJECT TITLE  
RAVELSTON LAND DRAINAGE PUMPING STATION  
OUTFALL PIPE REPLACEMENT

MISCELLANEOUS DETAILS

SHEET OF

02 03

COMPUTER FILE NAME

RAVELSTON-PLOT.DWG

CITY DRAWING NUMBER

LD-5487

P:\PROJECTS\2007\07-0107-05\MAIN DWGS\RAVELSTONE -SEWER\DWG\BASE-PL0T.DWG