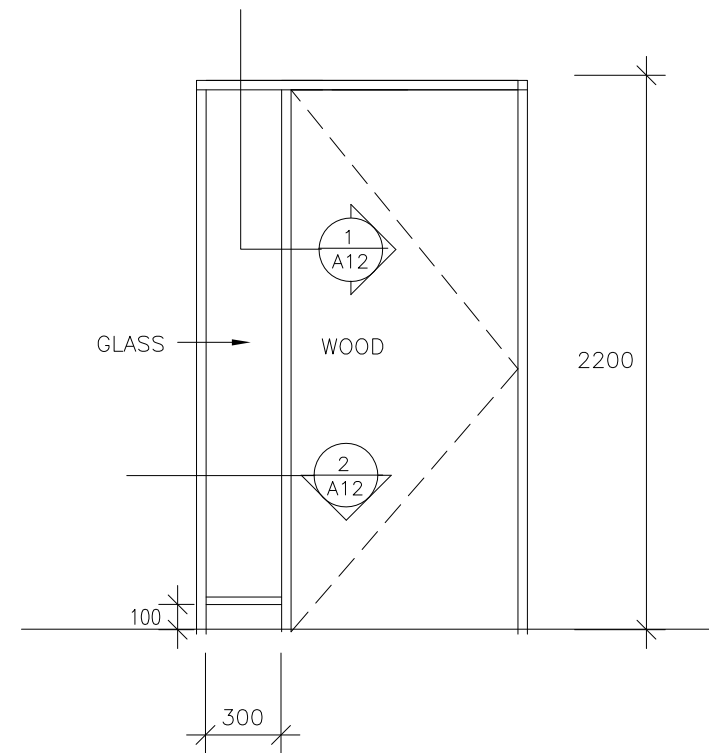
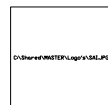


**2** EXTERIOR WALL OF OFFICES  
**A11** 1:50



**DOOR & SIDELIGHT ELEVATION**  
 1:30



13 ROSEWARNE AVE WINNIPEG, MB.  
 R2M 0V8  
 P 204 233-9159 F 237-4769  
 malvine@synergyinteriors.com

CLIENT CITY OF WINNIPEG, RENOVATIONS TO ENGINEERING & RECORDS STORAGE AREAS WATER & WASTE OFFICES  
 1199 PACIFIC AVE.

C.C.

DATE NOV 2009	SCALE	REVISIONS
DRAWN BY M.G.	CHECKED BY M.G.	

DWG  
 A-11