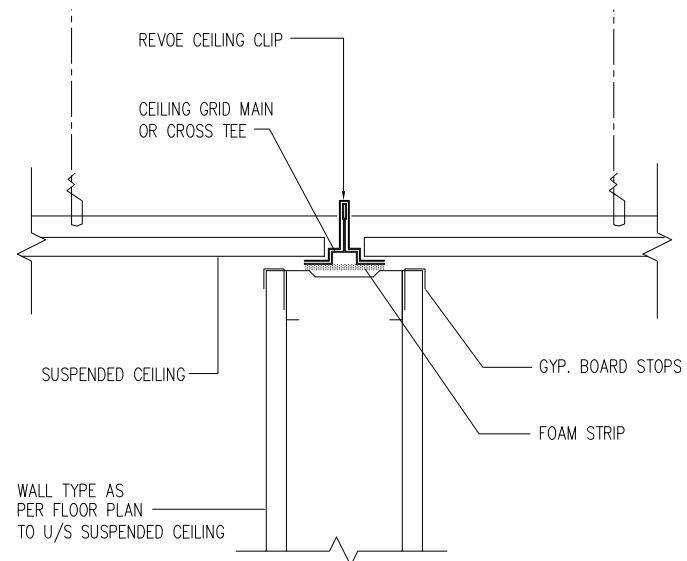
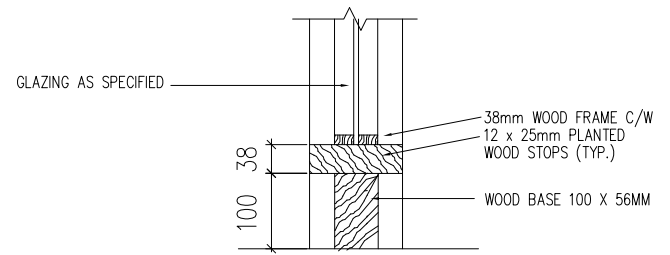
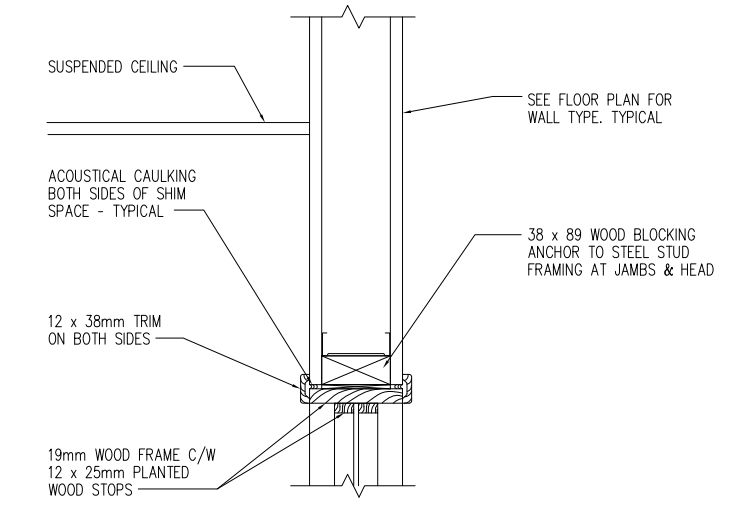


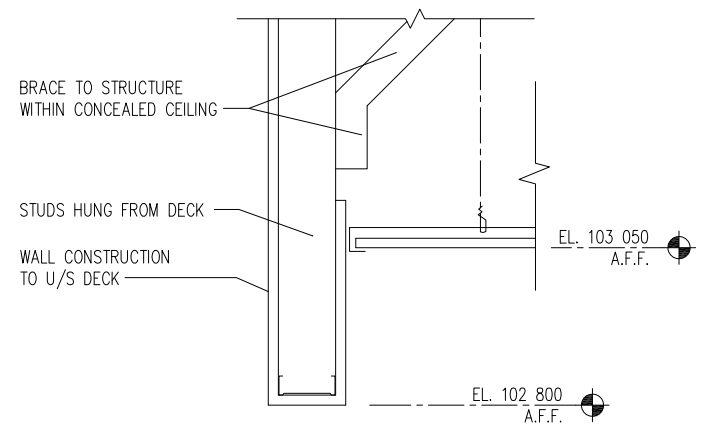
2
A12
DOOR JAMB AND SIDELITE
SCALE: 1:7.5



4
A12
SECTION AT TYPICAL PARTITION TO UNDERSIDE OF SUSPENDED CEILING
SCALE: 1:7.5



1
A12
DETAIL AT SIDELITE
SCALE: 1:7.5



3
A12
TYPICAL SECTION AT EXPOSED STRUCTURE & A.C.T. CEILING
SCALE: 1:10



13 ROSEWARNE AVE WINNIPEG, MB.
R2M 0V8
P 204 233-9159 F 237-4769
malvine@synergyinteriors.com

CLIENT CITY OF WINNIPEG, RENOVATIONS TO ENGINEERING & RECORDS STORAGE AREAS WATER & WASTE OFFICES
1199 PACIFIC AVE. C.C.

| | | |
|---------------|-----------------|-----------|
| DATE NOV 2009 | SCALE | REVISIONS |
| DRAWN BY M.G. | CHECKED BY M.G. | |

DWG
A-12