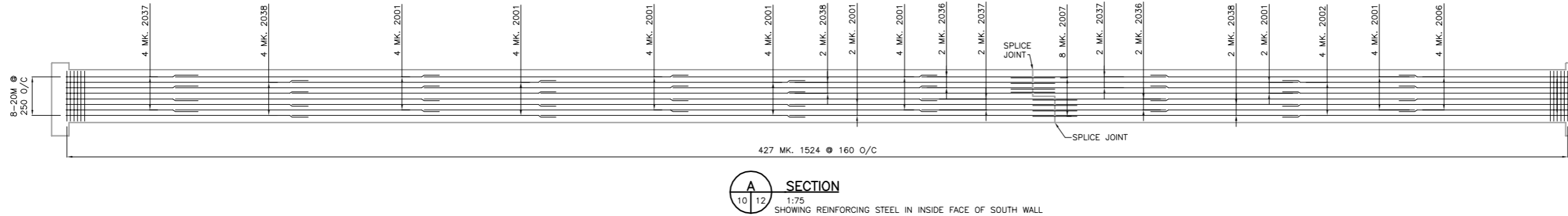
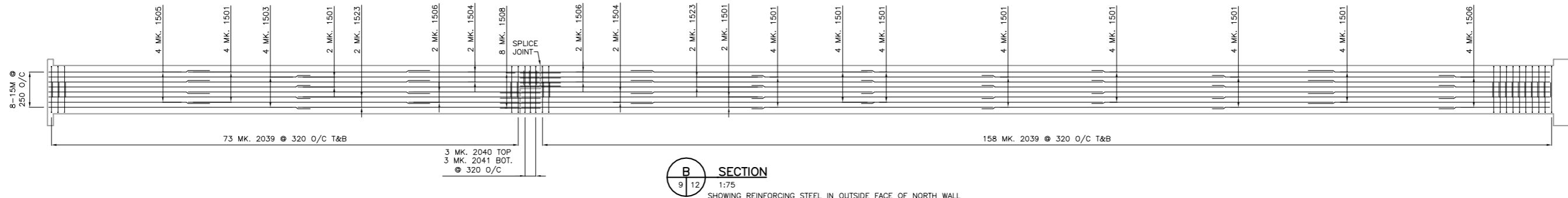


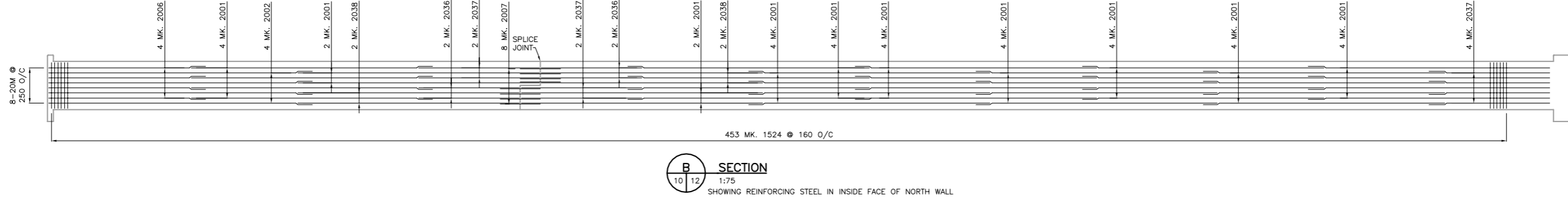
A SECTION
9 | 12
1:75
SHOWING REINFORCING STEEL IN OUTSIDE FACE OF SOUTH WALL



A SECTION
10 | 12
1:75
SHOWING REINFORCING STEEL IN INSIDE FACE OF SOUTH WALL



B SECTION
9 | 12
1:75
SHOWING REINFORCING STEEL IN OUTSIDE FACE OF NORTH WALL



B SECTION
10 | 12
1:75
SHOWING REINFORCING STEEL IN INSIDE FACE OF NORTH WALL

APEGM
Certificate of Authorization
Stantec Consulting Ltd.
No. 1301 Date: _____

LOCATION APPROVED UNDERGROUND STRUCTURES				B.M. ELEV.
SUPV. U/G STRUCTURES COMMITTEE	DATE			
NOTE: LOCATION OF UNDERGROUND STRUCTURES AS SHOWN ARE BASED ON THE BEST INFORMATION AVAILABLE BUT NO GUARANTEE IS GIVEN THAT ALL EXISTING UTILITIES ARE SHOWN OR THAT THE GIVEN LOCATIONS ARE EXACT. CONTRIBUTION OF EXISTENCE AND EXACT LOCATION OF ALL SERVICES MUST BE OBTAINED FROM THE INDIVIDUAL UTILITIES BEFORE PROCEEDING WITH CONSTRUCTION.				
NO.	REVISIONS	DATE	BY	
3	ISSUED FOR ADDENDUM No.1	10.01.13	J.M.B.	
2	ISSUED FOR TENDER	10.01.06	J.M.B.	
1	SUBMITTED FOR 90% REVIEW	09.12.11	M.L.T.	

Stantec Consulting Ltd. 905 Waverley Street, Winnipeg, Manitoba Tel 204-489-5900 Fax 204-453-9012		ENGINEER'S SEAL	
DESIGNED BY	M.L.T.	CHECKED BY	K.S.A.
DRAWN BY	J.M.B.	APPROVED BY	M.L.T.
HOR. SCALE: AS SHOWN		RELEASED FOR CONSTRUCTION:	
DATE	09.12.11	DATE	

CONSULTANT DRAWING NO.
S-106

THE CITY OF WINNIPEG
PUBLIC WORKS DEPARTMENT
ENGINEERING DIVISION

WINNIPEG

GUNN ROAD RECONSTRUCTION
CORDITE DITCH CULVERT REPLACEMENT
AT DAY STREET AND GUNN ROAD
REINFORCING DETAILS - SHEET 4 OF 6

SHEET 12 OF 15
CAD FILE DRAWING NUMBER 051705-101-726.dwg
CITY DRAWING NUMBER C365-10-12