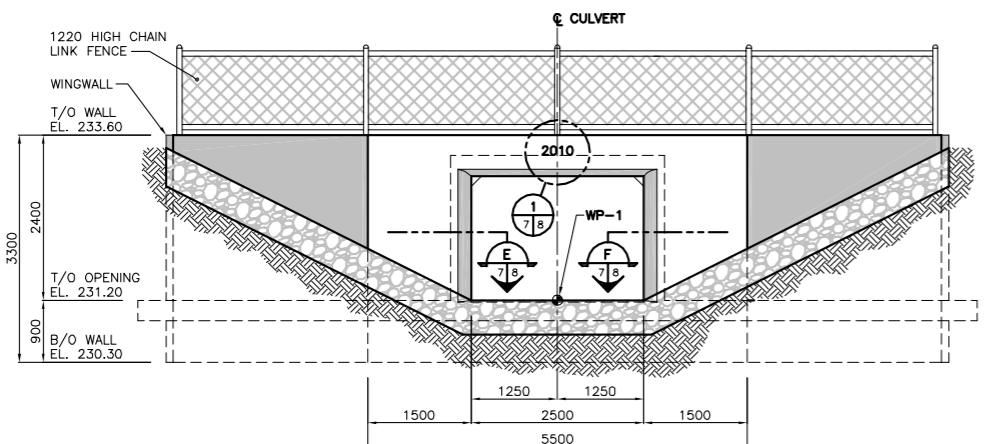
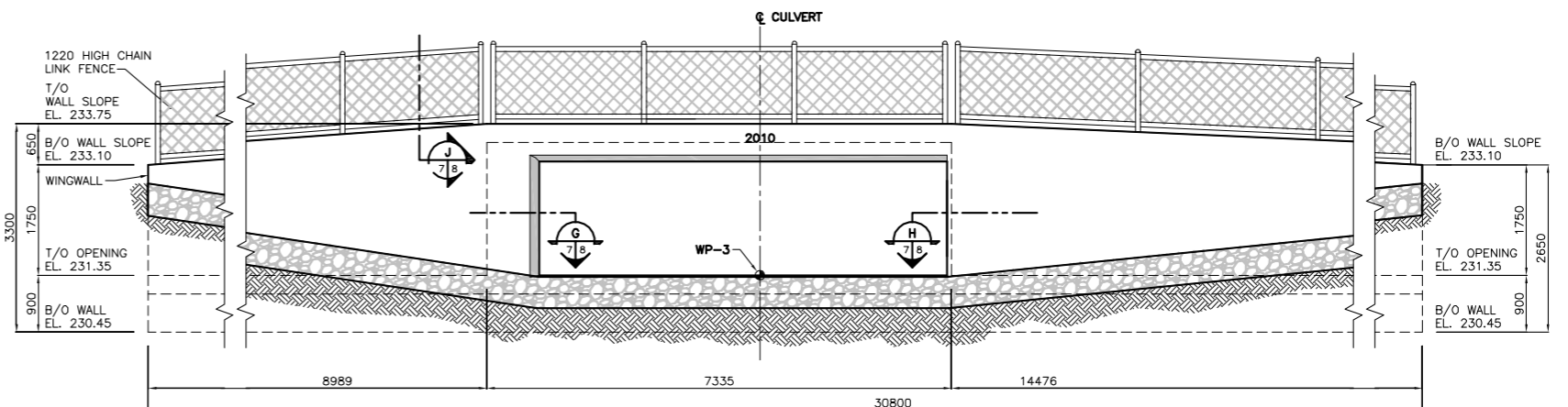


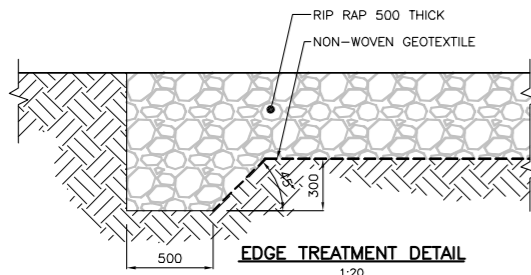
CULVERT PLAN VIEW



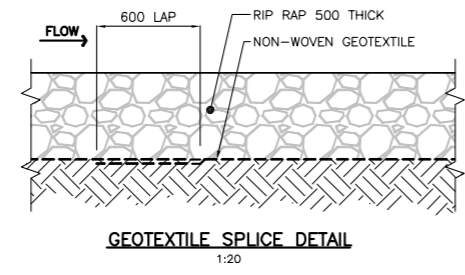
A VIEW



B VIEW



EDGE TREATMENT DETAIL



GEOTEXTILE SPLICE DETAIL

**APEGM**  
Certificate of Authorization  
Stantec Consulting Ltd.  
No. 1301 Date: \_\_\_\_\_

**LOCATION APPROVED UNDERGROUND STRUCTURES**  
SUPV. U/G STRUCTURES COMMITTEE DATE \_\_\_\_\_  
NOTE: LOCATION OF UNDERGROUND STRUCTURES AS SHOWN ARE BASED ON THE BEST INFORMATION AVAILABLE BUT NO GUARANTEE IS GIVEN THAT ALL EXISTING UTILITIES ARE SHOWN OR THAT THE GIVEN LOCATIONS ARE EXACT. CONTRIBUTION OF EXISTENCE AND EXACT LOCATION OF ALL SERVICES MUST BE OBTAINED FROM THE INDIVIDUAL UTILITIES BEFORE PROCEEDING WITH CONSTRUCTION.

NO.	REVISIONS	DATE	BY
2	ISSUED FOR TENDER	10.01.06	J.M.B.
1	SUBMITTED FOR 90% REVIEW	09.12.11	M.L.T.

**Stantec Consulting Ltd.**  
905 Waverley Street, Winnipeg, Manitoba  
Tel 204-489-5900 Fax 204-453-9012

DESIGNED BY: M.L.T. CHECKED BY: K.S.A.  
DRAWN BY: J.M.B. / J.M.M. APPROVED BY: M.L.T.  
SCALE: 1:50  
RELEASED FOR CONSTRUCTION: \_\_\_\_\_  
DATE: 09.12.11

ENGINEER'S SEAL  
CONSULTANT DRAWING NO. S-101

**THE CITY OF WINNIPEG**  
PUBLIC WORKS DEPARTMENT  
ENGINEERING DIVISION

**Winnipeg**

**GUNN ROAD RECONSTRUCTION**  
CORDITE DITCH CULVERT REPLACEMENT  
AT DAY STREET AND GUNN ROAD  
CONCRETE PLAN & ELEVATIONS

SHEET 7 OF 16  
CAD FILE DRAWING NUMBER 051705-101-726.dwg  
CITY DRAWING NUMBER C365-10-07

V:\137\action\137000\137000.dwg (drawing) A02\_design\user\luc\luc.dwg 2010-01-07 10:00:00 By: lreemans