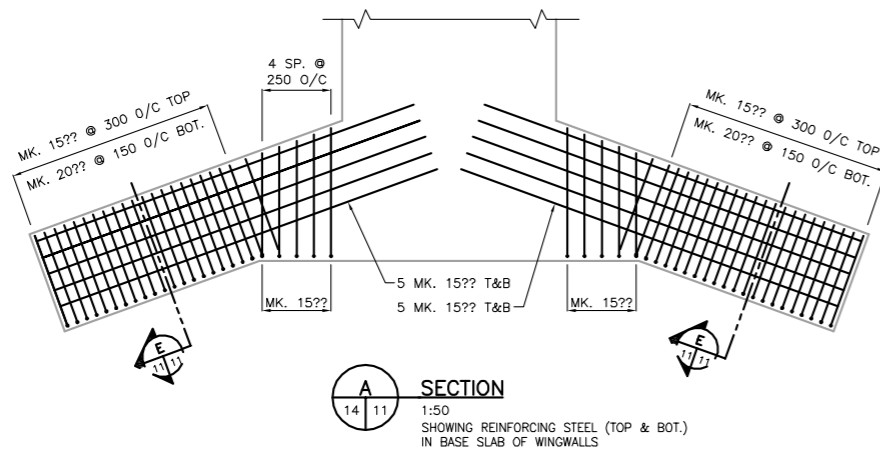


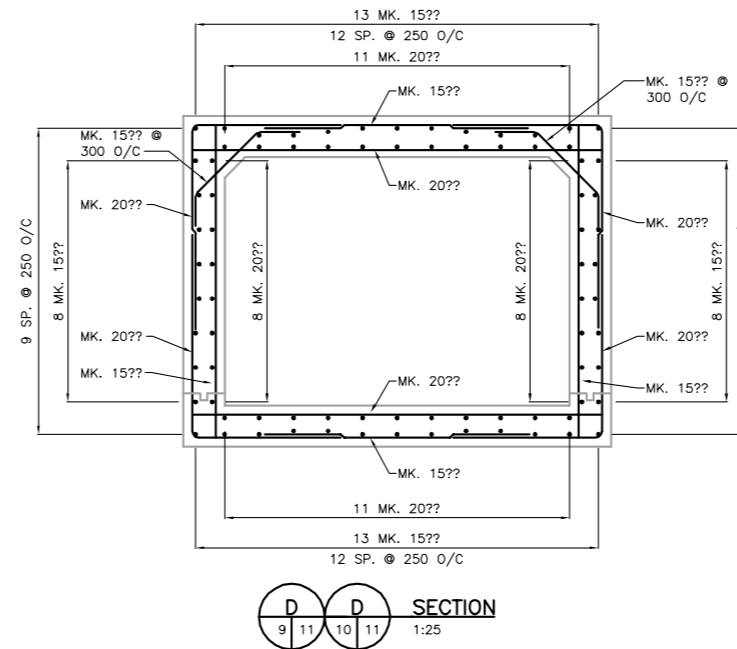
PLAN OF EAST HEADWALL

1:50
TYP. REINFORCING LAYOUT (TOP & BOT.) IN BASE SLAB OF WINGWALLS



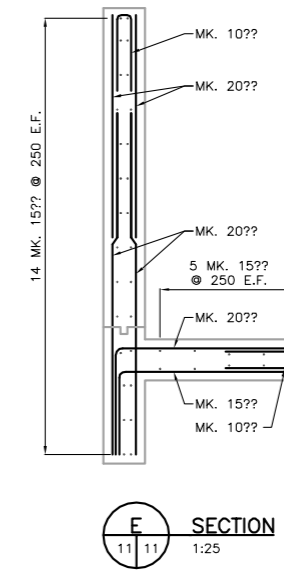
SECTION A

1:50
SHOWING REINFORCING STEEL (TOP & BOT.)
IN BASE SLAB OF WINGWALLS



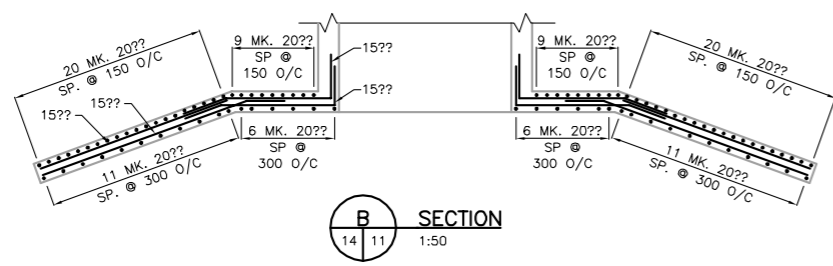
SECTION D

1:25



SECTION F

1:25



SECTION B

1:50

LOCATION APPROVED UNDERGROUND STRUCTURES

SUPV. U/G STRUCTURES COMMITTEE DATE

NOTE:
LOCATION OF UNDERGROUND STRUCTURES AS SHOWN ARE BASED ON THE BEST INFORMATION AVAILABLE BUT NO GUARANTEE IS GIVEN THAT ALL EXISTING UTILITIES ARE SHOWN OR THAT THE GIVEN LOCATIONS ARE EXACT. CONFIRMATION OF EXISTENCE AND EXACT LOCATION OF ALL SERVICES MUST BE OBTAINED FROM THE INDIVIDUAL UTILITIES BEFORE PROCEEDING WITH CONSTRUCTION.

B.M. ELEV.	NO.	REVISIONS	DATE	BY
	2	ISSUED FOR TENDER	10.01.06	J.M.B.
	1	SUBMITTED FOR 90% REVIEW	09.12.11	M.L.T.

Stantec Consulting Ltd.
905 Waverley Street, Winnipeg, Manitoba
Tel 204-489-5900 Fax 204-453-9012

DESIGNED BY: M.L.T.	CHECKED BY: K.S.A.
DRAWN BY: J.M.M.	APPROVED BY: M.L.T.

HOR. SCALE: AS SHOWN
VERTICAL: AS SHOWN

DATE: 09.12.11

ENGINEER'S SEAL

CONSULTANT DRAWING NO. S-105

THE CITY OF WINNIPEG
PUBLIC WORKS DEPARTMENT
ENGINEERING DIVISION

GUNN ROAD RECONSTRUCTION
CORDITE DITCH CULVERT REPLACEMENT
AT DAY STREET AND GUNN ROAD
REINFORCING DETAILS - SHEET 3 OF 6

SHEET 11 OF 15
CAD FILE DRAWING NUMBER 051705-101-726.dwg
CITY DRAWING NUMBER C365-10-II



V:\137\p\13700170 (winnipeg)\02_design\winnipeg\head\winnipeg\1051705-101-726.dwg
 2010-01-07 10:02AM By: jmm