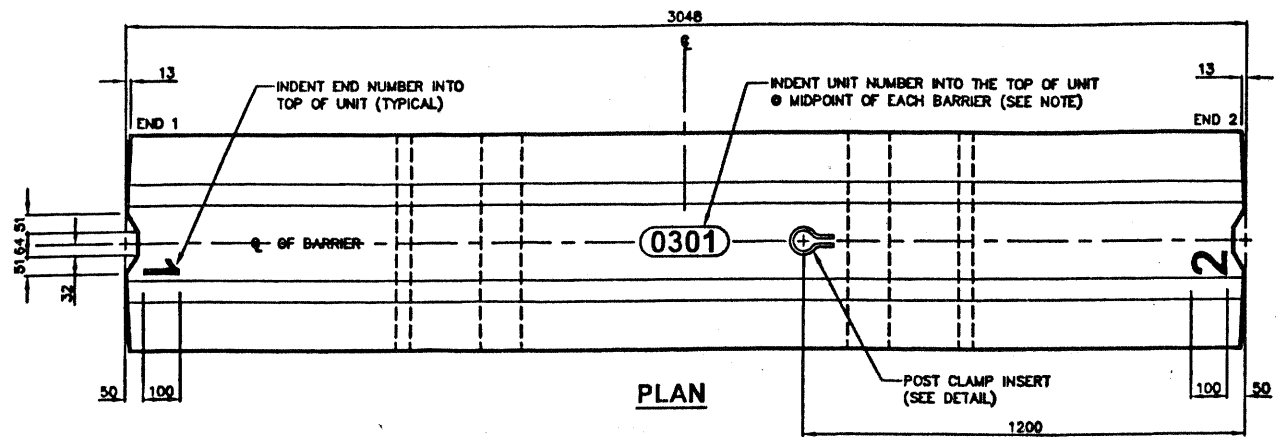
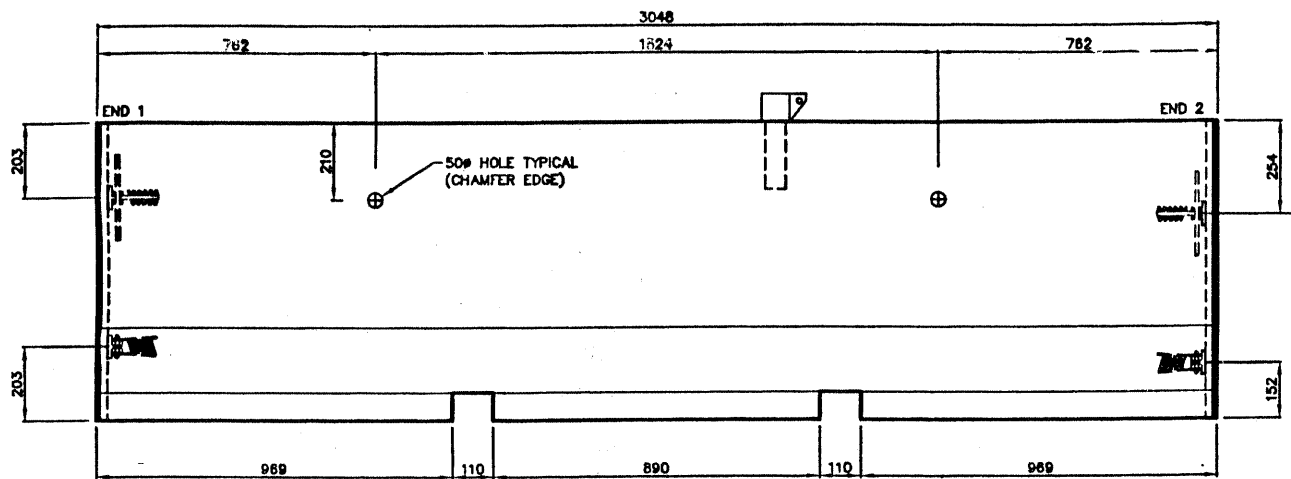


APPENDIX 'C'

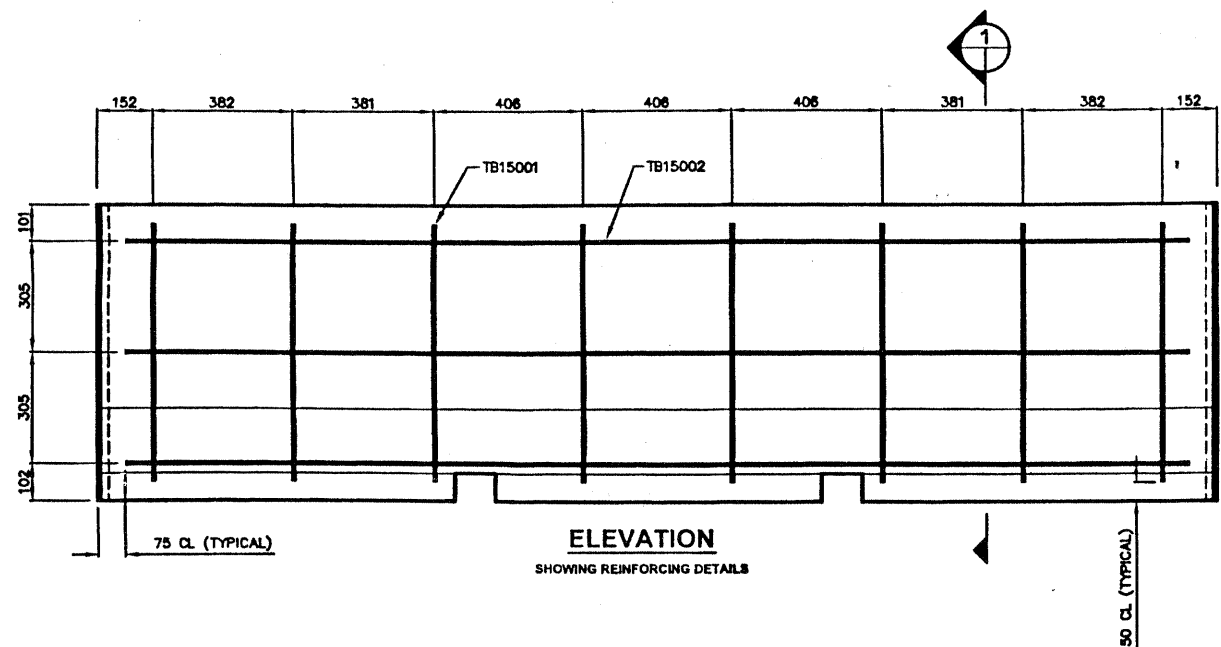
PRECAST TRAFFIC BARRIER DRAWING CW-315



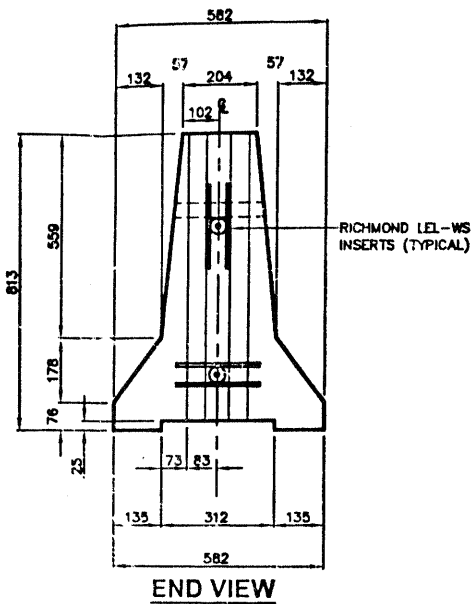
PLAN



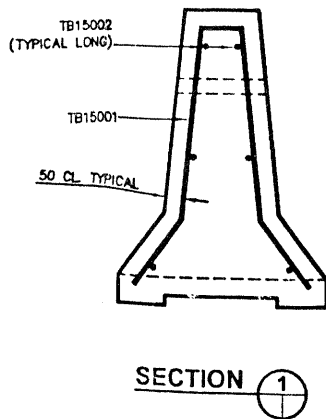
ELEVATION
SHOWING CONC. DETAILS



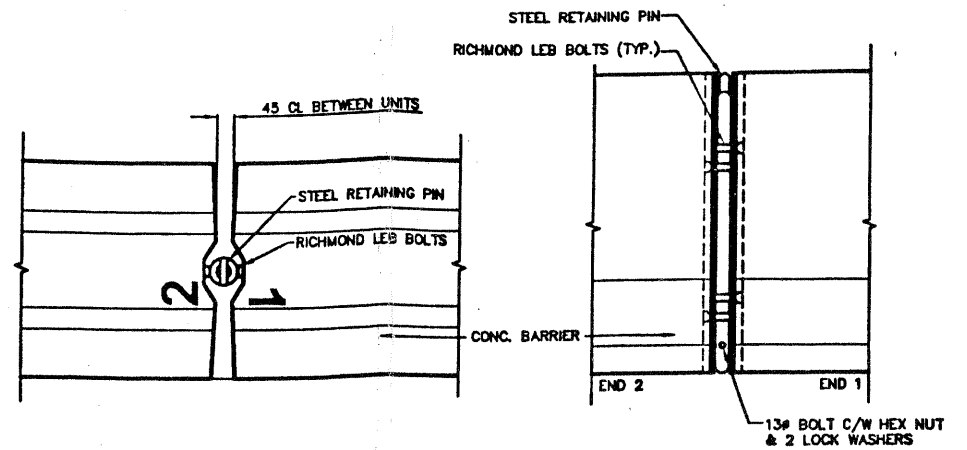
ELEVATION
SHOWING REINFORCING DETAILS



END VIEW

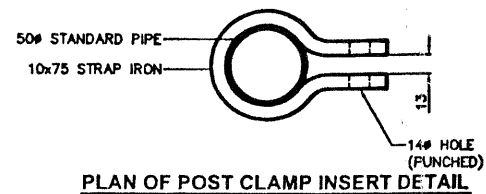


SECTION 1

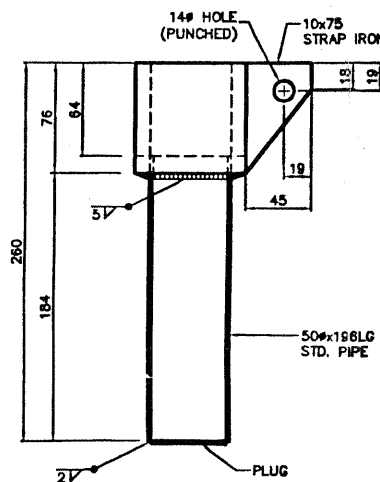


INSTALLATION OF BARRIERS DETAIL

NOTE: CONNECT END 1 TO END 2 USING RETAINING PIN & 13# BOLT



PLAN OF POST CLAMP INSERT DETAIL



ELEVATION OF POST CLAMP INSERT

POST CLAMP INSERT DETAIL

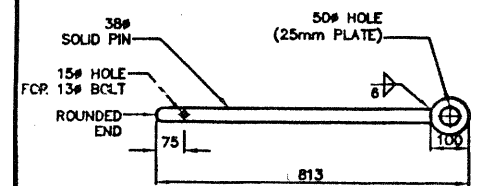
SCALE 1:25
NOTE: FOR BARRIER CAST UPSIDE DOWN POST INSERTS MAY BE GROUTED INTO 700 FORMED HOLE.

METRIC

WHOLE NUMBERS INDICATE MILLIMETRES
DECIMALIZED NUMBERS INDICATE METRES

BILL OF REINFORCING STEEL FOR ONE CONC. BARRIER UNIT				
MARK	TYPE	LENGTH	NO. PER UNIT	BENDING DIAGRAM
TB15001	BENT	1600	8	
TB15002	STRAIGHT	2895	6	
ALL REINFORCING STEEL GRADE 400 MPa				
VOLUME OF CONC. PER UNIT = 0.79 m ³				
MASS OF EACH UNIT = 1890kg				

BILL OF MISCELLANEOUS METAL FOR ONE CONC. BARRIER UNIT	
NO.	DESCRIPTION
4	RICHMOND LEL-WS END LIFT INSERT FOR 25# LEB
4	RICHMOND LEB EYE BOLT 25#x75 LONG
1	38#x813 STEEL RETAINING PIN (SEE DETAIL)
1	13#x75 LG BOLT C/W HEX NUT & 2 LOCK WASHERS
2	25#x25 LG SOCKET HEAD SCREWS
1	POST CLAMP INSERT (SEE DETAIL)



STEEL RETAINING PIN DETAIL

NOTE: ALL MATERIAL IN THIS BILL TO BE COMPLETELY GALVANIZED AFTER FABRICATION

- GENERAL NOTES:**
- CONCRETE SPECIFIED COMPRESSIVE STRENGTH @ 28 DAYS = 40MPa
MAX. W/C RATIO = 0.4
AGGREGATE = 20mm NOMINAL
AIR CONTENT = 5 TO 8%
 - STEEL FORM FINISH UNLESS OTHERWISE APPROVED.
MINIMUM CHAMFER ON ALL EDGES 13mm.
 - REBAR TO BE GRADE 400 MPa.
 - UNITS ARE DESIGNED TO BE INSTALLED BY HAVING AN END "1" CONNECTED TO AN END "2".
 - UNIT NO.'S TO START WITH 2 DIGIT YEAR DESIGNATION FOLLOWED BY 2 DIGIT PRODUCTION NO. (PRODUCTION UNIT NO. SHOWN IS FOR ILLUSTRATIVE PURPOSE ONLY).

NO.	REVISIONS	DATE	BY	DATE

DESIGNED BY	CHECKED BY
DRAWN BY AP 03-09-11	APPROVED BY
HOR. SCALE: 1:10	RELEASED FOR CONSTRUCTION
VERTICAL OR AS NOTED	DATE

CONSULTANT DRAWING NO.

THE CITY OF WINNIPEG
PUBLIC WORKS DEPARTMENT
TRANSPORTATION DIVISION

PRECAST CONCRETE
PORTABLE TRAFFIC BARRIER

SHEET OF
CAD FILE DRAWING NUMBER
CITY DRAWING NUMBER
CW-315