

- CONSTRUCTION NOTES**
1. EXPOSE EXISTING WATERMAIN & CONFIRM INVERTS PRIOR TO CONSTRUCTION.
  2. CONFIRM LOCATION OF ALL SERVICES IN THE FIELD.
  3. INSTALL WATERMAIN BY TRENCHLESS METHODS.
  4. TRENCHES AND EXCAVATIONS WITHIN 1 METRE OF A PAVED AREA INCLUDING SIDEWALKS SHALL BE CLASS 3 BACKFILL.
  5. ALL MATERIALS SHALL CONFORM TO THE CITY OF WINNIPEG STANDARD CONSTRUCTION SPECIFICATIONS.
  6. MINIMUM COVER TO TOP OF WATERMAIN SHALL BE 2.4 m.
  7. REPLACE ALL EXISTING LEAD SERVICES FROM PROPOSED WATERMAIN TO E.
  8. NOTIFY ALL AFFECTED RESIDENTS AND BUSINESSES 24 HOURS IN ADVANCE OF ANY WATER SHUTDOWNS OR DISRUPTION OF SERVICE.

**CAUTION: AQUEDUCT**

DO NOT OPERATE HEAVY OR VIBRATORY EQUIPMENT OVER OR WITHIN 3 METERS OF CENTRE LINE OF AQUEDUCT

A MINIMUM CLEARANCE OF 1 METRE SHALL BE PROVIDED BETWEEN THE UNDERSIDE OF THE EXISTING AQUEDUCT PIPE AND THE TOP OF THE PROPOSED WORKS.

A MINIMUM CLEARANCE OF 0.5 METRES SHALL BE PROVIDED BETWEEN THE UNDERSIDE OF THE PROPOSED WORKS AND THE TOP OF THE EXISTING AQUEDUCT PIPE.

INSTALLATION TO BE DONE BY TRENCHLESS METHODS ONLY FOR PROPOSED WORKS CROSSING UNDER THE EXISTING AQUEDUCT PIPE.

EXPOSE AQUEDUCT BY HYDRO VACUUM OR OTHER SOFT DIG METHODS TO CONFIRM DEPTH AND ALIGNMENT OF PIPE.

\* IMPORTANT  
CONTACT THE WATER AND WASTE DEPT. CONSTRUCTION SERVICES COORDINATOR AT 986-3823  
A MINIMUM OF SEVEN DAYS PRIOR TO CROSSING OR WORKING ADJACENT TO FEEDERMAINS TO ARRANGE FOR INSPECTION.

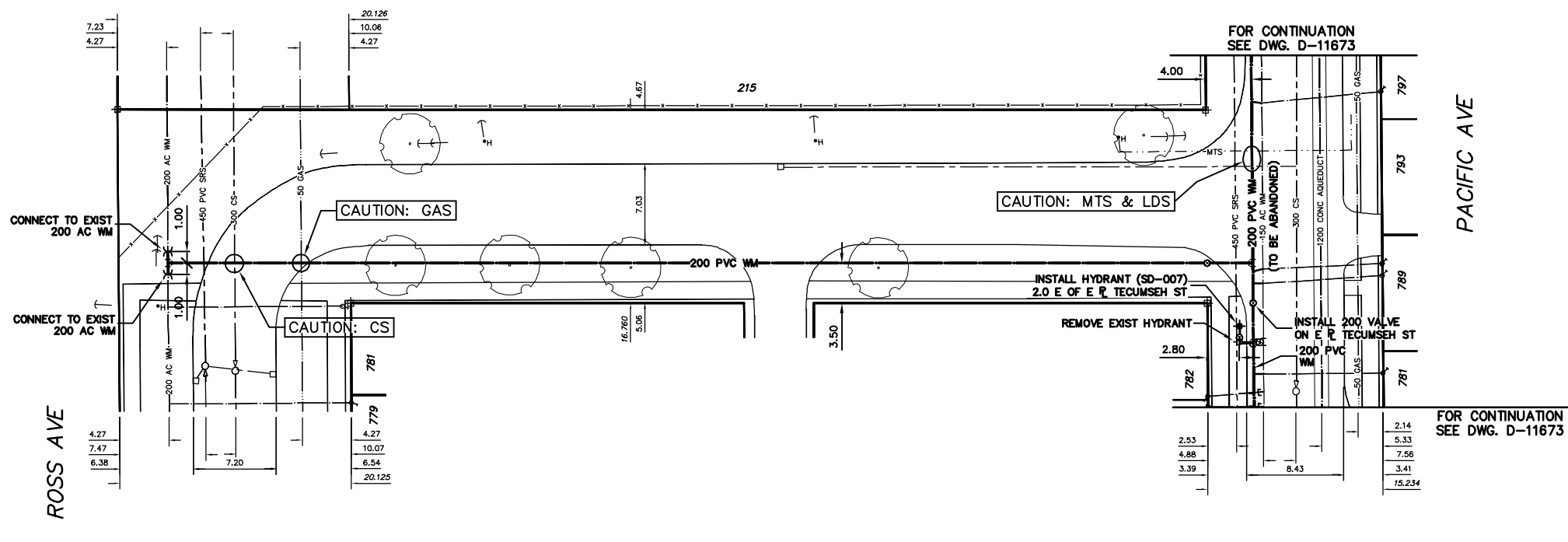
NOTE: CHAINAGES SHOWN ARE ALONG E R OF TECUMSEH ST

**WATER SERVICE INFORMATION**

| ADDRESS         | SIZE(mm) & TYPE (STREET) | SIZE(mm) & TYPE (PROP) | SHORT & LONG MEASUREMENT | CORP. LOCATION | REMARKS                  |
|-----------------|--------------------------|------------------------|--------------------------|----------------|--------------------------|
| 215 TECUMSEH ST | -                        | -                      | -                        | -              | NO INFORMATION AVAILABLE |
| 781 PACIFIC AVE | 20                       | 12                     | 1.24 EWL HSE             | 0.1 W OF S/C   | RECONNECT SERVICE        |
| 782 PACIFIC AVE | 20                       | 12                     | 6.15 EEL TECUMSEH        | 0.4 W OF S/C   | RECONNECT SERVICE        |
| 782 PACIFIC AVE | 20                       | 12                     | 1.06 EEL HSE             | 0.4 W OF S/C   | RECONNECT SERVICE        |
| 789 PACIFIC AVE | 20                       | 12                     | 8.05 EEL TECUMSEH        | 0.7 E OF S/C   | RECONNECT SERVICE        |
| 789 PACIFIC AVE | 20                       | 12                     | 1.22 EWL HSE             | 0.7 E OF S/C   | RECONNECT SERVICE        |
| 793 PACIFIC AVE | 20                       | 12                     | 2.28 WEL TECUMSEH        | 0.5 E OF S/C   | RECONNECT SERVICE        |
| 793 PACIFIC AVE | 20                       | 12                     | 4.06 EEL HSE             | 0.5 E OF S/C   | RECONNECT SERVICE        |
| 797 PACIFIC AVE | 20                       | 12                     | 3.33 WEL TECUMSEH        | 1.0 E OF S/C   | RECONNECT SERVICE        |
| 797 PACIFIC AVE | 20                       | 12                     | 1.48 WEL HSE             | 1.0 E OF S/C   | RECONNECT SERVICE        |
| 779 ROSS AVE    | 20                       | 20                     | 1.49 WEL TECUMSEH        | OPP S/C        | -                        |
| 779 ROSS AVE    | 20                       | 20                     | 0.35 EWL HSE             | OPP S/C        | -                        |
| 781 ROSS AVE    | 12                       | 12                     | 8.63 EEL TECUMSEH        | OPP S/C        | -                        |
| 781 ROSS AVE    | 12                       | 12                     | 0.31 WEL HSE             | OPP S/C        | -                        |
| 781 ROSS AVE    | 12                       | 12                     | 0.31 EEL TECUMSEH        | OPP S/C        | -                        |

\* SERVICES TO BE RENEWED TO R UPON CONFIRMATION BY THE CONTRACTOR OF EXISTING 1/2" COPPER OR LEAD SERVICE. OBTAIN APPROVAL FROM CONTRACT ADMINISTRATOR PRIOR TO RENEWAL.

**TECUMSEH STREET**



**METRIC**  
WHOLE NUMBERS INDICATE MILLIMETRES  
DECIMALIZED NUMBERS INDICATE METRES

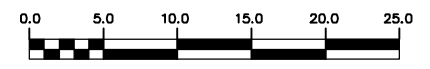
NOTE: ALL VALVES TO BE INSTALLED COUNTERCLOCKWISE TO CLOSE

**WARNING**

IF POWER EQUIPMENT OR EXPLOSIVES ARE TO BE USED FOR EXCAVATION ON THIS PROJECT THE CONTRACTOR MUST:

- 1) NOTIFY THE GAS COMPANY OF THE PROPOSED LOCATION OF EXCAVATION.
- 2) TAKE PRECAUTION TO AVOID DAMAGE TO GAS COMPANY INSTALLATIONS.

SEE PROVINCIAL REGULATION 210/72 FOR DETAILS



| 200 WM   | WATERMAIN           | 200 WM   | SL, HYDRO         | 50 GAS         | WATERMAIN | 150 WM                  |
|----------|---------------------|----------|-------------------|----------------|-----------|-------------------------|
| +        | HYDRANT             | +        | MTS               | 50 GAS         | +         | HYDRANT                 |
| ⊙        | VALVE               | ⊙        | TRAFFIC SIGNALS   | 50 GAS         | +         | VALVE                   |
| 525 LDS  | LAND DRAINAGE SEWER | 525 LDS  | GAS               | 300 LDS        | +         | LAND DRAINAGE SEWER     |
| 375 WWS  | WASTEWATER SEWER    | 375 WWS  | SURVEY BAR        | 250 WWS        | +         | WASTEWATER SEWER        |
| ○        | MANHOLE             | ○        | FENCE             | ⊕              | +         | PROFILE                 |
| □        | CATCH BASIN         | □        | POLE - HYDRO, MTS | ⊕              | +         | GROUND ABOVE PIPE       |
| ▽        | CURB INLET          | ▽        | CURB STOP         | ⊕              | +         | ⊕ DITCH (NORTH & WEST)  |
| ◁        | REDUCER             | ◁        | GUY ANCHOR        | ⊕              | +         | ⊕ DITCH (SOUTH & EAST)  |
| X        | COUPLER             | X        | LIGHT STANDARD    | ⊕              | +         | ⊕ GUTTER (NORTH & EAST) |
| ⊕        | ANODE               | ⊕        | TREE              | ⊕              | +         | ⊕ GUTTER (SOUTH & EAST) |
| EXISTING | LEGEND-PLAN         | PROPOSED | EXISTING          | LEGEND-PLAN    | PROPOSED  | EXISTING                |
| EXISTING | LEGEND-PROFILE      | PROPOSED | EXISTING          | LEGEND-PROFILE | PROPOSED  | EXISTING                |

LOCATION APPROVED UNDERGROUND STRUCTURES

SUPV. U/G STRUCTURES COMMITTEE DATE

NOTE:  
LOCATION OF UNDERGROUND STRUCTURES AS SHOWN ARE BASED ON THE BEST INFORMATION AVAILABLE BUT NO GUARANTEE IS GIVEN THAT ALL EXISTING UTILITIES ARE SHOWN OR THAT THE GIVEN LOCATIONS ARE EXACT. CONFIRMATION OF EXISTENCE AND EXACT LOCATION OF ALL SERVICES MUST BE OBTAINED FROM THE INDIVIDUAL UTILITIES BEFORE PROCEEDING WITH CONSTRUCTION.

| NO. | REVISIONS | DATE | BY |
|-----|-----------|------|----|
|     |           |      |    |

**CITY OF WINNIPEG**  
**WATER AND WASTE**  
**ENGINEERING DIVISION**

DESIGNED BY: SC  
CHECKED BY: SC

DRAWN BY: C/JH  
APPROVED BY: KZ

HOR. SCALE: 1:250  
VERTICAL: 1:50

RELEASED FOR CONSTRUCTION

DATE: 2009 02 12

ENGINEER'S SEAL

ORIGINAL SIGNED BY  
**S.R.J. COUNOYER**  
09/02/12

BID OPPORTUNITY 94-2009  
FILENAME: D-11674.dwg  
PLOT DATE: 2009 02 12

**THE CITY OF WINNIPEG**  
**WATER AND WASTE DEPARTMENT**

2009 WATERMAIN RENEWALS  
CONTRACT 2  
**TECUMSEH STREET**  
PACIFIC AVENUE TO  
ROSS AVENUE

SHEET 10 OF 10  
CITY DRAWING NUMBER  
**D-11674**