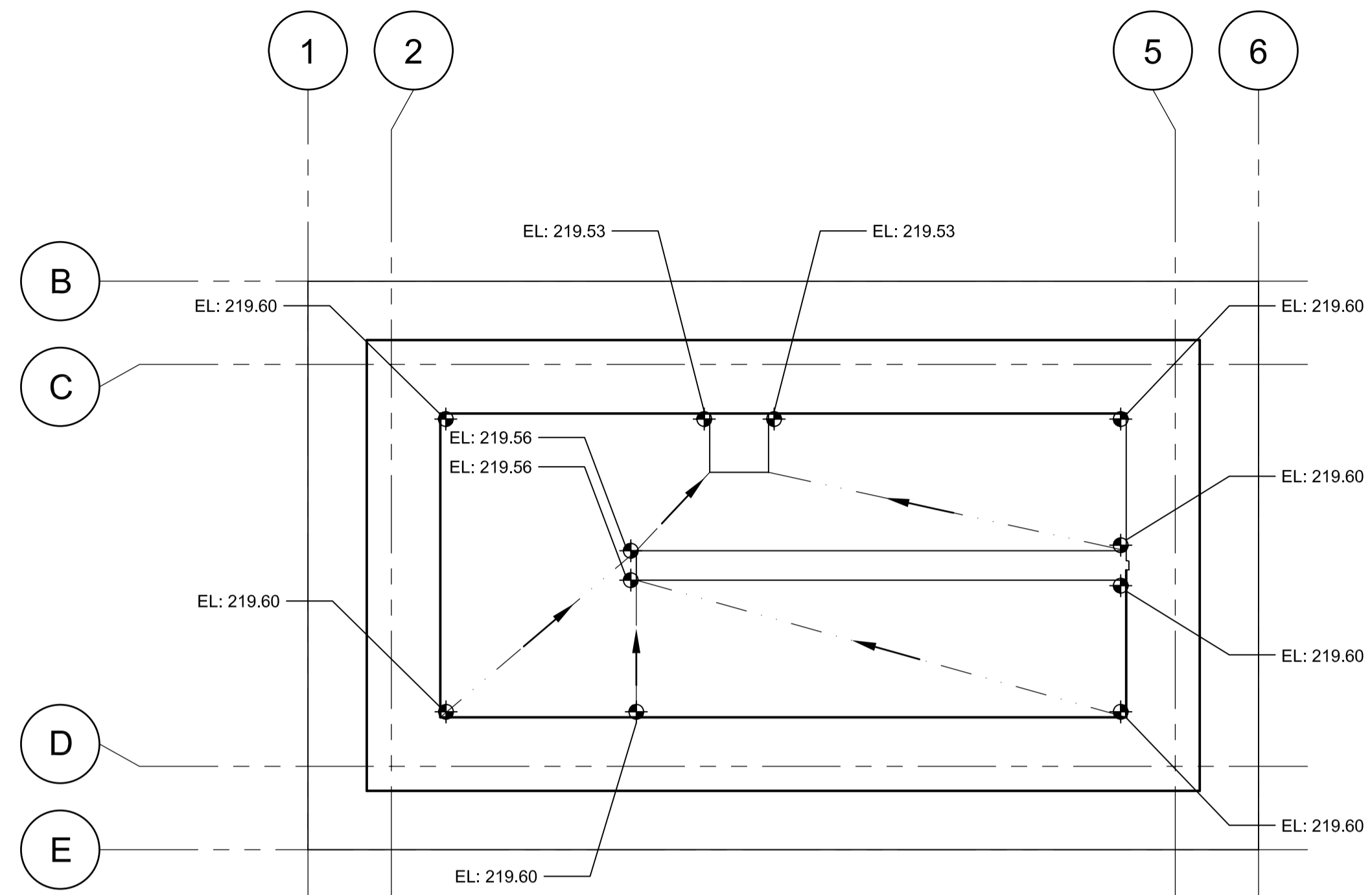
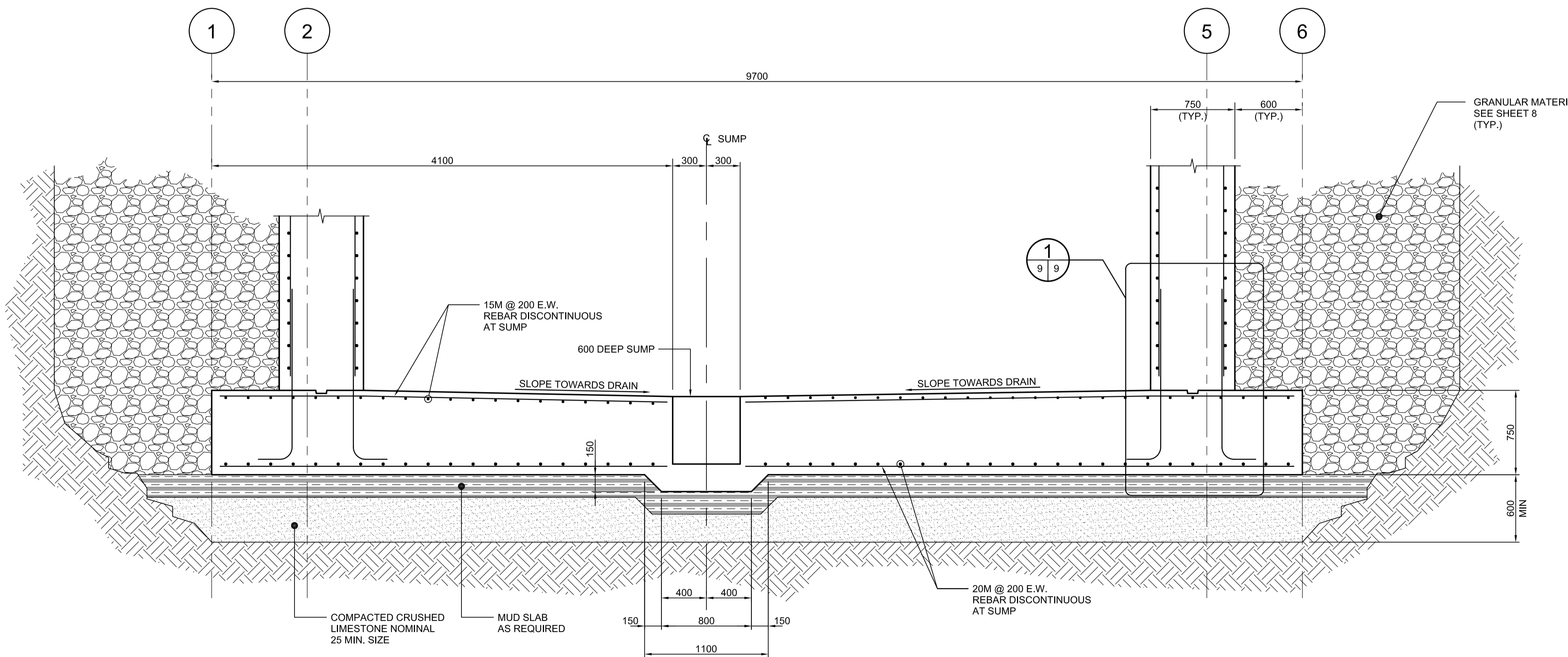


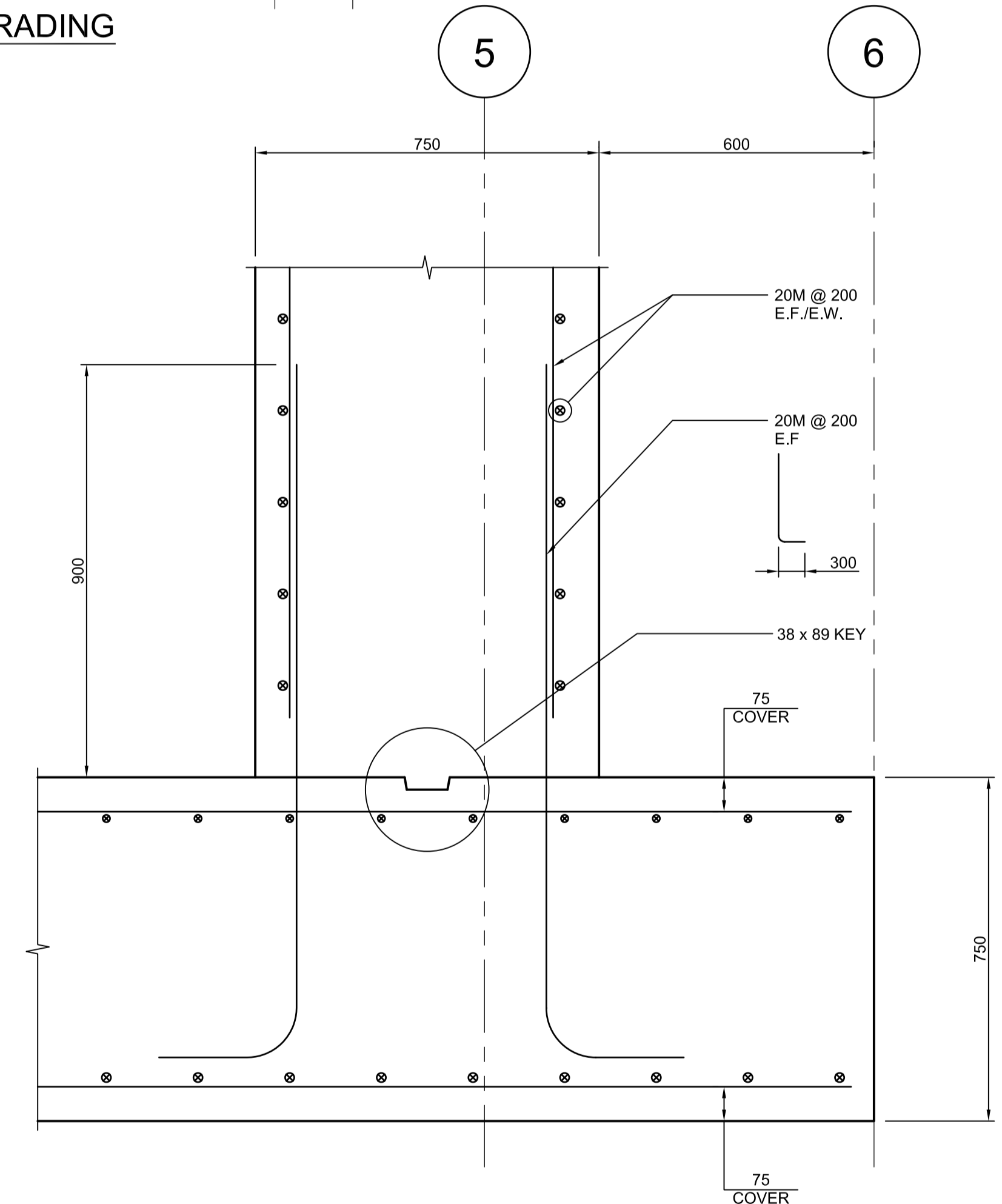
FOUNDATION PLAN
SCALE 1:50



FLOOR SLAB GRADING
SCALE 1:50



SECTION
SCALE 1:25



DETAIL
SCALE 1:10

APEGM
Certificate of Authorization
Dillon Consulting Limited (MB)
No. 1789 Date: 25/03/09

LOCATION UNDERGROUND STRUCTURES	APPROVED STRUCTURES	B.M. ELEV.	DESIGNED BY	KGW
ORIGINAL SIGNED BY DERRICK SAEDEL	25/03/09		DRAWN BY	RCB
SUPV. U/G STRUCTURES COMMITTEE	DATE		CHECKED BY	ORIGINAL SIGNED BY JAMES SKEET
			APPROVED BY	ORIGINAL SIGNED BY NORM ULYATT
			HOR. SCALE	AS SHOWN
			VERTICAL	AS SHOWN
			RELEASER FOR CONSTRUCTION	ORIGINAL SIGNED BY RANDY FINGAS
			DATE	25/03/09
			CONSULTANT PROJECT NO.	088813
			NO. REVISIONS	DATE BY
			0	ISSUED FOR TENDER 25/03/09 RCB
				DATE 01-01-09

NOTE:	
LOCATION OF UNDERGROUND STRUCTURES AS SHOWN ARE BASED ON THE BEST INFORMATION AVAILABLE. BUT NO GUARANTEE IS GIVEN THAT ALL EXISTING UTILITIES ARE SHOWN OR THAT THE GIVEN LOCATIONS ARE EXACT. CONFIRMATION OF EXISTENCE AND EXACT LOCATION OF ALL SERVICES MUST BE OBTAINED FROM THE INDIVIDUAL UTILITIES BEFORE PROCEEDING WITH CONSTRUCTION.	

DILLON CONSULTING

PROVINCE OF MANITOBA
REGISTERED PROFESSIONAL ENGINEER
J.A. SKEET
Member 25025

RELEASED FOR CONSTRUCTION
ORIGINAL SIGNED BY RANDY FINGAS
DATE 25/03/09

THE CITY OF WINNIPEG
TRANSIT DEPARTMENT

Winnipeg

SOUTHWEST RAPID TRANSIT CORRIDOR - STAGE 1
LAND DRAINAGE PUMPING STATION & ASSOCIATED WORKS

CITY DRAWING NUMBER
LD-5308

SHEET 9 OF 25

FOUNDATION DETAILS

C2-B2102-T