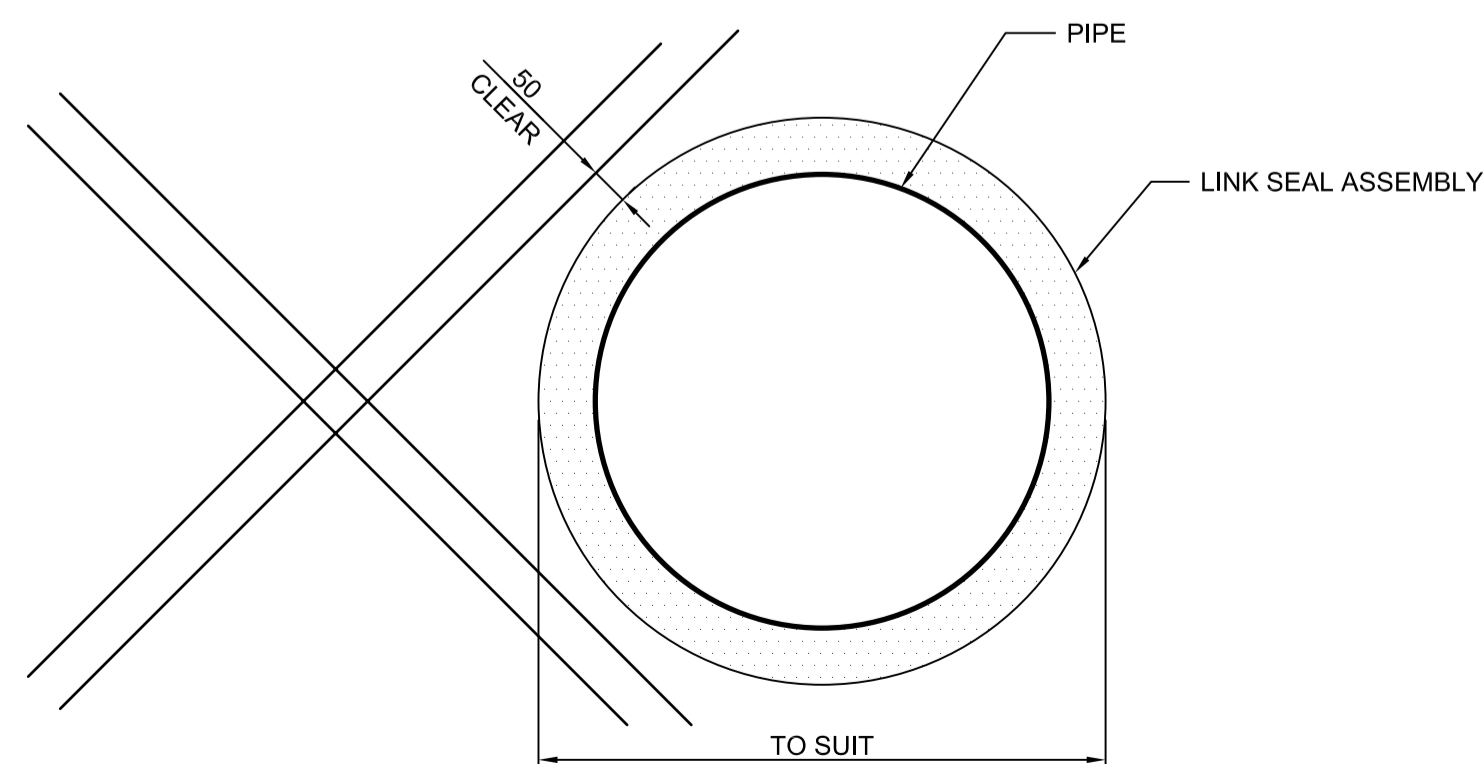


ELEVATION ON GRID 2/3
SCALE 1:50

ELEVATION ON GRID A/C
SCALE 1:50

ELEVATION ON GRID D
SCALE 1:50

ELEVATION ON GRID 4/5
SCALE 1:50



PIPE OPENING DETAIL
SCALE 1:10



LOCATION APPROVED UNDERGROUND STRUCTURES	B.M. ELEV.	DESIGNED BY KGW
ORIGINAL SIGNED BY DERRICK SAEDEL 25/03/09		DRAWN BY RCB
SUPV. U/G STRUCTURES COMMITTEE DATE		CHECKED BY ORIGINAL SIGNED BY JAMES SKEET
		APPROVED BY ORIGINAL SIGNED BY NORM ULYATT
		HOR. SCALE AS SHOWN
		VERTICAL AS SHOWN
0 ISSUED FOR TENDER 25/03/09 RCB		RELEASED FOR CONSTRUCTION ORIGINAL SIGNED BY RANDY FINGAS
NO. REVISIONS DATE BY		DATE 25/03/09
		CONSULTANT PROJECT NO. 088813

DESIGNED BY KGW	ENGINEER'S SEAL
DRAWN BY RCB	PROVINCE OF MANITOBA REGISTERED PROFESSIONAL ENGINEER
CHECKED BY ORIGINAL SIGNED BY JAMES SKEET	J.A. SKEET Member 25025
APPROVED BY ORIGINAL SIGNED BY NORM ULYATT	
HOR. SCALE AS SHOWN	
VERTICAL AS SHOWN	
0 ISSUED FOR TENDER 25/03/09 RCB	
NO. REVISIONS DATE BY	

DILLON CONSULTING

RELEASED FOR CONSTRUCTION ORIGINAL SIGNED BY RANDY FINGAS

DATE 25/03/09

ENGINEER'S SEAL

PROVINCE OF MANITOBA REGISTERED PROFESSIONAL ENGINEER

J.A. SKEET Member 25025

CONSULTANT PROJECT NO. 088813

THE CITY OF WINNIPEG TRANSIT DEPARTMENT

Winnipeg

SOUTHWEST RAPID TRANSIT CORRIDOR - STAGE 1 LAND DRAINAGE PUMPING STATION & ASSOCIATED WORKS

WALL LAYOUT

CITY DRAWING NUMBER LD-5309

SHEET 10 OF 25

C2-B2103-T