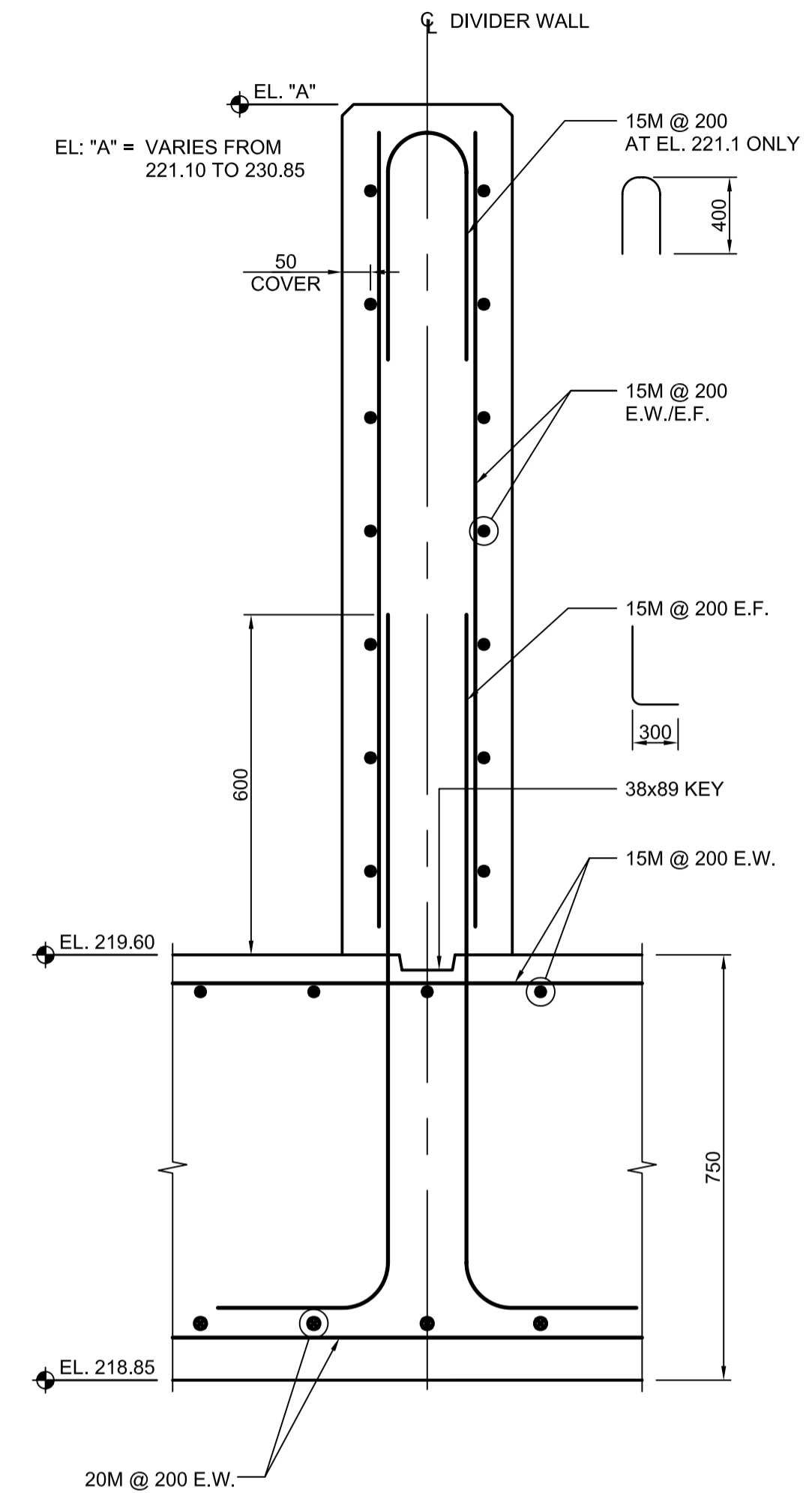


SECTION G
SCALE 1:10



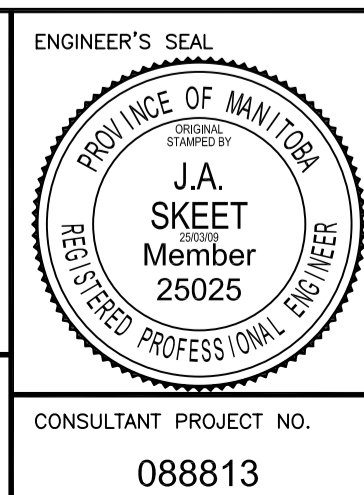
SECTION H
SCALE 1:10



LOCATION APPROVED UNDERGROUND STRUCTURES	B.M. ELEV.
ORIGINAL SIGNED BY DERRICK SAEDEL 25/03/09	
SUPV. U/G STRUCTURES COMMITTEE DATE	
NOTE: LOCATION OF UNDERGROUND STRUCTURES AS SHOWN ARE BASED ON THE BEST INFORMATION AVAILABLE BUT NO GUARANTEE IS GIVEN THAT ALL EXISTING UTILITIES ARE SHOWN OR THAT THE GIVEN LOCATIONS ARE EXACT. CONFIRMATION OF EXISTENCE AND EXACT LOCATION OF ALL SERVICES MUST BE OBTAINED FROM THE INDIVIDUAL UTILITIES BEFORE PROCEEDING WITH CONSTRUCTION.	
0 ISSUED FOR TENDER 25/03/09 RCB	
NO. REVISIONS	DATE BY

DESIGNED BY KGW	
DRAWN BY RCB	
CHECKED BY ORIGINAL SIGNED BY JAMES SKEET	
APPROVED BY ORIGINAL SIGNED BY NORM ULYATT	
HOR. SCALE AS SHOWN	
VERTICAL AS SHOWN	
01-01-09	

RELEASED FOR CONSTRUCTION ORIGINAL SIGNED BY RANDY FINGAS	DATE 25/03/09
---	---------------



SOUTHWEST RAPID TRANSIT CORRIDOR - STAGE 1 LAND DRAINAGE PUMPING STATION & ASSOCIATED WORKS	
CITY DRAWING NUMBER LD-5312	SHEET 13 OF 25
WALL DETAILS SHEET 3	
CONSULTANT PROJECT NO. 088813	
C2-B2106-T	