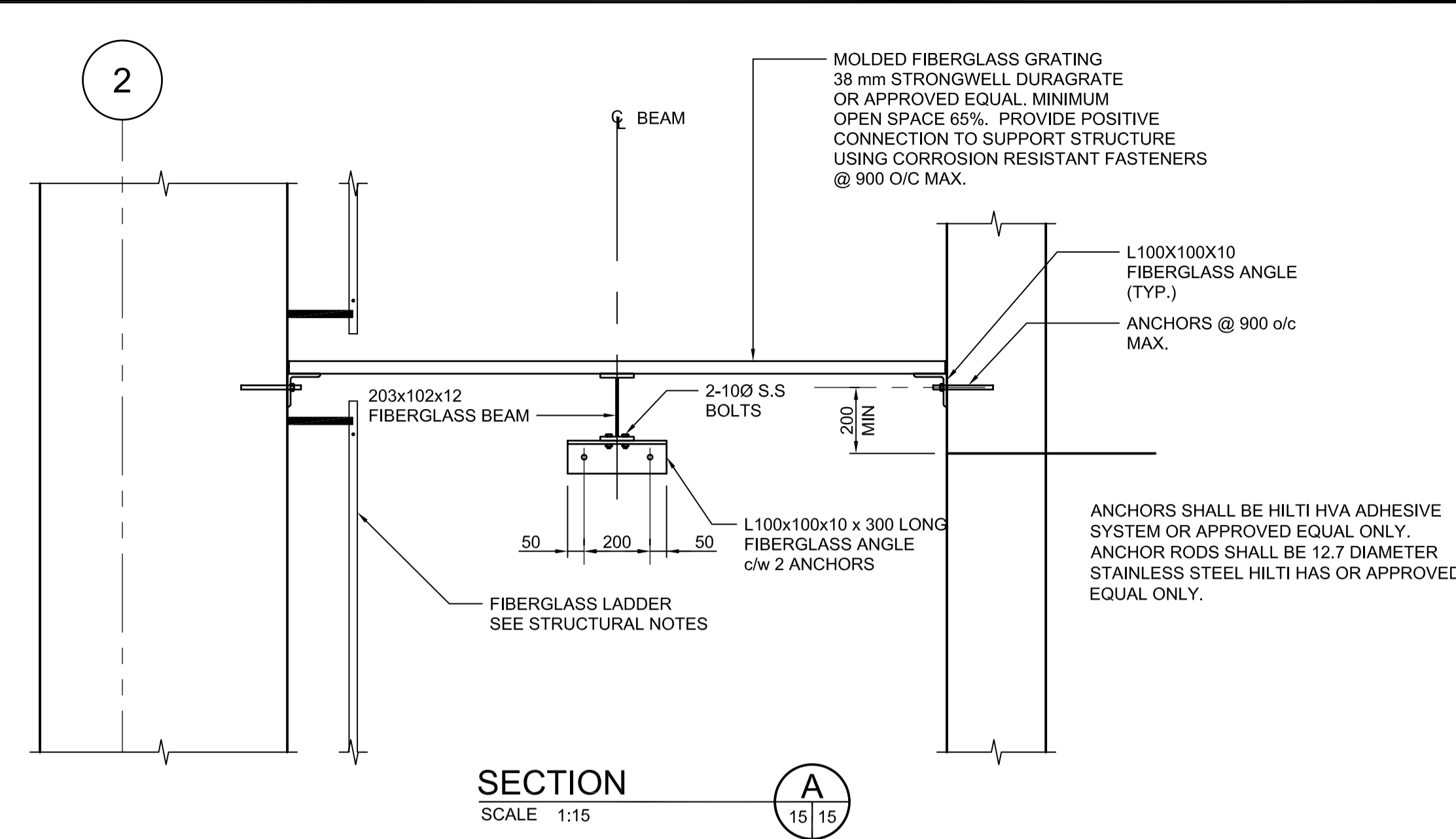
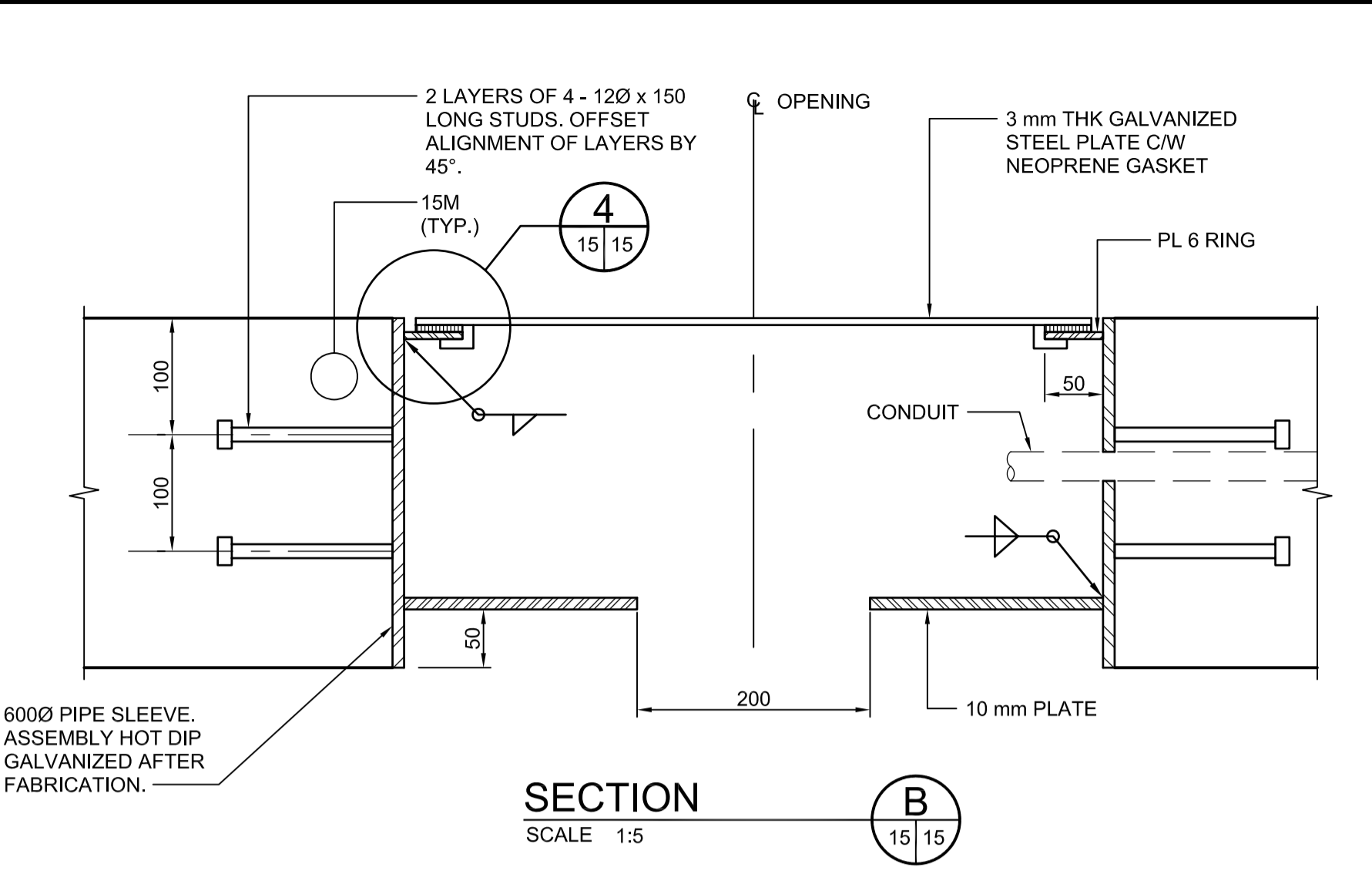


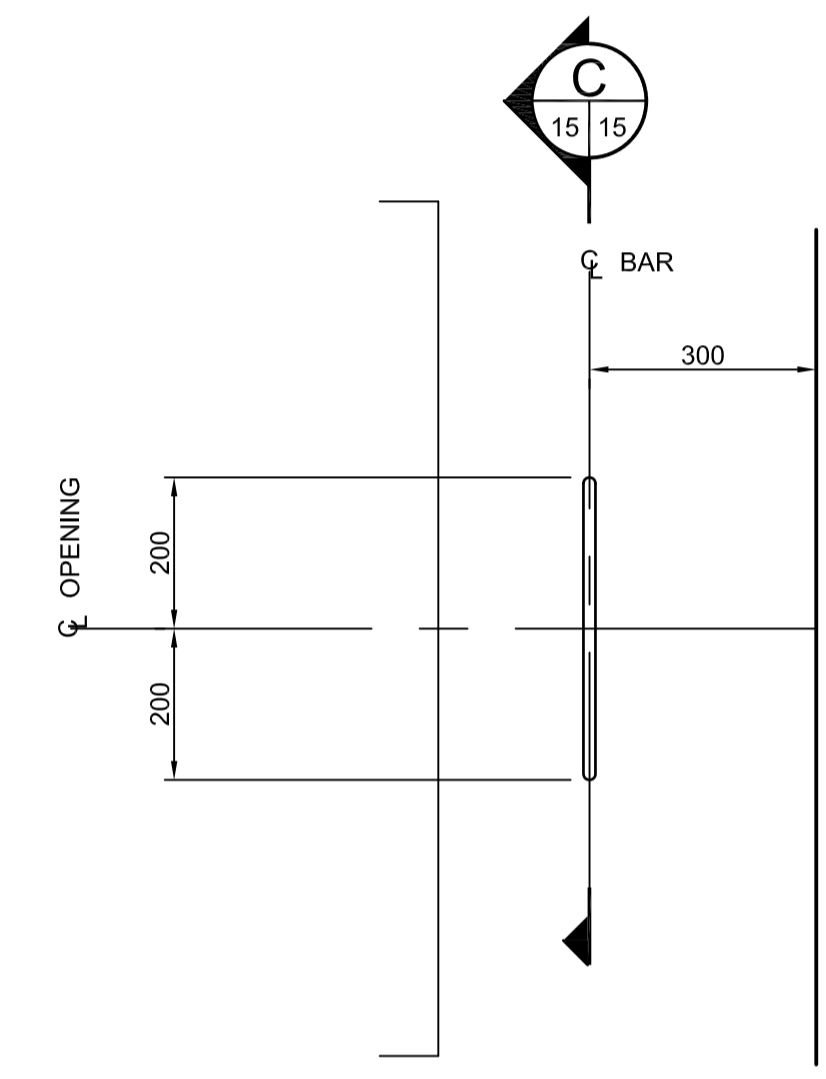
TRASH RACK FRAMING PLAN
SCALE 1:20



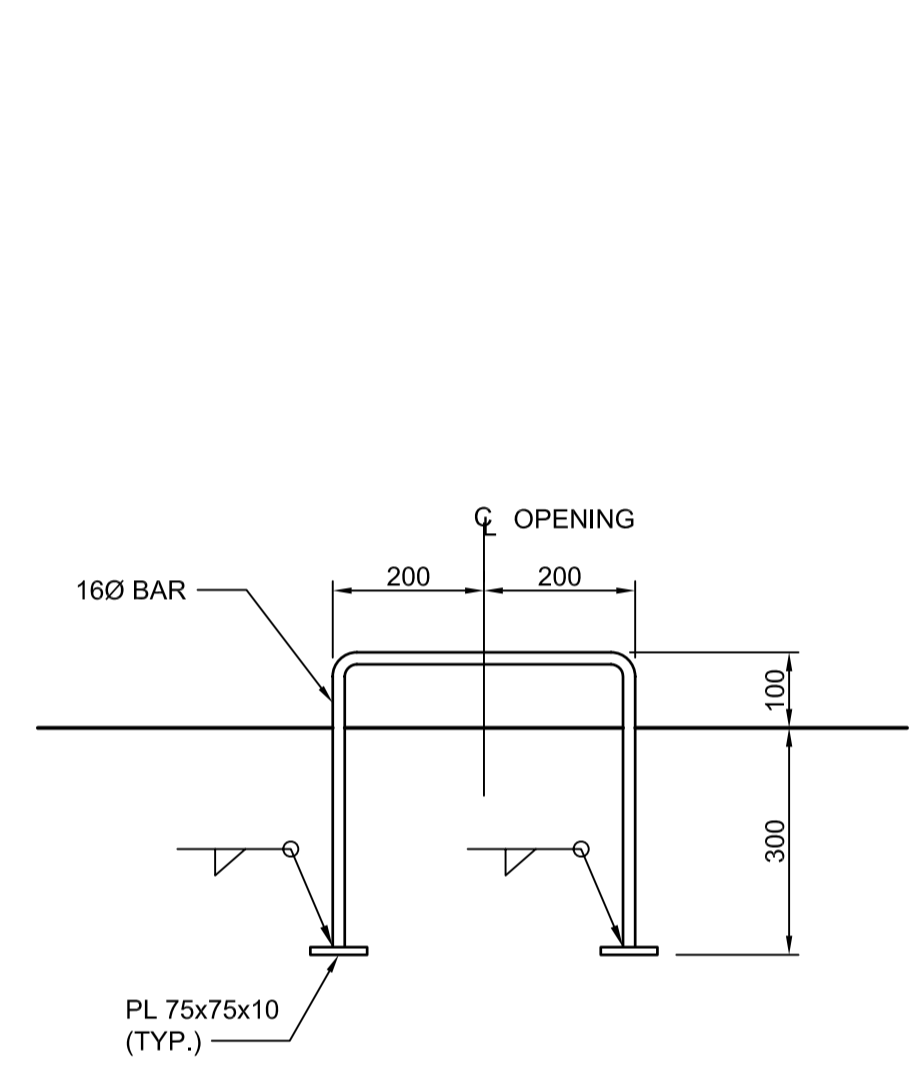
SECTION A-A
SCALE 1:15



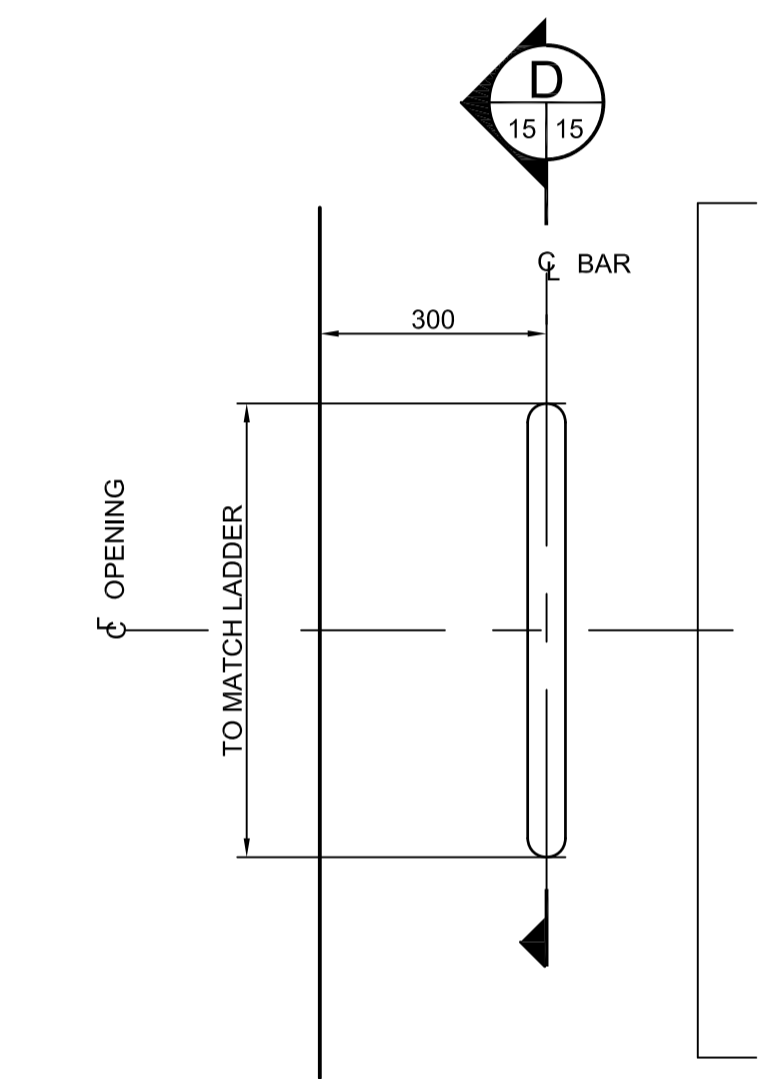
SECTION B-B
SCALE 1:5



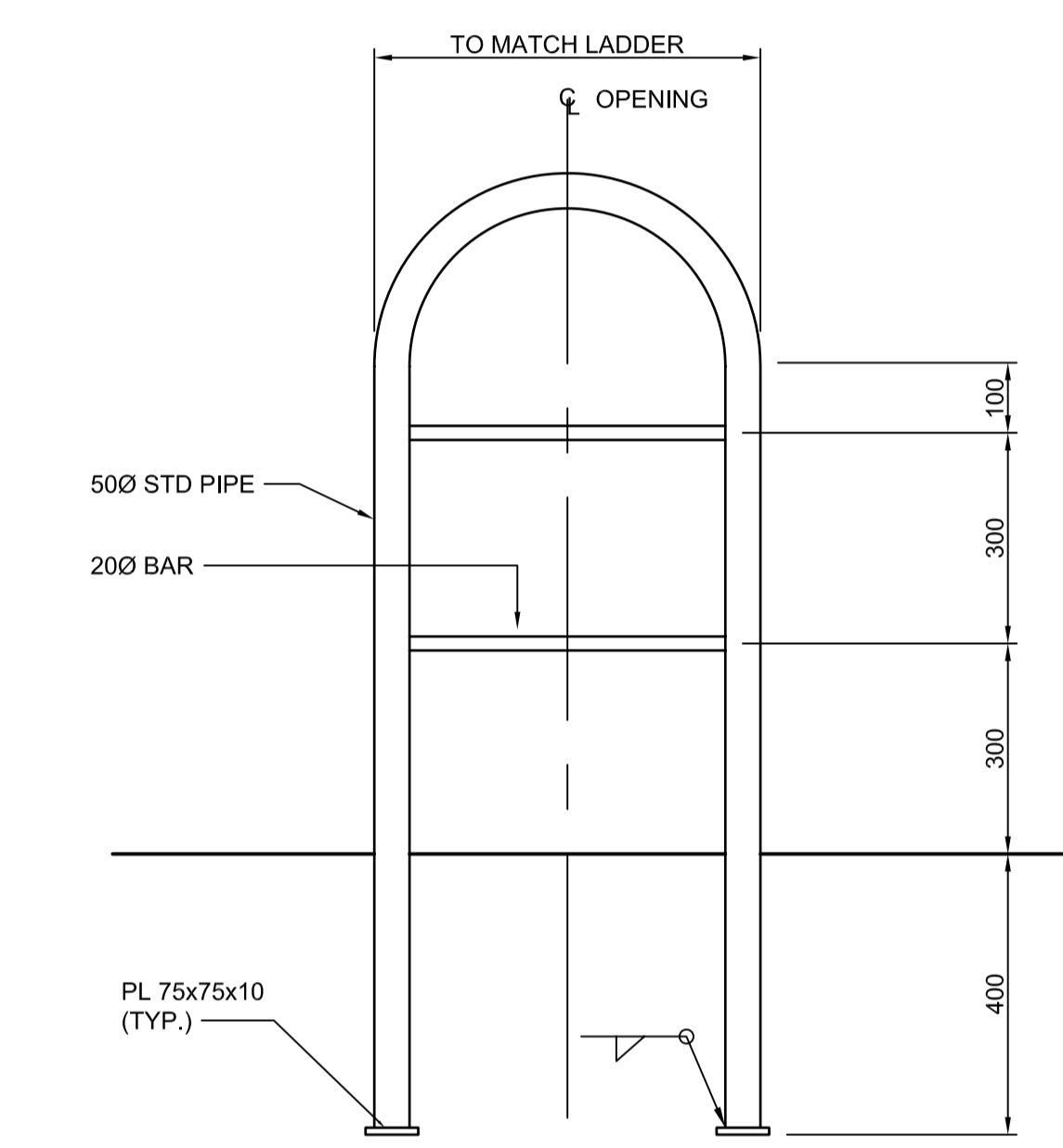
GRAB BAR DETAIL
SCALE 1:10



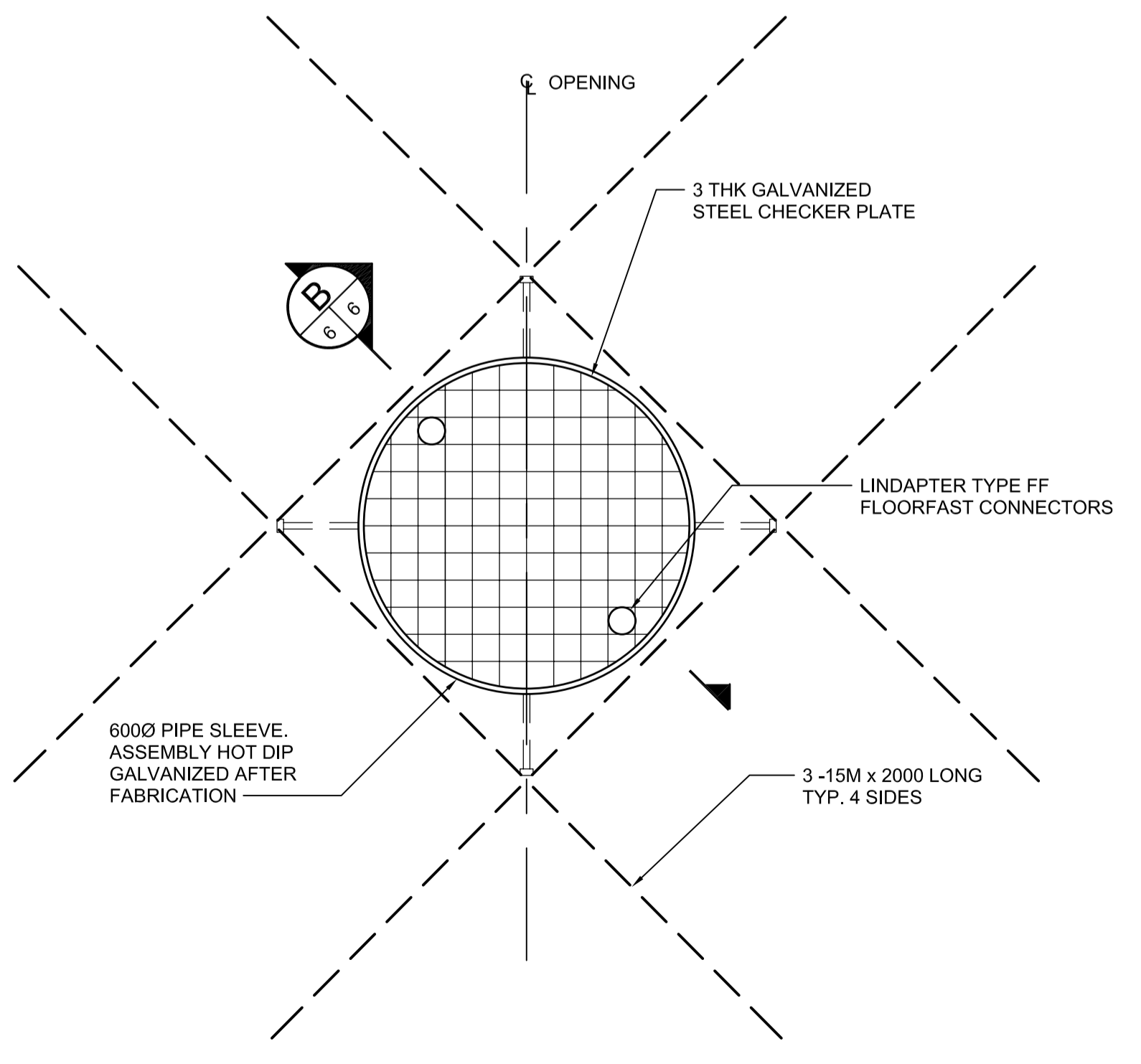
SECTION C-C
SCALE 1:10



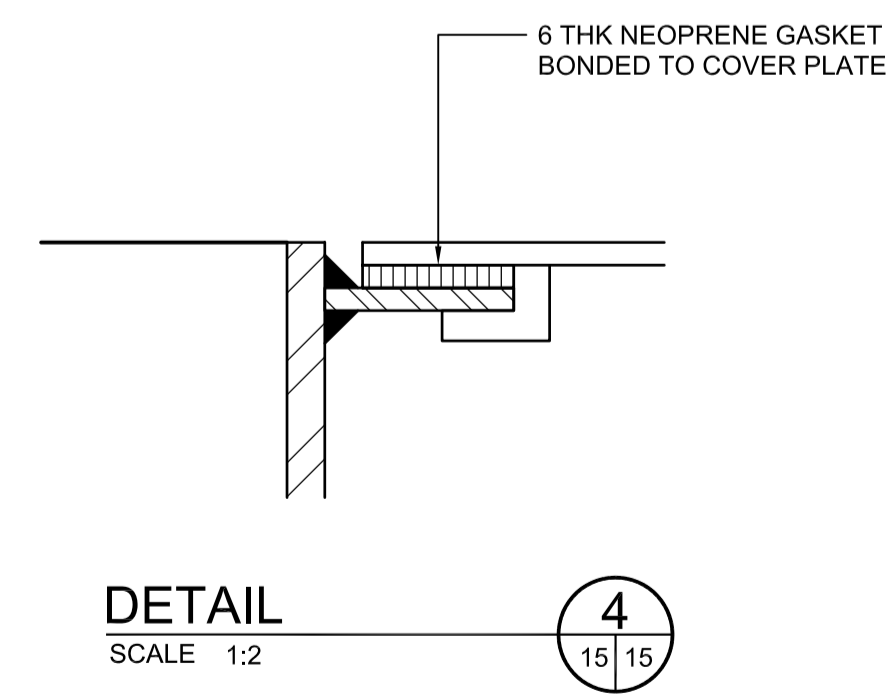
LADDER GRAB BAR DETAIL
SCALE 1:10



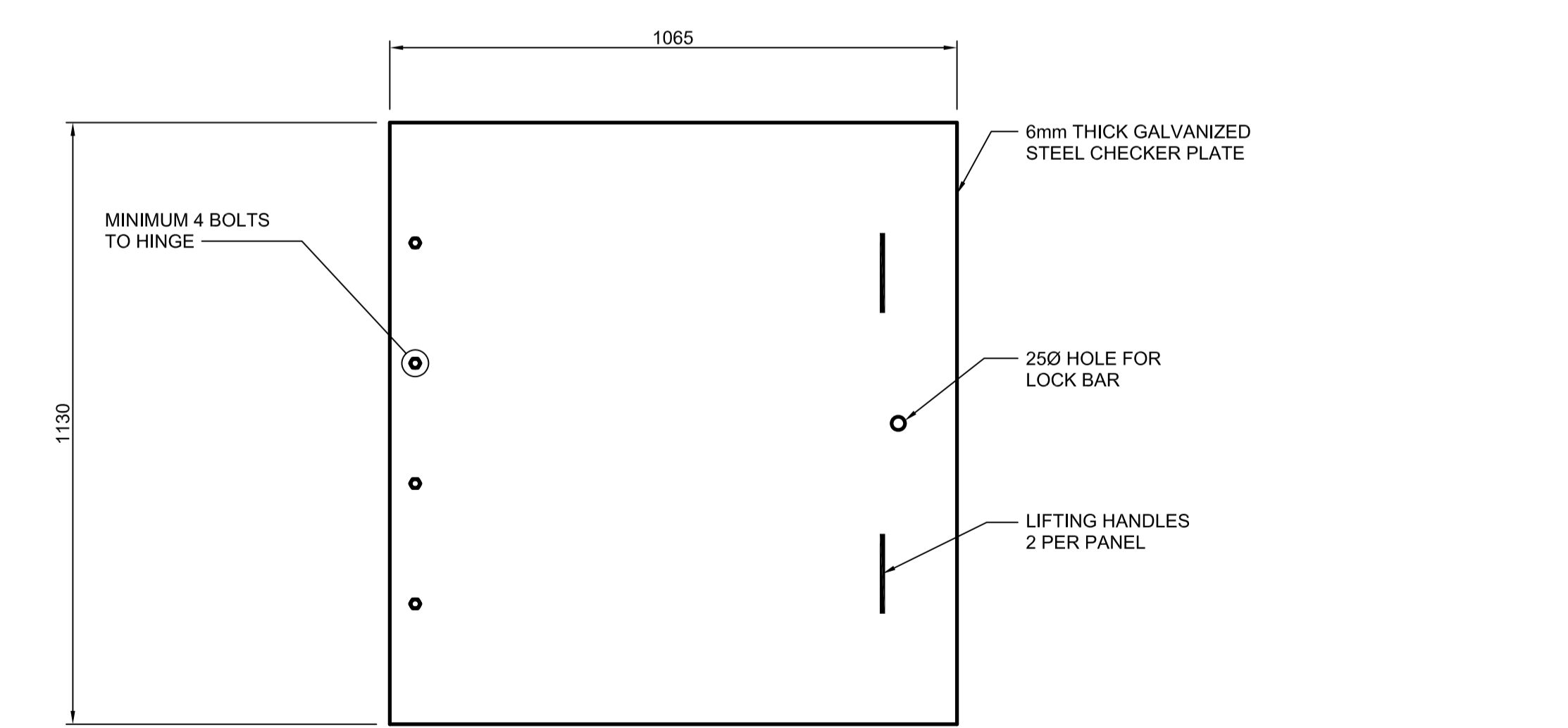
SECTION D-D
SCALE 1:10



ULTRASONIC LEVEL SENSOR ACCESS HATCH
SCALE 1:10



DETAIL 4
SCALE 1:2



TYPICAL ACCESS HATCH DETAIL
SCALE 1:10



LOCATION APPROVED UNDERGROUND STRUCTURES	B.M. ELEV.	DESIGNED BY KGW
ORIGINAL SIGNED BY DERRICK SAEDEL 25/03/09		DRAWN BY RCB
SUPV. U/G STRUCTURES COMMITTEE		CHECKED BY ORIGINAL SIGNED BY JAMES SKEET
DATE		APPROVED BY ORIGINAL SIGNED BY NORM ULYATT
		HOR. SCALE AS SHOWN
		VERTICAL AS SHOWN
0 ISSUED FOR TENDER 25/03/09 RCB		RELEASED FOR CONSTRUCTION ORIGINAL SIGNED BY RANDY FINGAS
NO. REVISIONS	DATE	DATE 01-01-09

DILLON CONSULTING	ENGINEER'S SEAL
	J.A. SKEET Member 25025
	CONSULTANT PROJECT NO. 088813
	DATE 25/03/09

THE CITY OF WINNIPEG TRANSIT DEPARTMENT SOUTHWEST RAPID TRANSIT CORRIDOR - STAGE 1 LAND DRAINAGE PUMPING STATION & ASSOCIATED WORKS		CITY DRAWING NUMBER LD-5314 SHEET 15 OF 25
MISCELLANEOUS DETAILS SHEET 1		C2-B2108-T