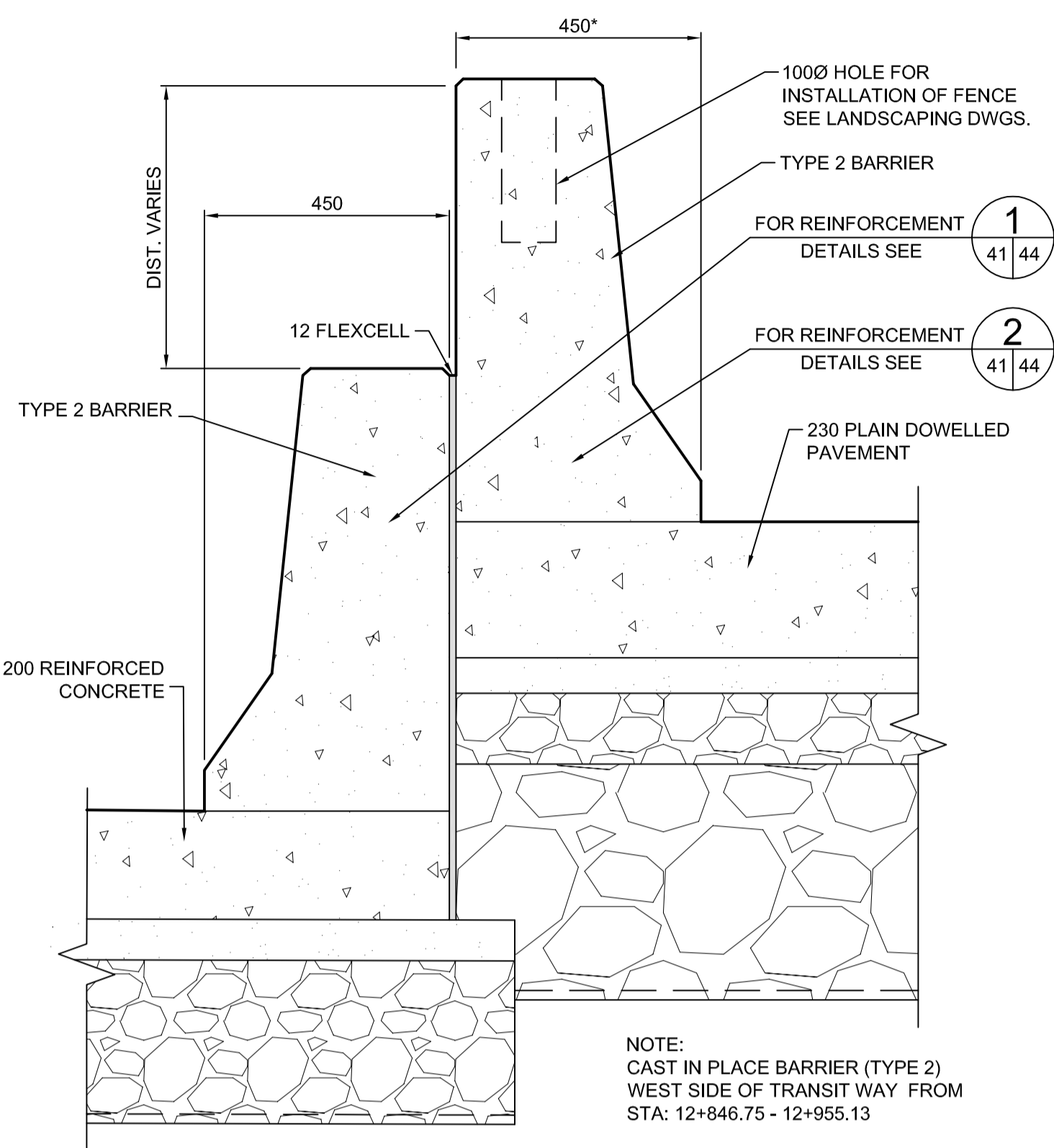
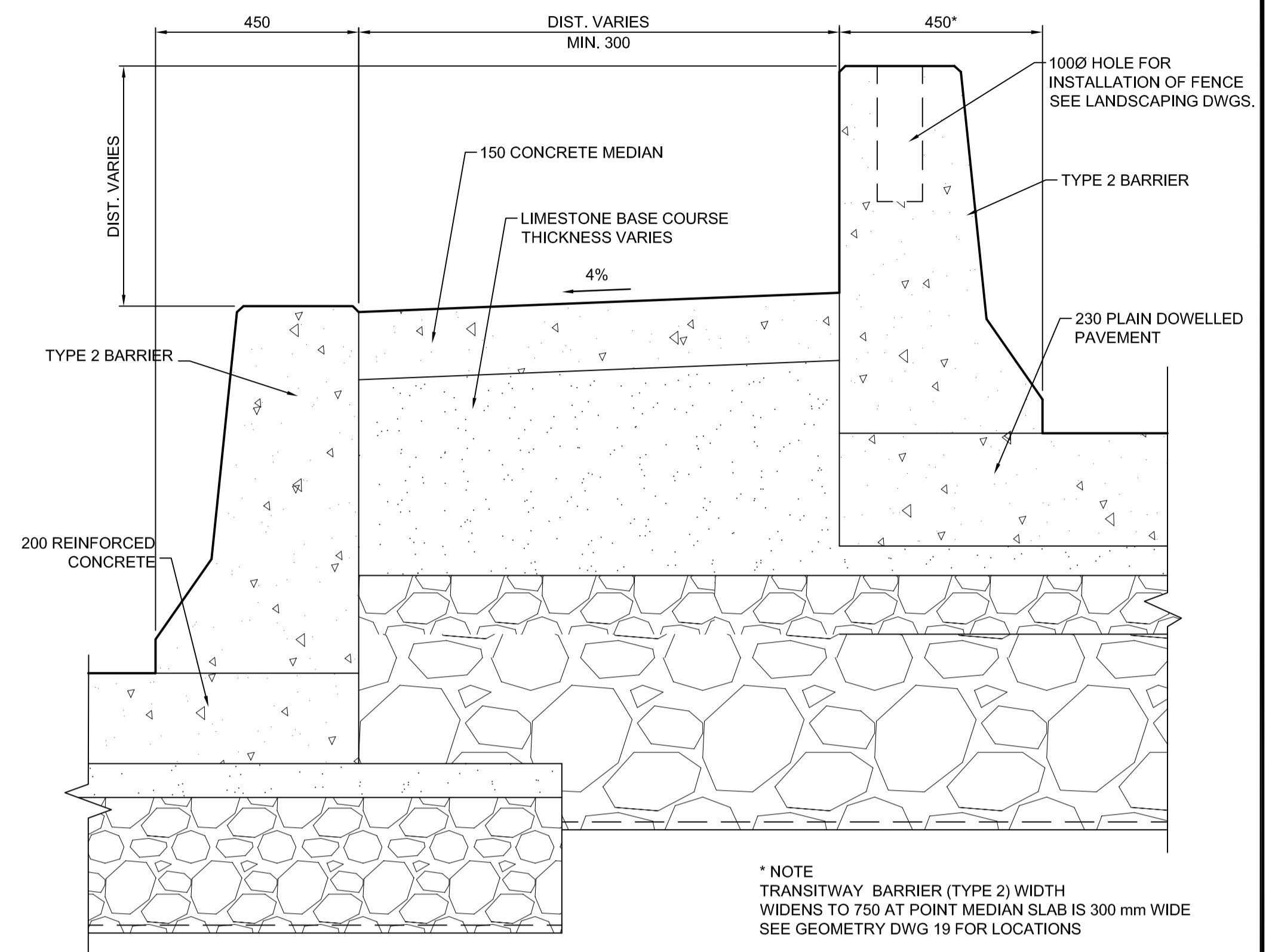


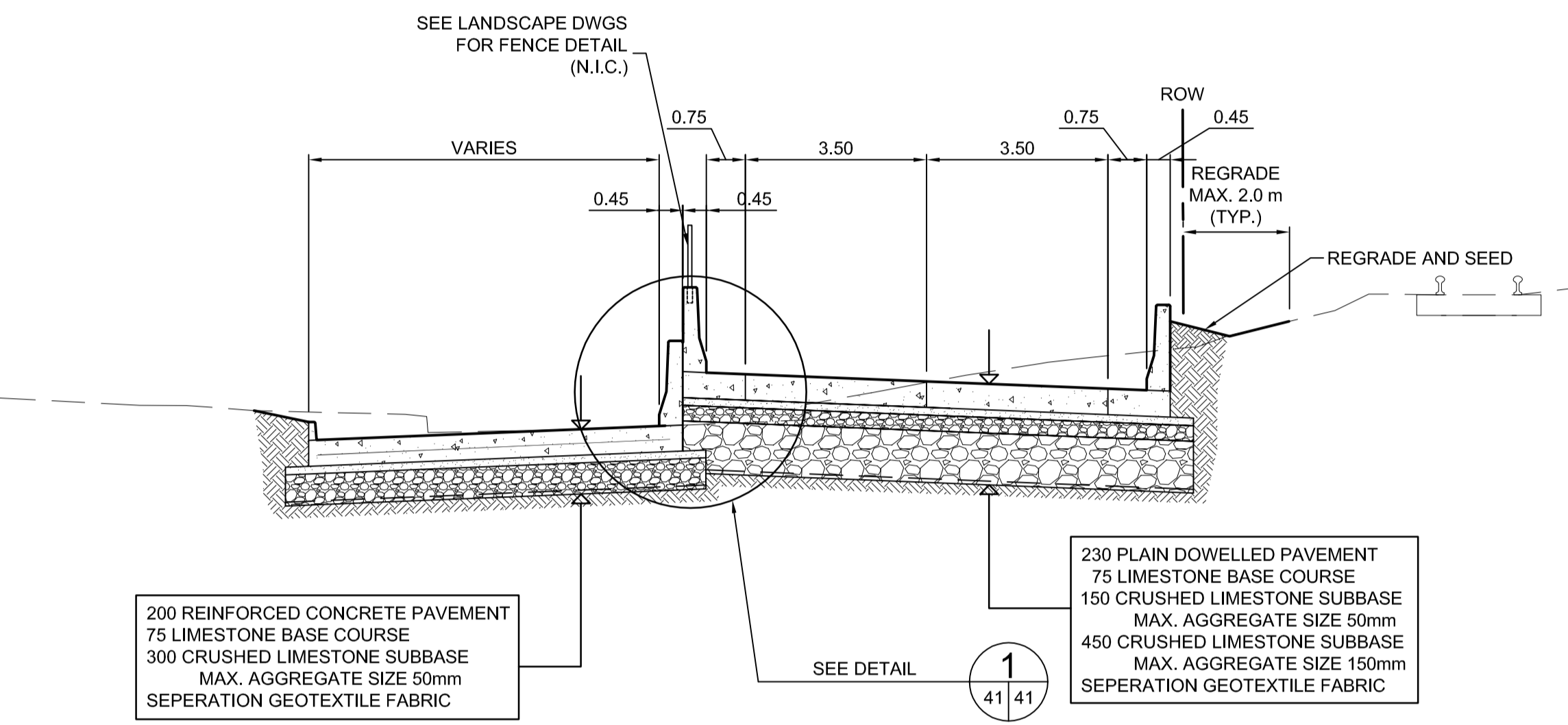
A TRANSITWAY SECTION - STA. 12+770
SCALE H=1:100 V=1:50



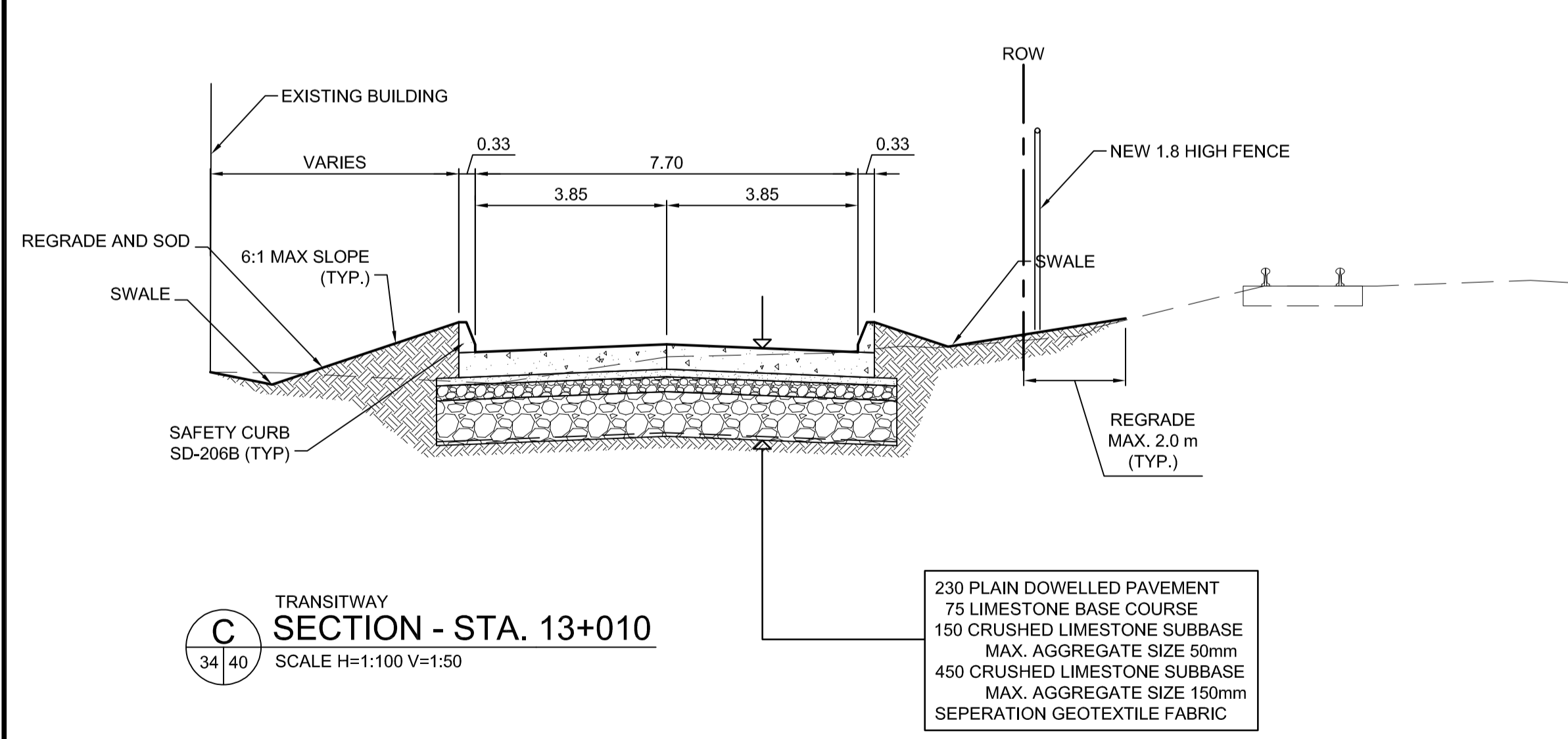
DETAIL 1
SCALE 1:10



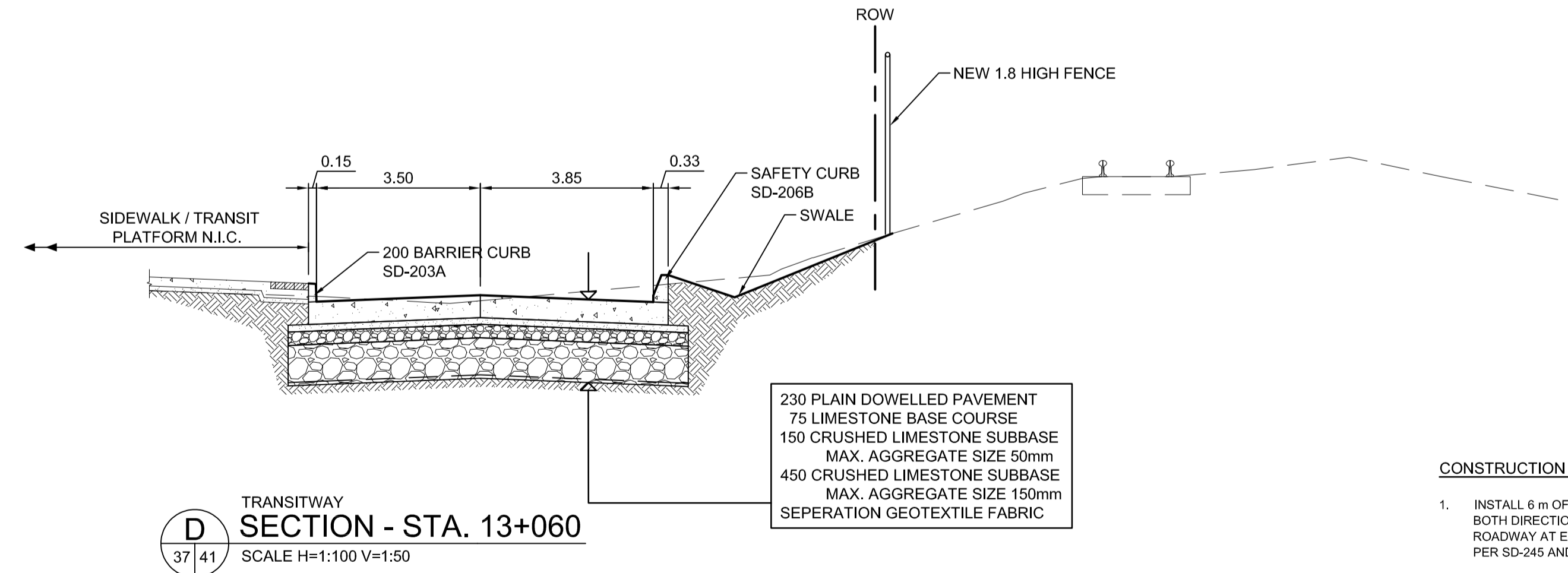
DETAIL 2
SCALE 1:10



B LAGOPOULOS WAY SECTION - STA. 12+900
SCALE H=1:100 V=1:50



C TRANSITWAY SECTION - STA. 13+010
SCALE H=1:100 V=1:50



D TRANSITWAY SECTION - STA. 13+060
SCALE H=1:100 V=1:50

CONSTRUCTION NOTES:
1. INSTALL 6 m OF 150 mm SUB DRAIN IN BOTH DIRECTIONS PARALLEL TO ROADWAY AT EACH CATCH BASIN AS PER SD-245 AND CAP ENDS.

METRIC
WHOLE NUMBERS INDICATE MILLIMETRES
DECIMALIZED NUMBERS INDICATE METRES.



LOCATION UNDERGROUND STRUCTURES SUPV. U/G STRUCTURES COMMITTEE DATE NOTE: LOCATION OF UNDERGROUND STRUCTURES AS SHOWN ARE BASED ON THE BEST INFORMATION AVAILABLE, BUT NO GUARANTEE IS GIVEN THAT ALL EXISTING UTILITIES ARE SHOWN OR THAT THE GIVEN LOCATIONS ARE EXACT. CONFIRMATION OF EXISTENCE AND EXACT LOCATION OF ALL SERVICES MUST BE OBTAINED FROM THE INDIVIDUAL UTILITIES BEFORE PROCEEDING WITH CONSTRUCTION.	APPROVED STRUCTURES B.M. 654265 (633392.694, 5525026.192) ELEV. 232.518	DESIGNED BY: DBW/RTP DRAWN BY: TJH CHECKED BY: ORIGINAL SIGNED BY TARAN J. PETERS APPROVED BY: ORIGINAL SIGNED BY DAVE P. KRAHN		ENGINEER'S SEAL 	THE CITY OF WINNIPEG TRANSIT DEPARTMENT SOUTHWEST RAPID TRANSIT CORRIDOR - STAGE 1 TRANSITWAY CONSTRUCTION, DONALD/HARKNESS RECONSTRUCTION & ASSOCIATED WORKS	CITY DRAWING NUMBER: P-3299-41 SHEET: 41 OF 64 CONSULTANT DRAWING NUMBER: C3-C3023-T
2 ISSUED FOR TENDER 04/29/09 TJP 1 SUBMITTED FOR 95% REVIEW 02/13/09 TJP	HOR. SCALE: AS NOTED VERTICAL:	RELEASED FOR CONSTRUCTION ORIGINAL SIGNED BY RANDY FINGAS DATE: 04/29/09	CONSULTANT PROJECT NO.: 088813	CROSS SECTIONS - STA. 12+900 TO 13+060		

G:\CAD\088813\Contract\Contract 3-Donald Street\Roadway\C1-501-Cross Sections.dwg