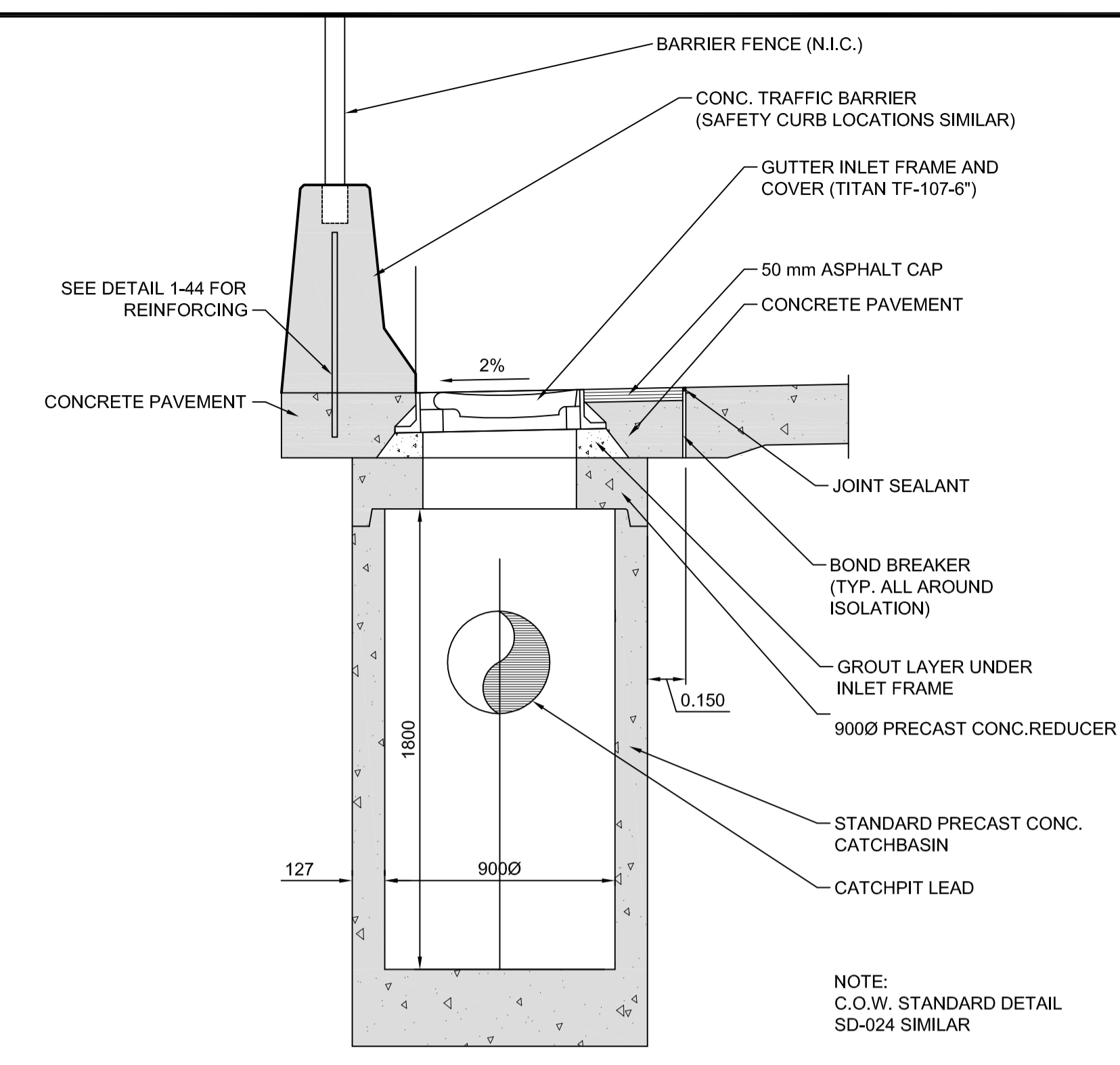
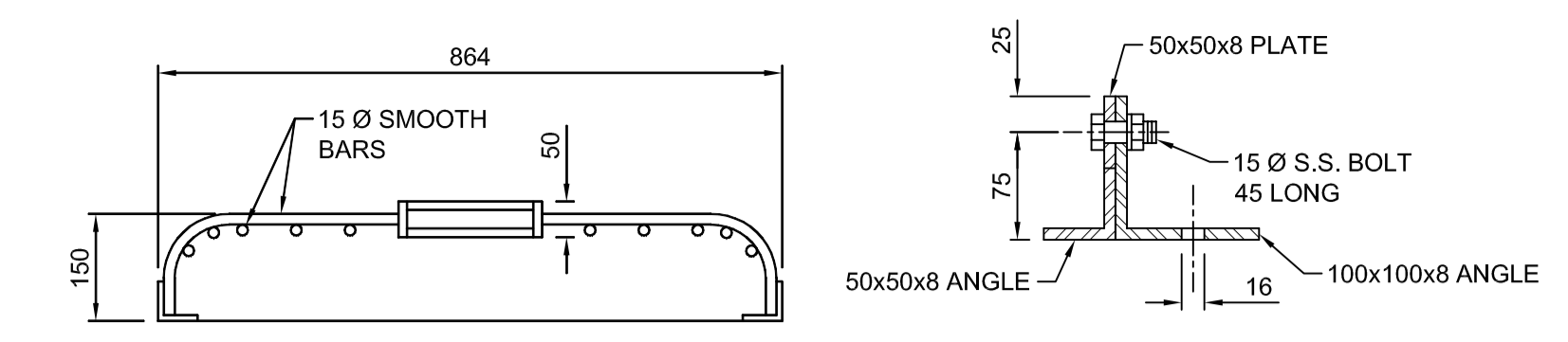


DUAL INLET WITH LEADS-DETAIL
SCALE 1:20

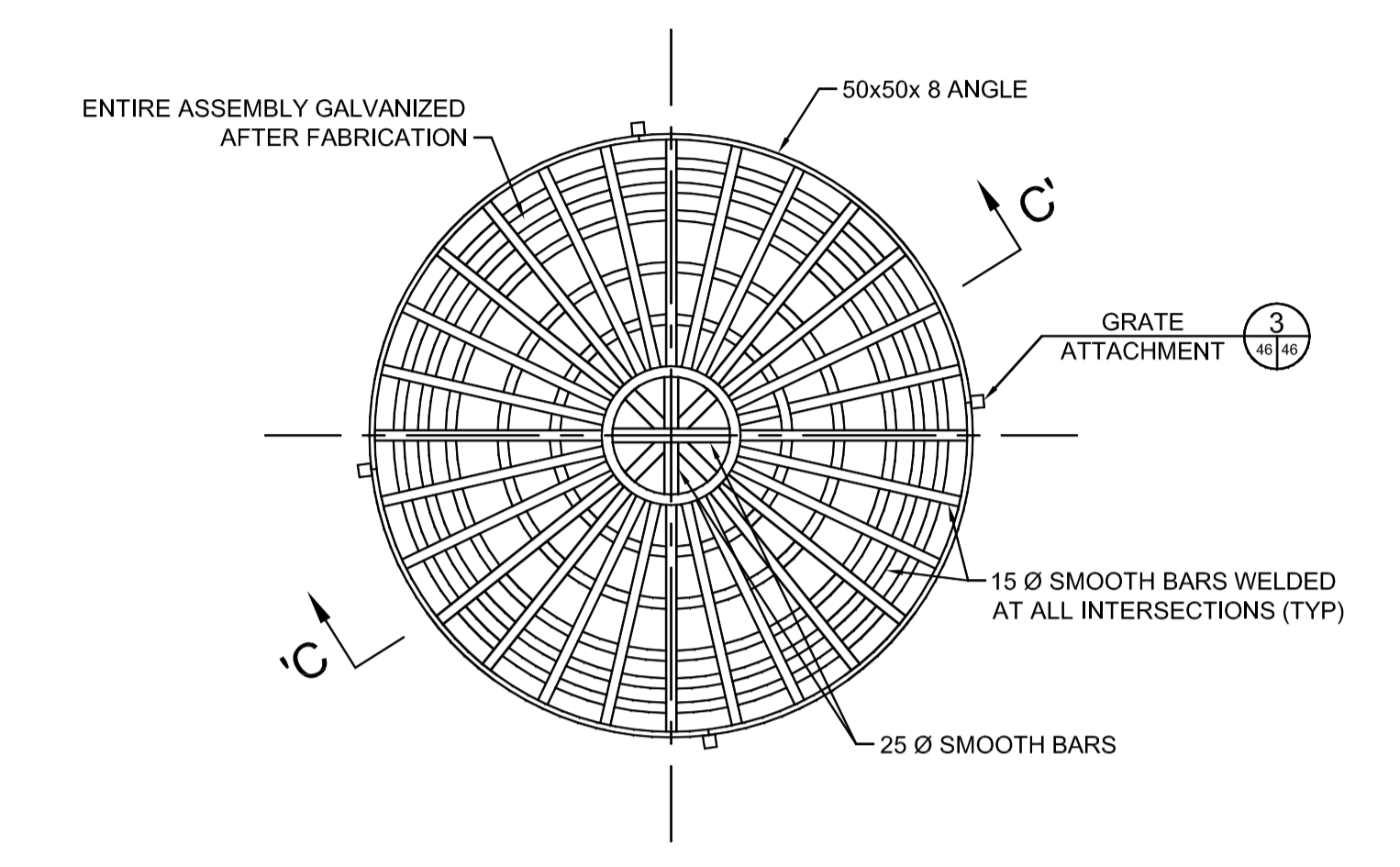


SECTION
SCALE 1:20

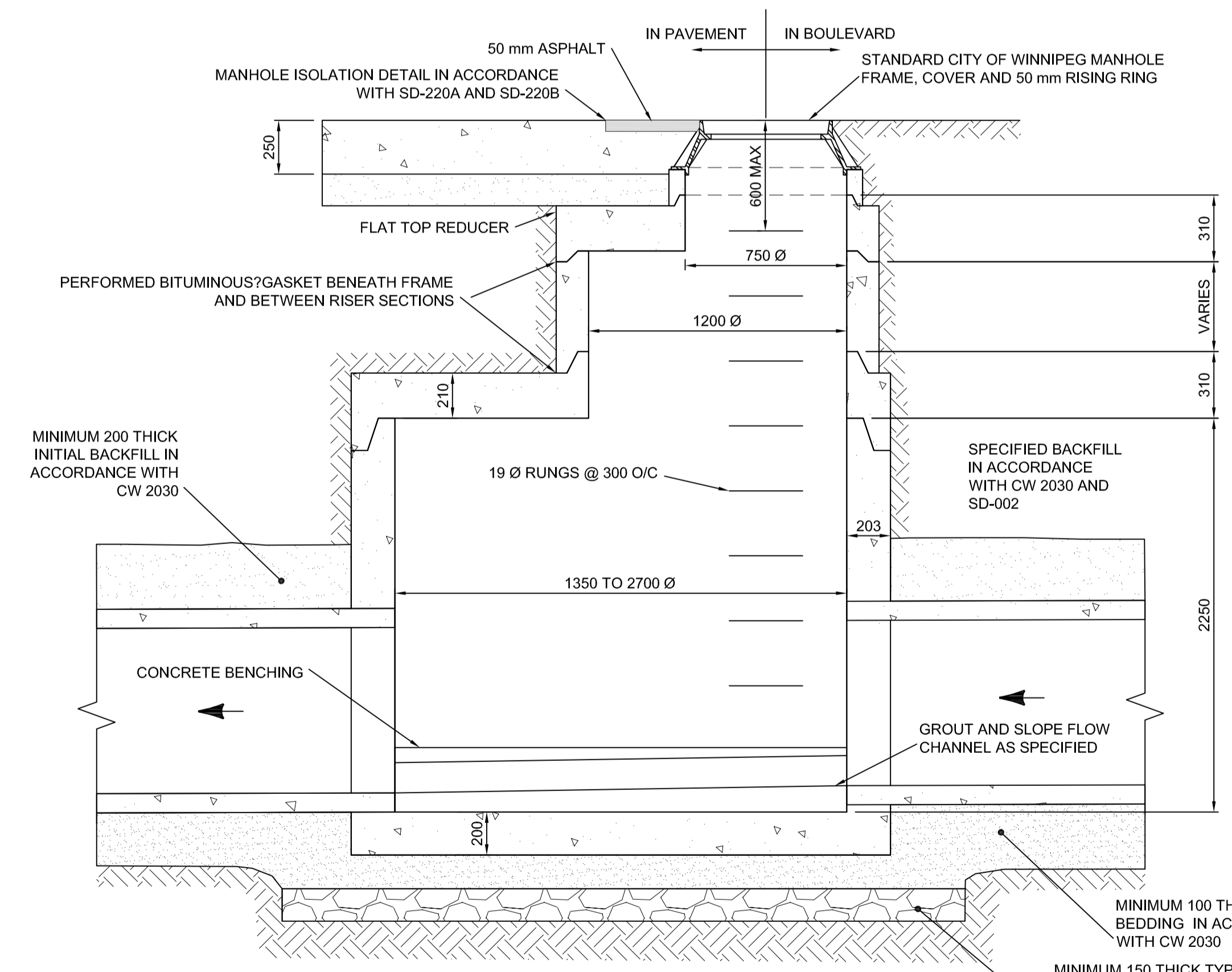


SCALE 1:10

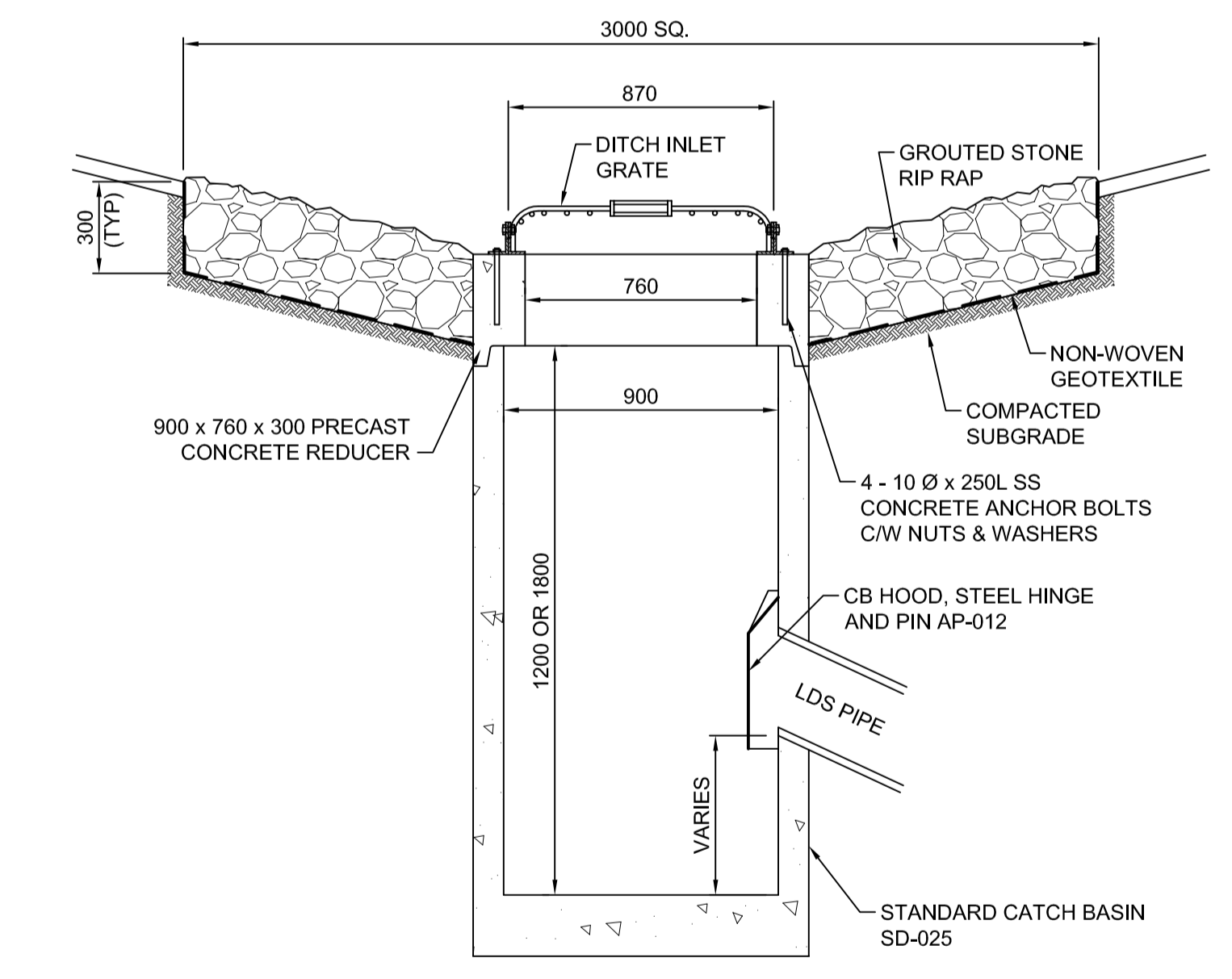
SCALE 1:5



SCALE 1:10



SCALE 1:20



SCALE 1:20

APECM Certificate of Authorization Dillon Consulting Limited (MB) No. 1789 Date: _____	LOCATION UNDERGROUND APPROVED STRUCTURES SUPV. U/G STRUCTURES COMMITTEE DATE	B.M. 654265 (633392.694, 5525026.192) ELEV. 232.518	DESIGNED BY RTP DRAWN BY TJH CHECKED BY ORIGINAL SIGNED BY TARAN J. PETERS APPROVED BY ORIGINAL SIGNED BY DAVE P. KRAHN		ENGINEER'S SEAL 	THE CITY OF WINNIPEG TRANSIT DEPARTMENT	SOUTHWEST RAPID TRANSIT CORRIDOR - STAGE 1 TRANSITWAY CONSTRUCTION, DONALD/HARKNESS RECONSTRUCTION & ASSOCIATED WORKS	CITY DRAWING NUMBER P-3299-46 SHEET 46 OF 64	
	NOTE: LOCATION OF UNDERGROUND STRUCTURES AS SHOWN ARE BASED ON THE BEST INFORMATION AVAILABLE, BUT NO GUARANTEE IS GIVEN THAT ALL EXISTING UTILITIES ARE SHOWN OR THAT THE GIVEN LOCATIONS ARE EXACT. CONFIRMATION OF EXISTENCE AND EXACT LOCATION OF ALL SERVICES MUST BE OBTAINED FROM THE INDIVIDUAL UTILITIES BEFORE PROCEEDING WITH CONSTRUCTION.	2 ISSUED FOR TENDER 04/29/09 TJP 1 SUBMITTED FOR 95% REVIEW 02/13/09 TJP	HOR. SCALE AS NOTED VERTICAL		RELEASED FOR CONSTRUCTION ORIGINAL SIGNED BY RANDY FINGAS DATE 04/29/09		CONSULTANT PROJECT NO. 088813	CATCH BASIN & MANHOLE DETAILS	CONSULTANT DRAWING NUMBER C3-C3028-T
	NO. REVISIONS DATE BY	DATE 04/29/09	DATE 04/29/09		DATE 04/29/09		088813	CATCH BASIN & MANHOLE DETAILS	C3-C3028-T
	LOCATION OF UNDERGROUND STRUCTURES AS SHOWN ARE BASED ON THE BEST INFORMATION AVAILABLE, BUT NO GUARANTEE IS GIVEN THAT ALL EXISTING UTILITIES ARE SHOWN OR THAT THE GIVEN LOCATIONS ARE EXACT. CONFIRMATION OF EXISTENCE AND EXACT LOCATION OF ALL SERVICES MUST BE OBTAINED FROM THE INDIVIDUAL UTILITIES BEFORE PROCEEDING WITH CONSTRUCTION.								

G:\CAD\088813\Contract\Contract 3-Donald Street\Current\Roadway\C1-501-Cross Sections.dwg