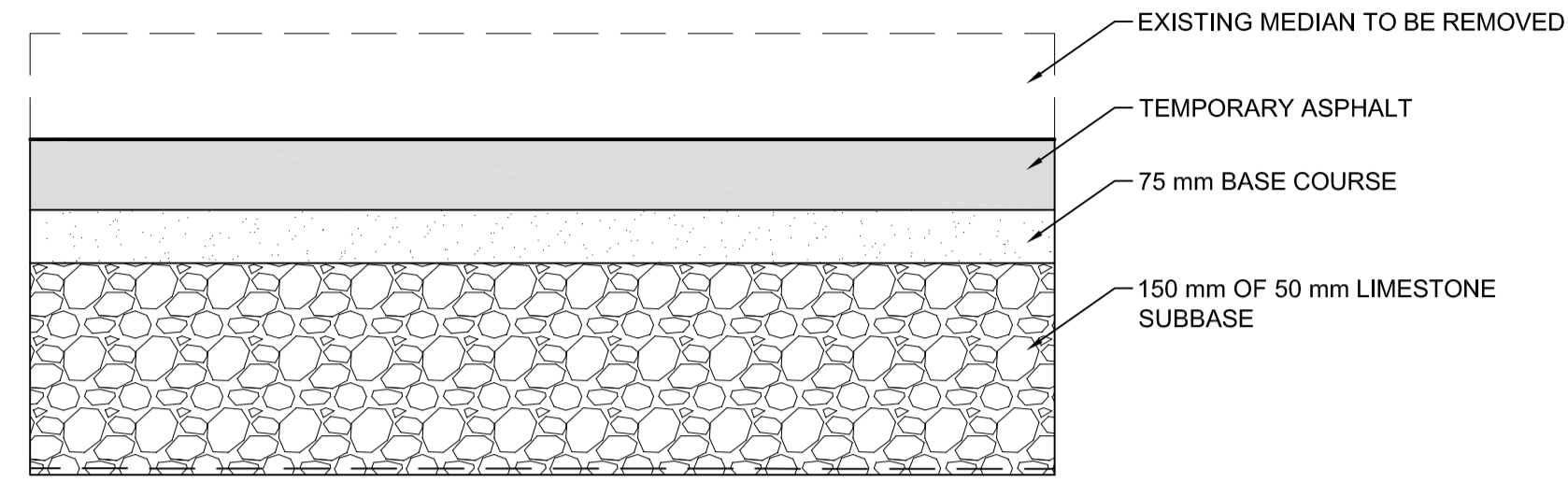
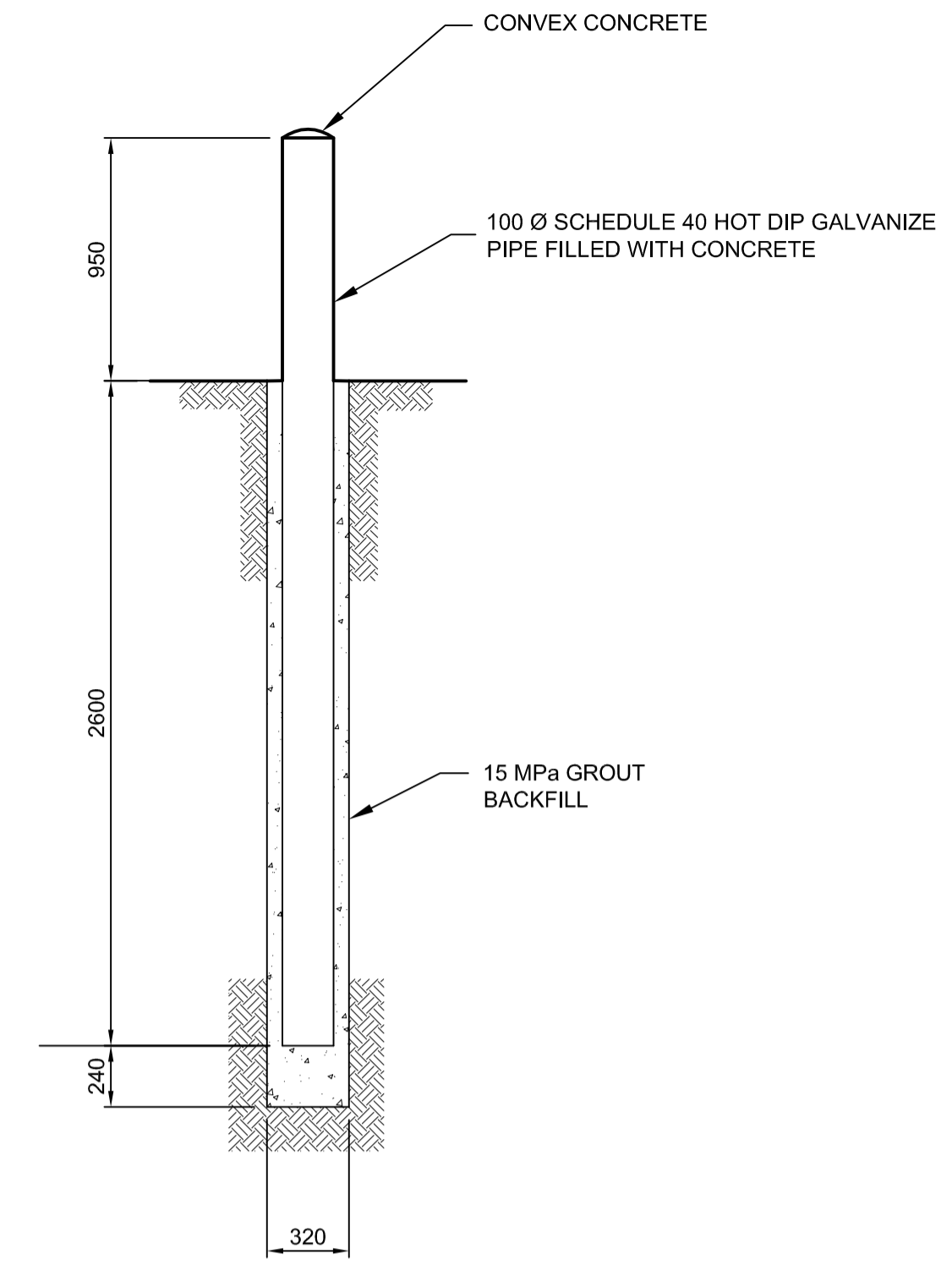


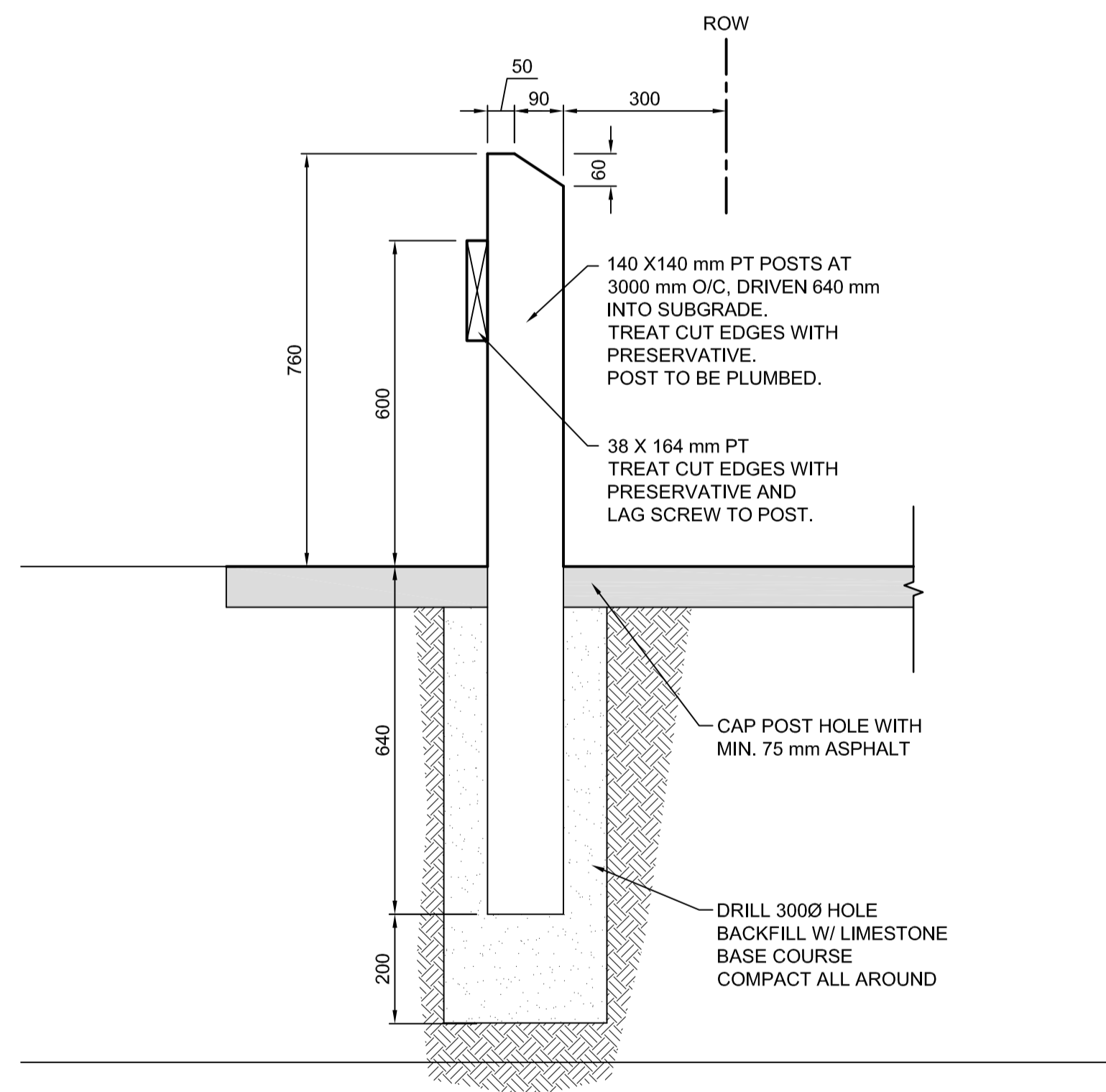
DETAIL 1
SCALE 1:10
21,24,31 47



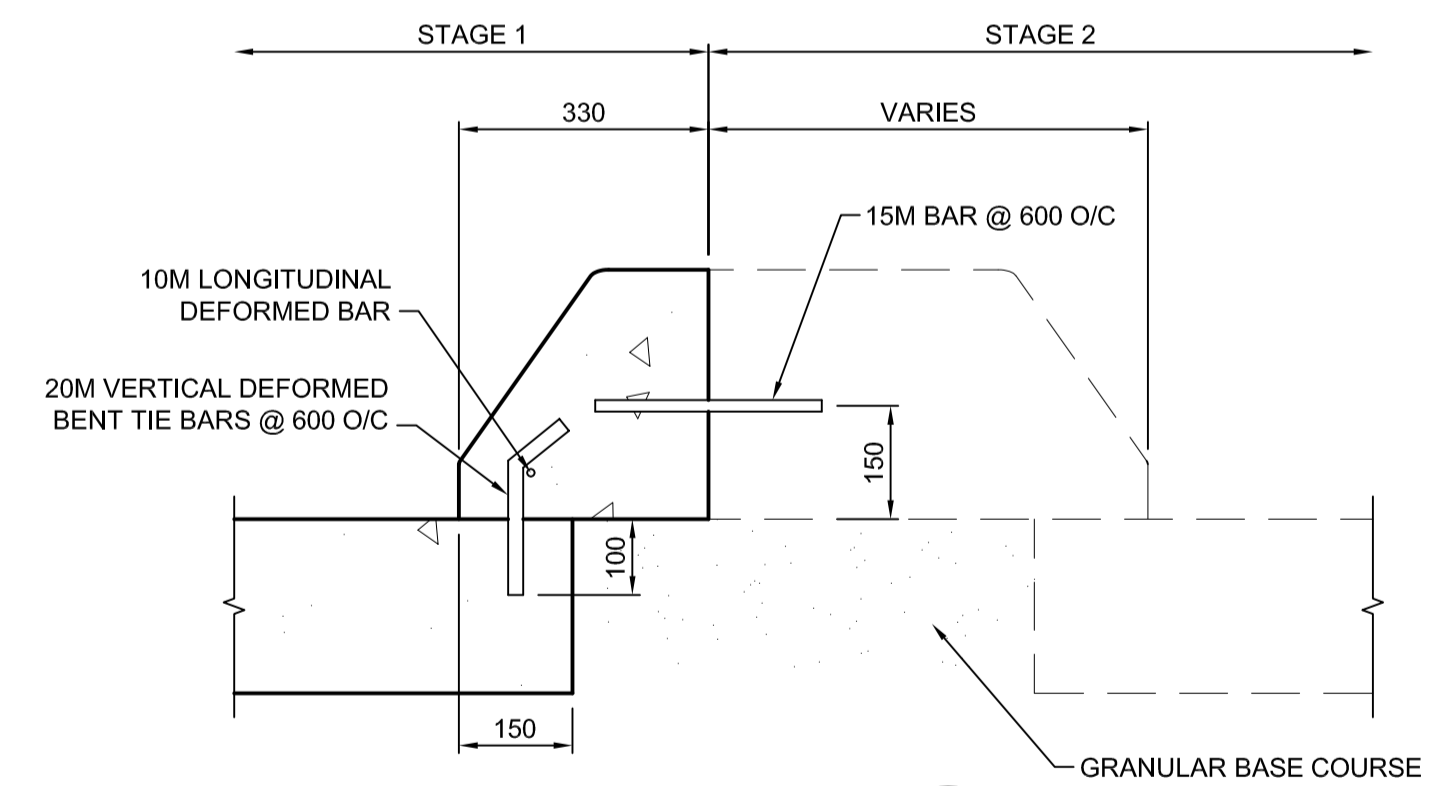
DETAIL 2
SCALE 1:10
12 47



DETAIL 3
SCALE 1:25
31 47



DETAIL 4
SCALE 1:10
21,24 47



DETAIL 5
SCALE 1:10
12,13 47

C:\CAD\088813\Contract\Contract 3-Donald Street\Current\Roadway\C1-501-Cross Sections.dwg



LOCATION UNDERGROUND STRUCTURES SUPV. U/G STRUCTURES COMMITTEE DATE NOTE: LOCATION OF UNDERGROUND STRUCTURES AS SHOWN ARE BASED ON THE BEST INFORMATION AVAILABLE, BUT NO GUARANTEE IS GIVEN THAT ALL EXISTING UTILITIES ARE SHOWN OR THAT THE GIVEN LOCATIONS ARE EXACT. CONFIRMATION OF EXISTENCE AND EXACT LOCATION OF ALL SERVICES MUST BE OBTAINED FROM THE INDIVIDUAL UTILITIES BEFORE PROCEEDING WITH CONSTRUCTION.	APPROVED STRUCTURES B.M. 654265 (633392.694, 5525026.192) ELEV. 232.518	DESIGNED BY RTP DRAWN BY TJH CHECKED BY ORIGINAL SIGNED BY TARAN J. PETERS APPROVED BY ORIGINAL SIGNED BY DAVE P. KRAHN		ENGINEER'S SEAL 		SOUTHWEST RAPID TRANSIT CORRIDOR - STAGE 1 TRANSITWAY CONSTRUCTION, DONALD/HARKNESS RECONSTRUCTION & ASSOCIATED WORKS	CITY DRAWING NUMBER P-3299-47 SHEET 47 OF 64 CONSULTANT DRAWING NUMBER C3-C3029-T
NO. REVISIONS DATE BY DATE	2 ISSUED FOR TENDER 04/29/09 TJP 1 SUBMITTED FOR 95% REVIEW 02/13/09 TJP	HOR. SCALE AS NOTED VERTICAL DATE 04/29/09	RELEASED FOR CONSTRUCTION ORIGINAL SIGNED BY RANDY FINGAS DATE 04/29/09	CONSULTANT PROJECT NO. 088813	MISC. DETAILS		