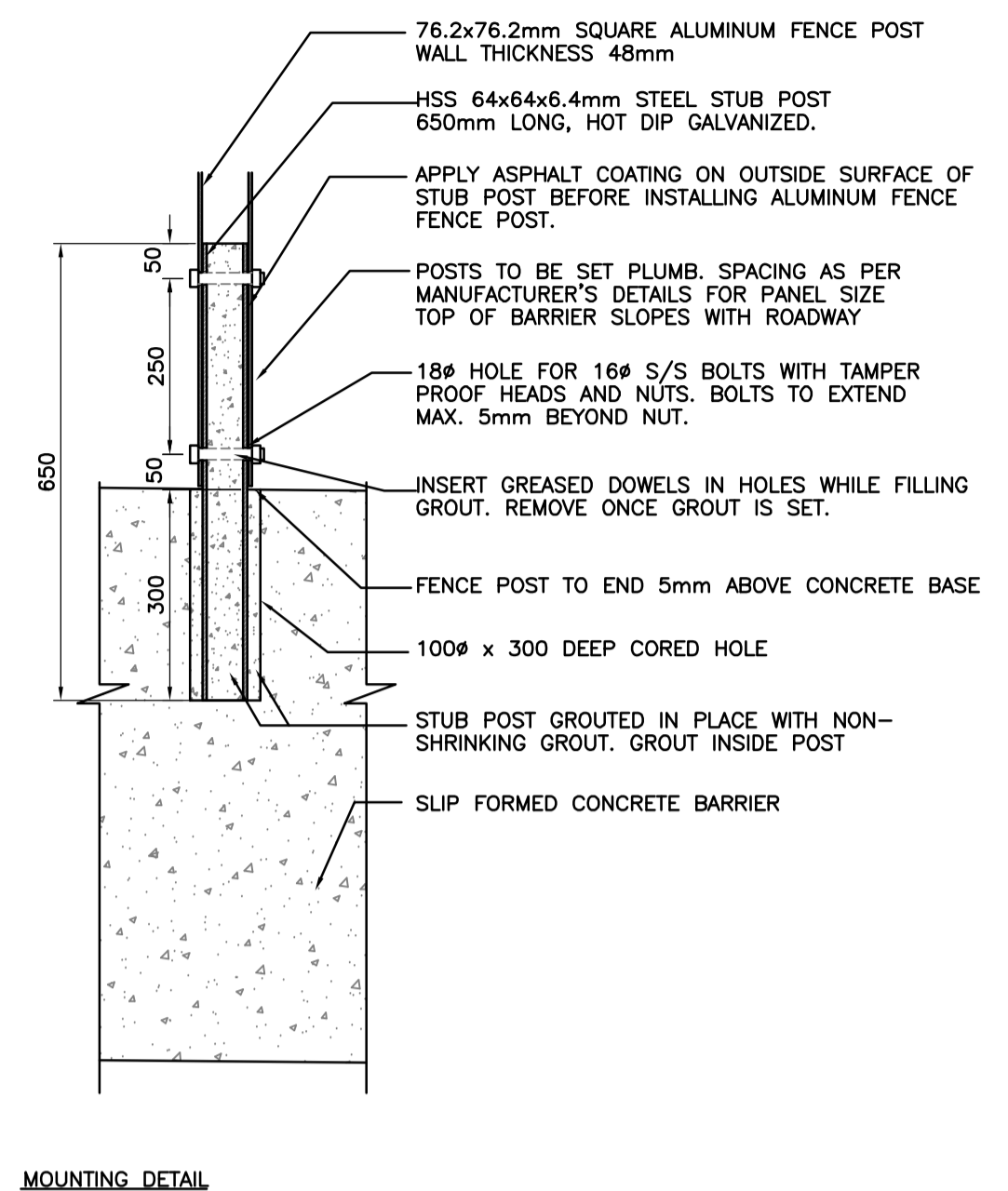


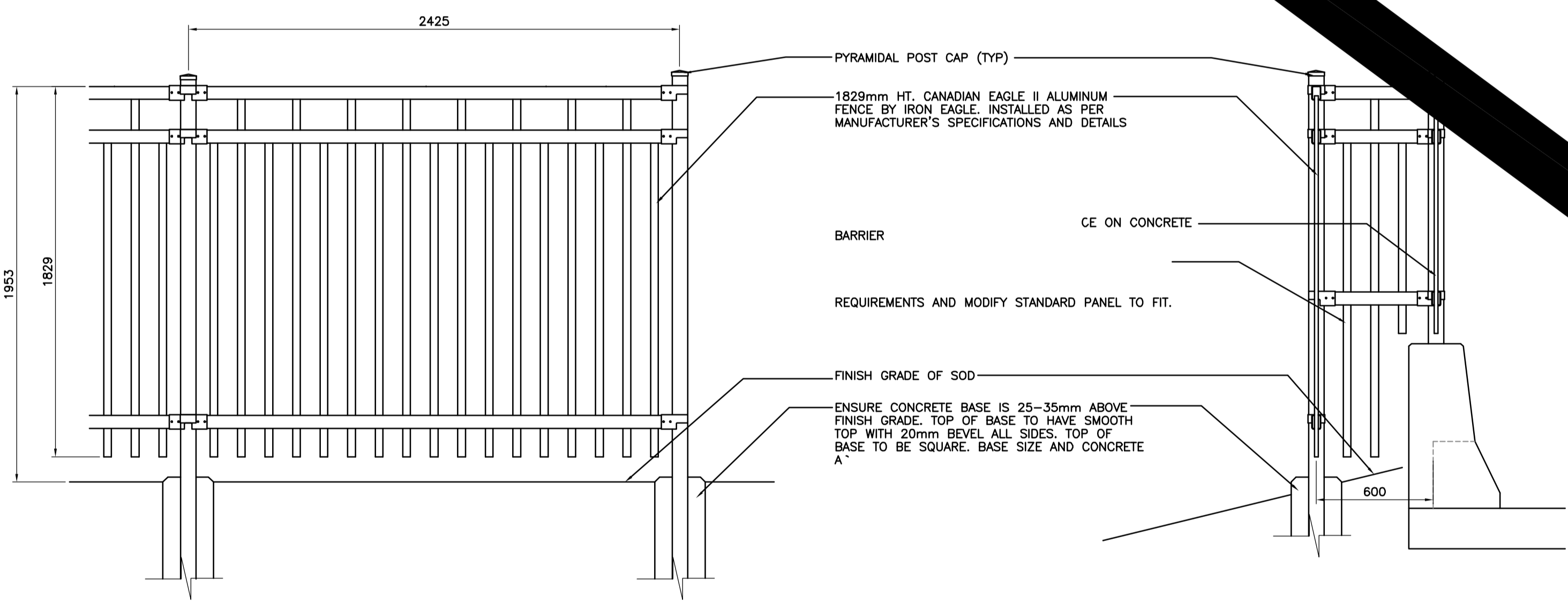
FRONT ELEVATION

TYPICAL FENCE MOUNTED ON JERSEY BARRIER
N.T.S.

1
- 63

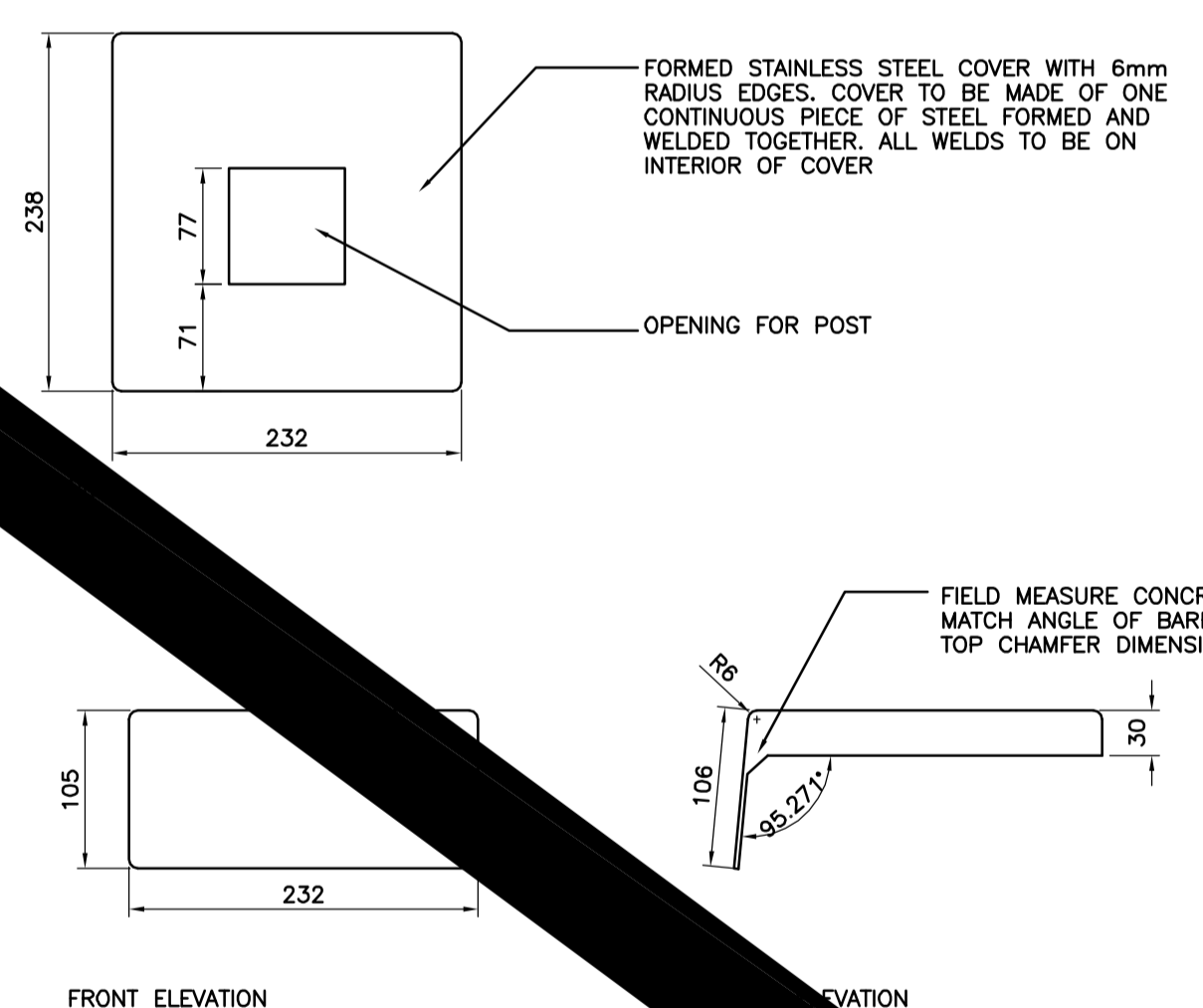


MOUNTING DETAIL



TYPICAL FENCE IN SOD AND TRANSITION TO FENCE MOUNTED ON BARRIER
N.T.S.

2
- 63



FRONT ELEVATION

ELEVATION

STAINLESS STEEL BOLT COVER
N.T.S.

3
- 63

N.I.C.

X:\08-028_Southwestern BRT Corridor\dwg\2009\wkg_dwg_phase 1\L2_details.dwg

LOCATION UNDERGROUND STRUCTURES SUPV. U/G STRUCTURES COMMITTEE DATE		APPROVED DATE		B.M. ELEV. BM ELEV.		DESIGNED BY SR/JW DRAWN BY JW/OV CHECKED BY JW/SR APPROVED BY		 DILLON CONSULTING		LANDSCAPE ARCHITECT'S SEAL CONSULTANT PROJECT NO. 08-028		 THE CITY OF WINNIPEG TRANSIT DEPARTMENT		SOUTHWEST RAPID TRANSIT CORRIDOR - STAGE 1 TRANSITWAY CONSTRUCTION, DONALD/HARKNESS RECONSTRUCTION & ASSOCIATED WORK		CITY DRAWING NUMBER P-3299-63 SHEET 63 OF 64 CONSULTANT DRAWING NUMBER C3-L-5008-T	
NOTE: LOCATION OF UNDERGROUND STRUCTURES AS SHOWN ARE BASED ON THE BEST INFORMATION AVAILABLE BUT NO GUARANTEE IS GIVEN THAT ALL EXISTING UTILITIES ARE SHOWN OR THAT THE GIVEN LOCATIONS ARE EXACT. CONFIRMATION OF EXISTENCE AND EXACT LOCATION OF ALL SERVICES MUST BE OBTAINED FROM THE INDIVIDUAL UTILITIES BEFORE PROCEEDING WITH CONSTRUCTION.				1 ISSUED FOR TENDER 04/29/09 JW		VERTICAL 2009-04-14		RELEASED FOR CONSTRUCTION ORIGINAL SIGNED BY RANDY FINGAS APRIL 29/09		LANDSCAPE DETAILS							