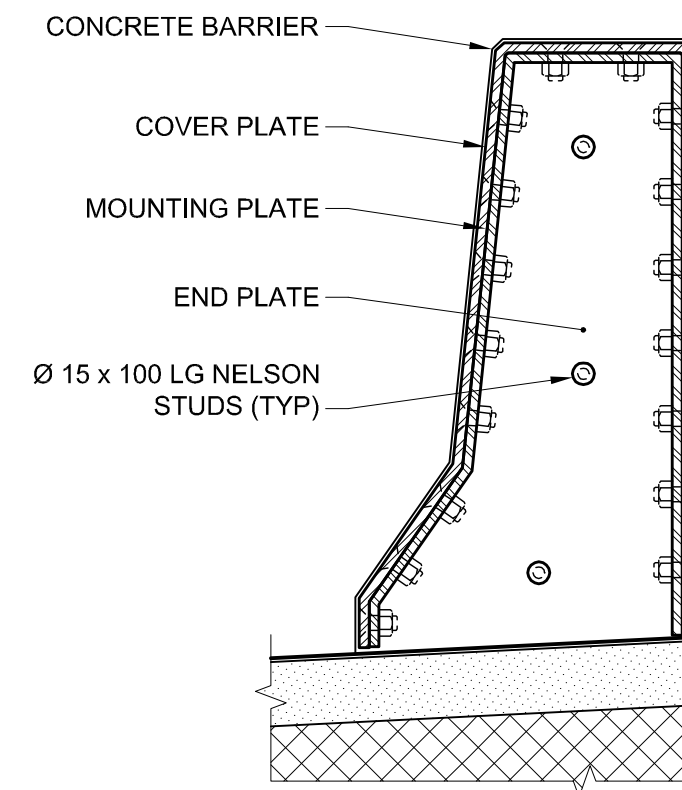
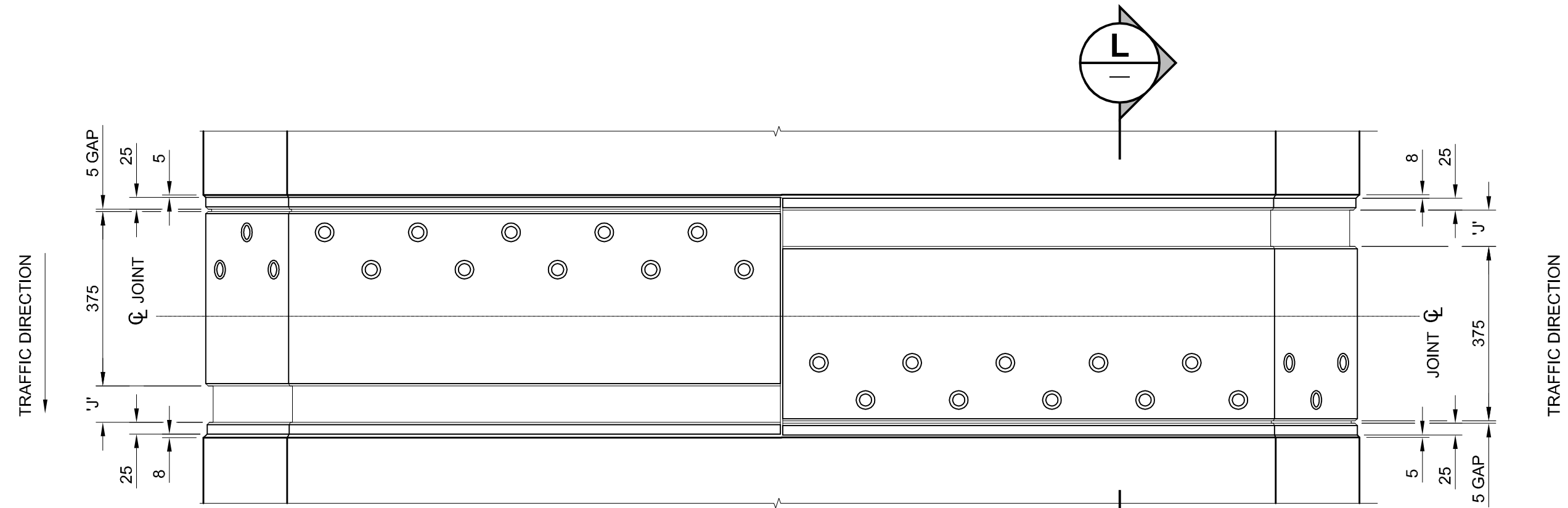


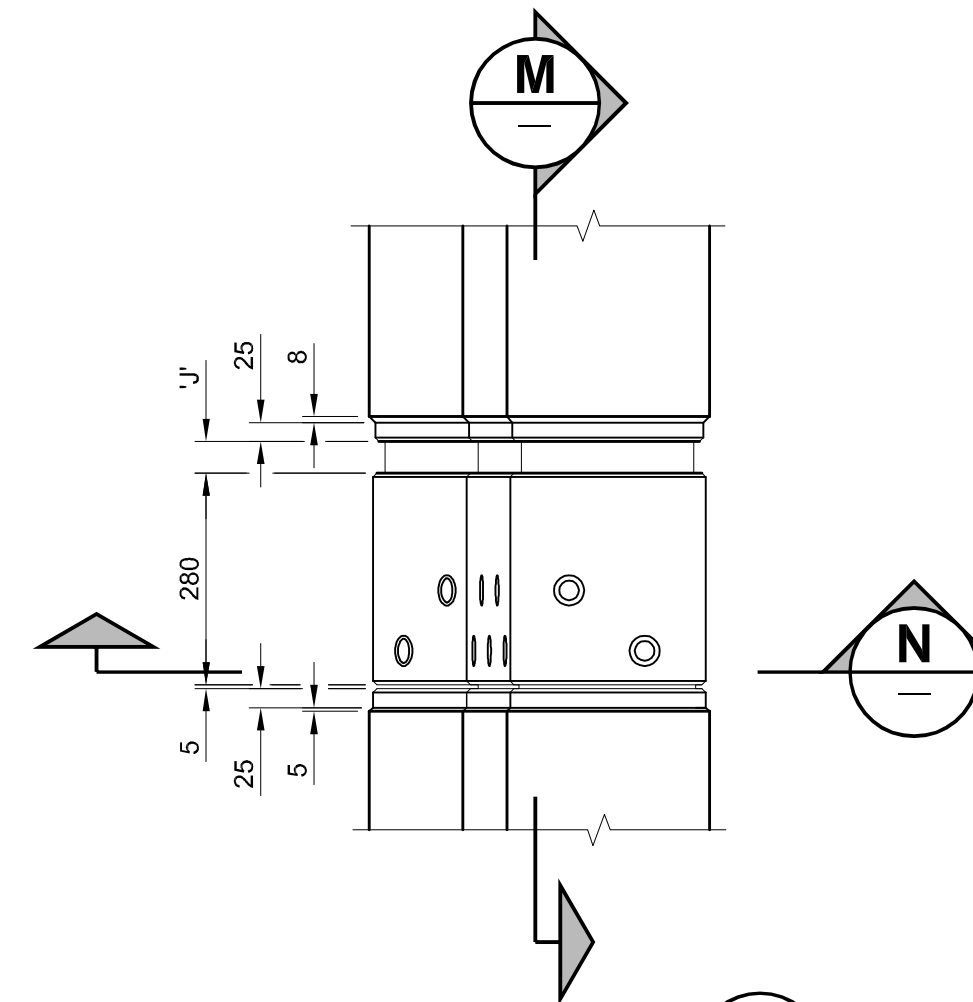
PLAN 1
SCALE 1:10



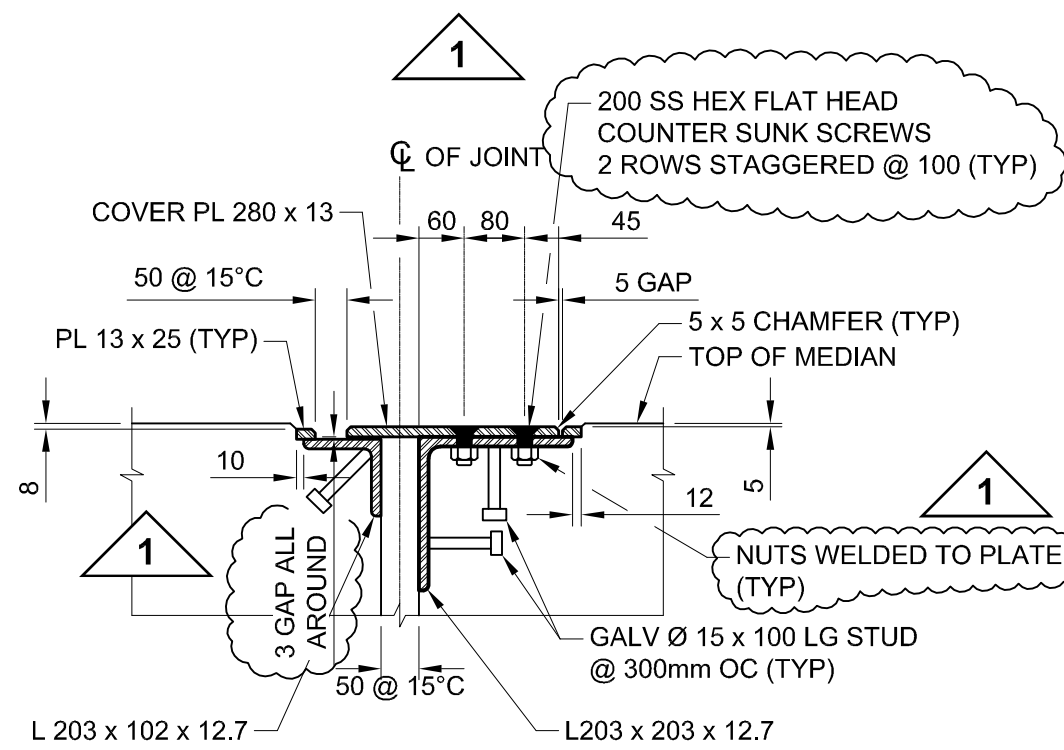
SECTION N
SCALE 1:10



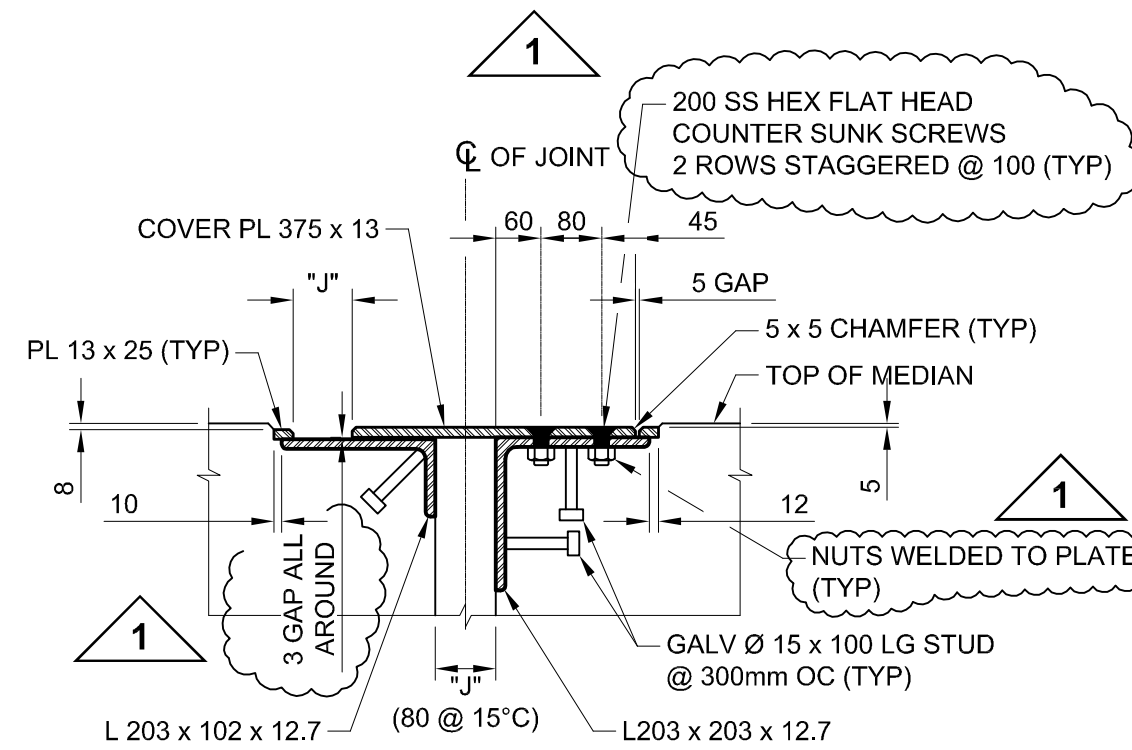
PLAN 3
SCALE 1:10



PLAN 2
SCALE 1:10



SECTION J
SCALE 1:10
TYPE 1 SAFETY MEDIAN EXPANSION JOINT

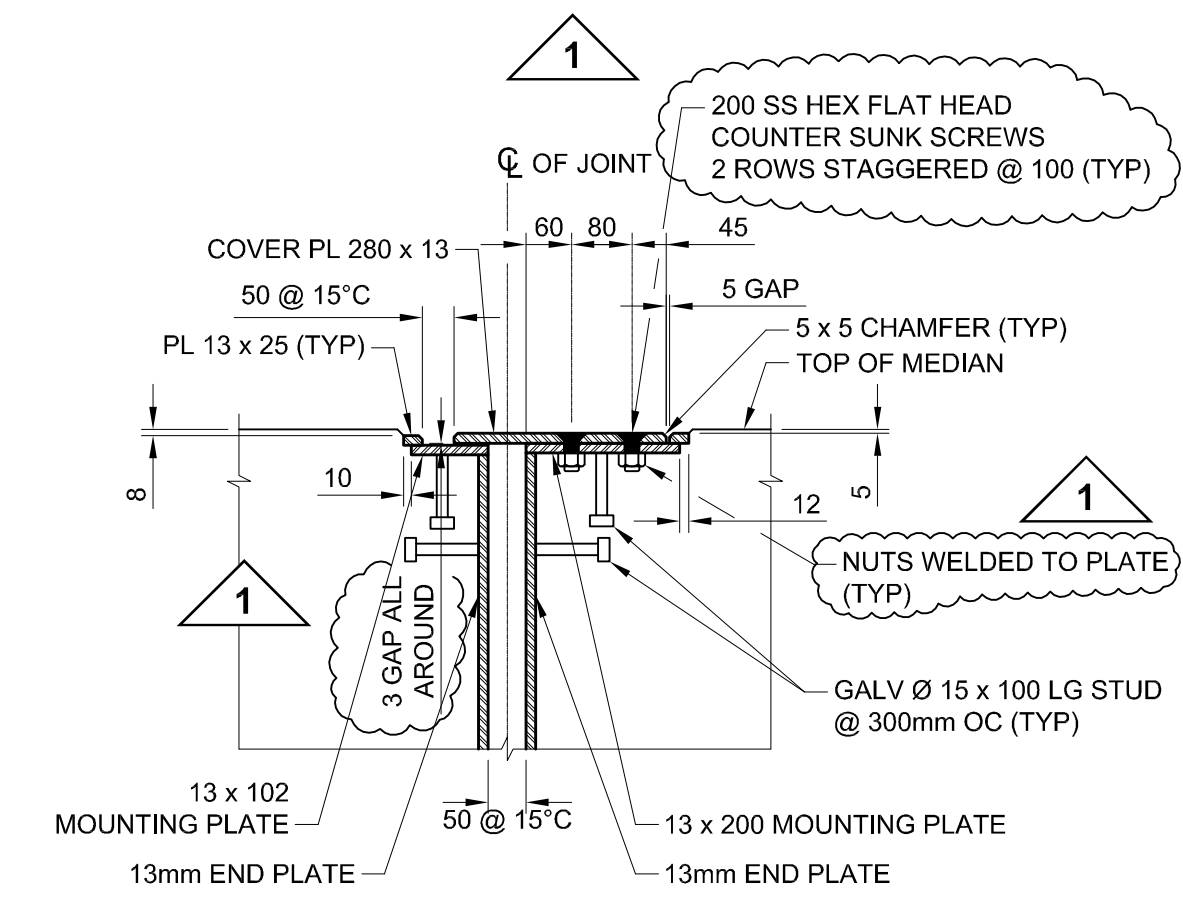


SECTION L
SCALE 1:10
TYPE 2 SAFETY MEDIAN EXPANSION JOINT

NOTES:

- SHOP DRAWINGS SHALL BE SUBMITTED FOR REVIEW AT LEAST FOURTEEN (14) WORKING DAYS PRIOR TO FABRICATION. THE EXPANSION JOINT ASSEMBLIES SHALL BE DESIGNED TO CARRY CHBDC CL-625 LIVE LOADING.
- STEEL SHALL BE IN ACCORDANCE WITH CSA STANDARD G40.21M GRADE 300W OR EQUAL.
- WELDING SHALL BE OF LOW HYDROGEN CLASSIFICATION. MANUAL ELECTRODES SHALL BE E7016 OR E7018. ALL WELDING SHALL BE IN ACCORDANCE WITH CSA STANDARD W59.
- ALL STEEL SURFACES SHALL BE HOT DIP GALVANIZED TO A NET RETENTION OF 610 GRAMS PER SQUARE METRE.
- ALL AREAS OF DAMAGED GALVANIZING SHALL BE REPAIRED BY USING THE GALVALLOY PROCEDURE AS SPECIFIED.
- INSTALLATION TEMPERATURE SHALL BE TAKEN AS THE MEAN SITE SHADE AIR TEMPERATURE FOR 48 HOURS PRIOR TO JOINT INSTALLATION AT THE STRUCTURE.

TEMPERATURE WIDTH ADJUSTMENT TABLE FOR "TYPE 2" EXPANSION JOINTS								
TYPE 2 JOINT DIM. "J"	TEMP. °C	MIN.	5°	10°	15°	20°	25°	MAX.
		56	86	83	80	77	74	129



SECTION M
SCALE 1:10
TYPE 1 TRAFFIC BARRIER EXPANSION JOINT

METRIC
WHOLE NUMBERS INDICATE MILLIMETRES
DECIMALIZED NUMBERS INDICATE METRES



BID OPPORTUNITY NO. 133-2010

LOCATION APPROVED UNDERGROUND STRUCTURES			
SUPR. U/G STRUCTURES COMMITTEE	DATE		
NOTE: LOCATION OF UNDERGROUND STRUCTURES AS SHOWN ARE BASED ON THE BEST INFORMATION AVAILABLE. BUT NO GUARANTEE IS GIVEN THAT ALL EXISTING UTILITIES ARE SHOWN OR THAT THE GIVEN LOCATIONS ARE EXACT. CONFIRMATION OF EXISTENCE AND EXACT LOCATION OF ALL SERVICES MUST BE OBTAINED FROM THE INDIVIDUAL UTILITIES BEFORE PROCEEDING WITH CONSTRUCTION.			

NO.	REVISIONS	DATE	BY
1	ISSUED FOR ADDENDUM 2	10/04/12	DJH
0	ISSUED FOR CONSTRUCTION	10/03/24	CGC

AECOM	
DESIGNED BY	AP
CHECKED BY	SBB / CGC
DRAWN BY	CGC
APPROVED BY	
HOR. SCALE	AS NOTED
VERT. SCALE	AS NOTED
DATE	YYMMDD

PROFESSIONAL'S SEAL	
PROVINCE OF MANITOBA ORIGINAL SIGNED	A. POCHANART Member 90017
REGISTERED PROFESSIONAL ENGINEER	MARCH 24/2010
CONSULTANT DRAWING NO. 0265-412-00_01-S-0782_RX.dwg	

THE CITY OF WINNIPEG
PUBLIC WORKS DEPARTMENT
ENGINEERING DIVISION

JUBILEE AVENUE OVERPASS REHABILITATION

EXPANSION JOINT DETAILS II

CITY DRAWING NUMBER: B124-10-20
SHEET 20 OF 51
DRAWING No. 20 REV 1