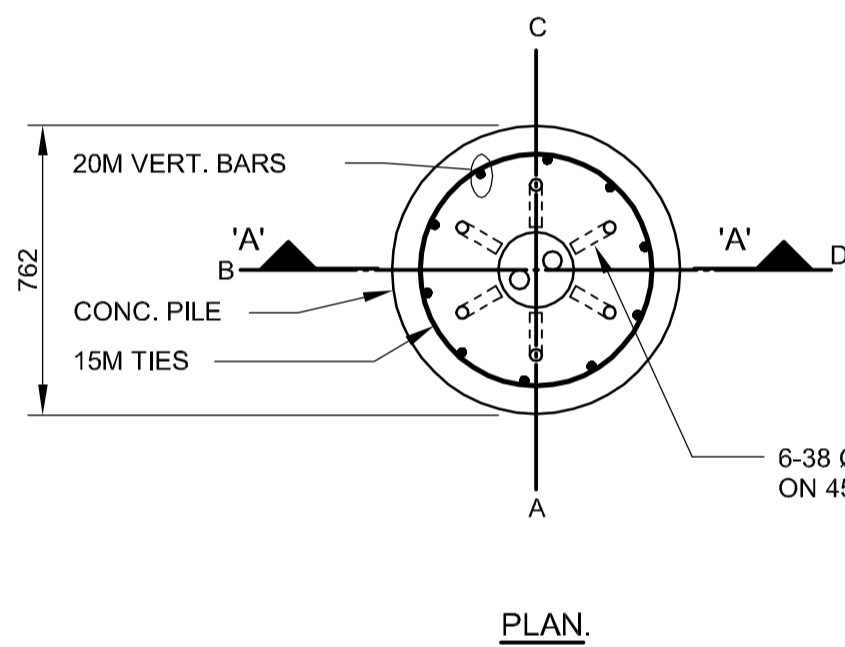


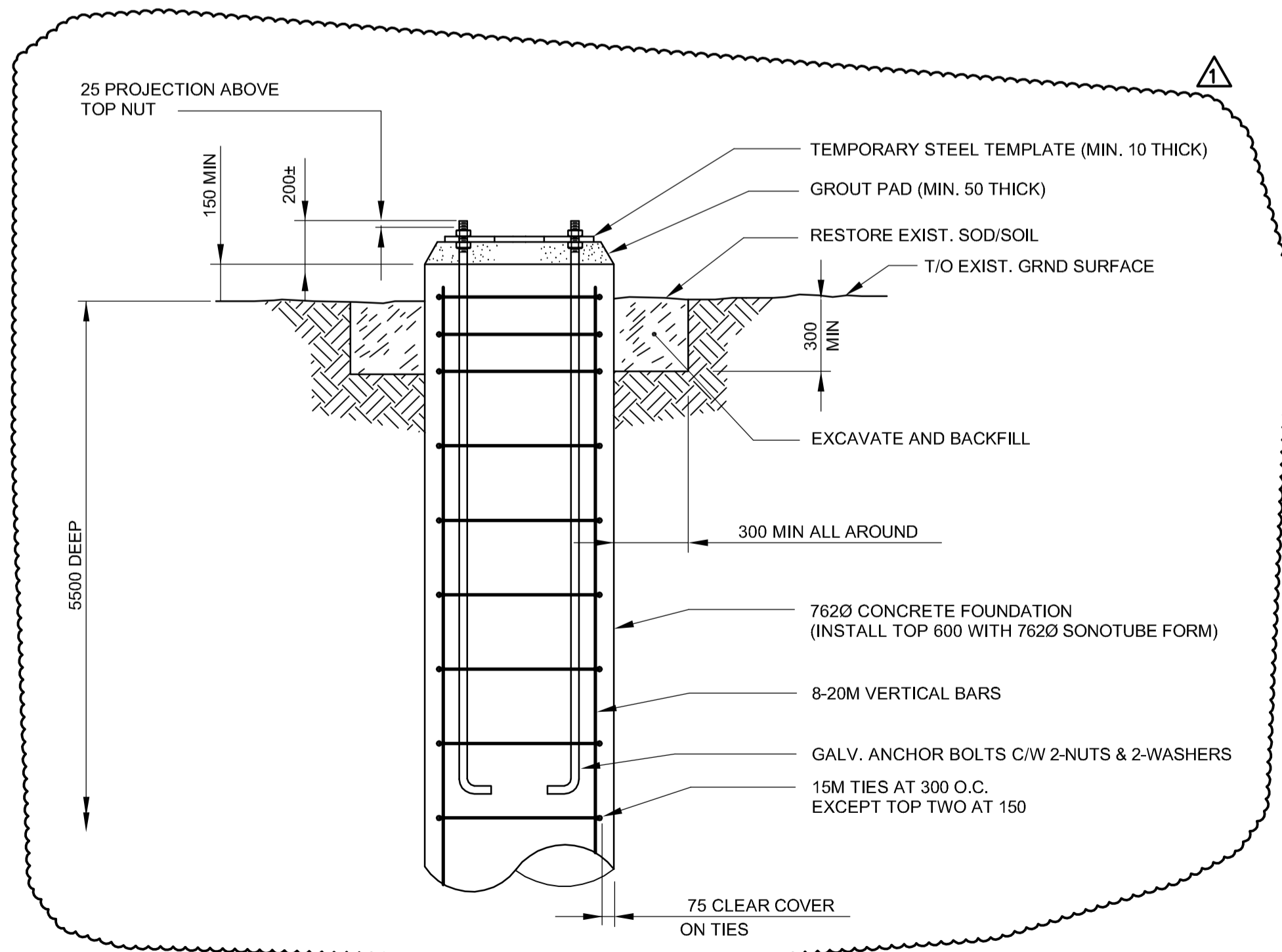
1 OVERHEAD SIGN S-678- SITE ELEVATION
SCALE 1:50



PLAN

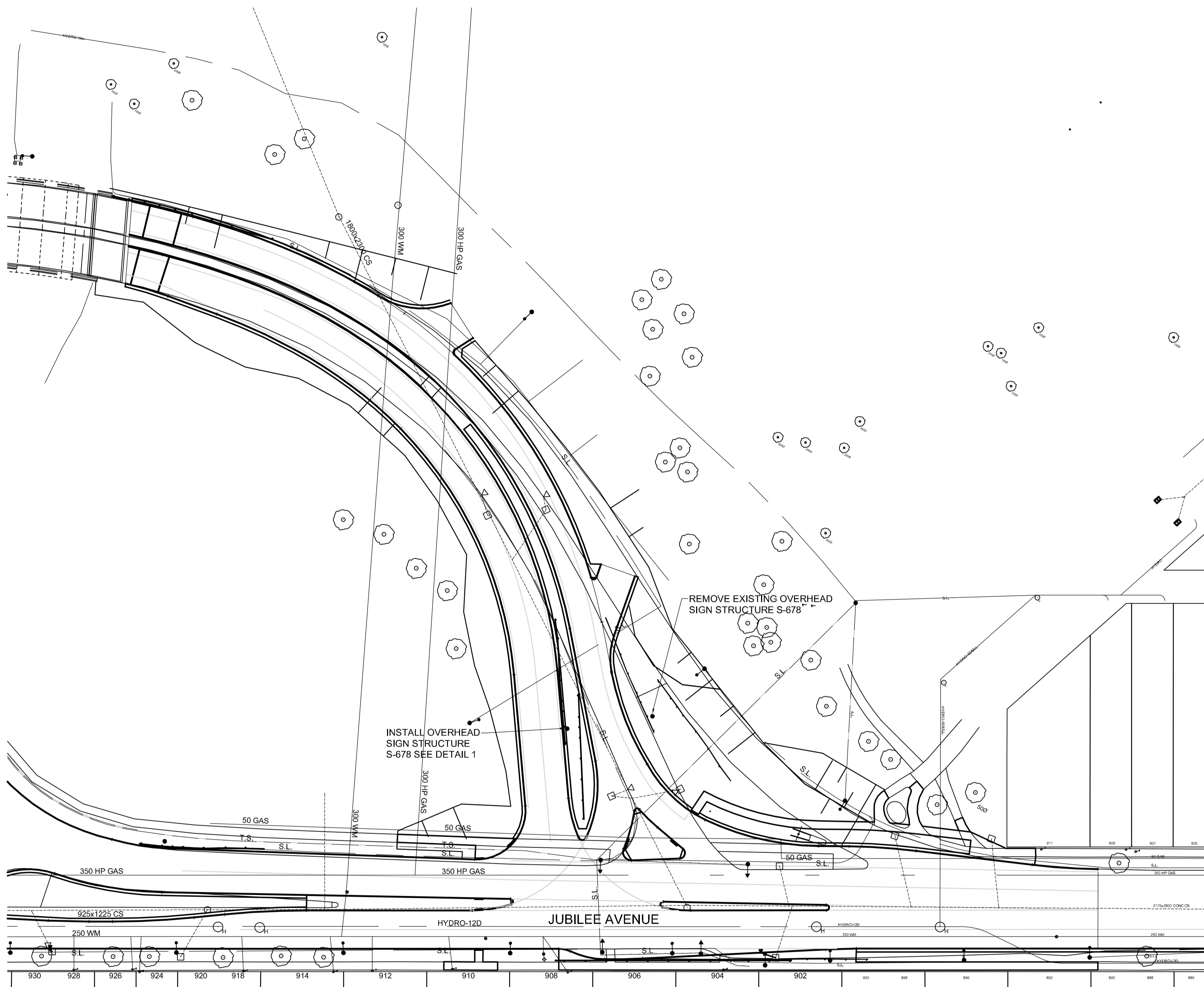
NOTES:

1. SEE ROADWAY DRAWING FOR LOCATION PLAN.
2. ALL REINFORCING TO BE GALVANIZED.
3. ALL VERTICAL BARS TO BE FULL LENGTH.
4. APPLY CONCRETE CURE AND PROTECTION SYSTEM ON VERTICAL SURFACE & GROUT PAD.



SECTION A-A

2 OVERHEAD SIGN S-678 - PILE DETAIL
SCALE 1:50



PLAN
SCALE 1:500

LOCATION APPROVED UNDERGROUND STRUCTURES

SUPR. U/G STRUCTURES	DATE	COMMITTEE

NOTE:
LOCATION OF UNDERGROUND STRUCTURES AS SHOWN ARE BASED ON THE BEST INFORMATION AVAILABLE. BUT NO GUARANTEE IS GIVEN THAT ALL EXISTING UTILITIES ARE SHOWN OR THAT THE GIVEN LOCATIONS ARE EXACT. CONFIRMATION OF EXISTENCE AND EXACT LOCATION OF ALL SERVICES MUST BE OBTAINED FROM THE INDIVIDUAL UTILITIES BEFORE PROCEEDING WITH CONSTRUCTION.

NO.	REVISIONS	DATE	BY
1	ISSUED FOR ADDENDUM 2	10/04/12	KWR
0	ISSUED FOR CONSTRUCTION	10/03/24	BC
A	ISSUED FOR 100% REVIEW	10/03/08	BC

AECOM

DESIGNED BY	CHECKED BY
KWR	WRJ
DRAWN BY	APPROVED BY
BC	
HOR. SCALE	RELEASED FOR CONSTRUCTION
AS NOTED	
VERT. SCALE	DATE
N/A	

PROFESSIONAL'S SEAL

PROVINCE OF MANITOBA
ORIGINAL SIGNED
K.W. RAE
MARCH 24/2012
REGISTERED PROFESSIONAL ENGINEER

CONSULTANT DRAWING NO. CT-47.dwg

THE CITY OF WINNIPEG
PUBLIC WORKS DEPARTMENT
TRANSPORTATION ENGINEERING DIVISION

JUBILEE AVENUE OVERPASS ASSOCIATED ROADWORKS
OVERHEAD SIGN S-678
PLAN & DETAILS

CITY DRAWING NUMBER B124-10-47
SHEET 47 OF 51
DRAWING No. 47 REV 1



BID OPPORTUNITY NO. 133-2010