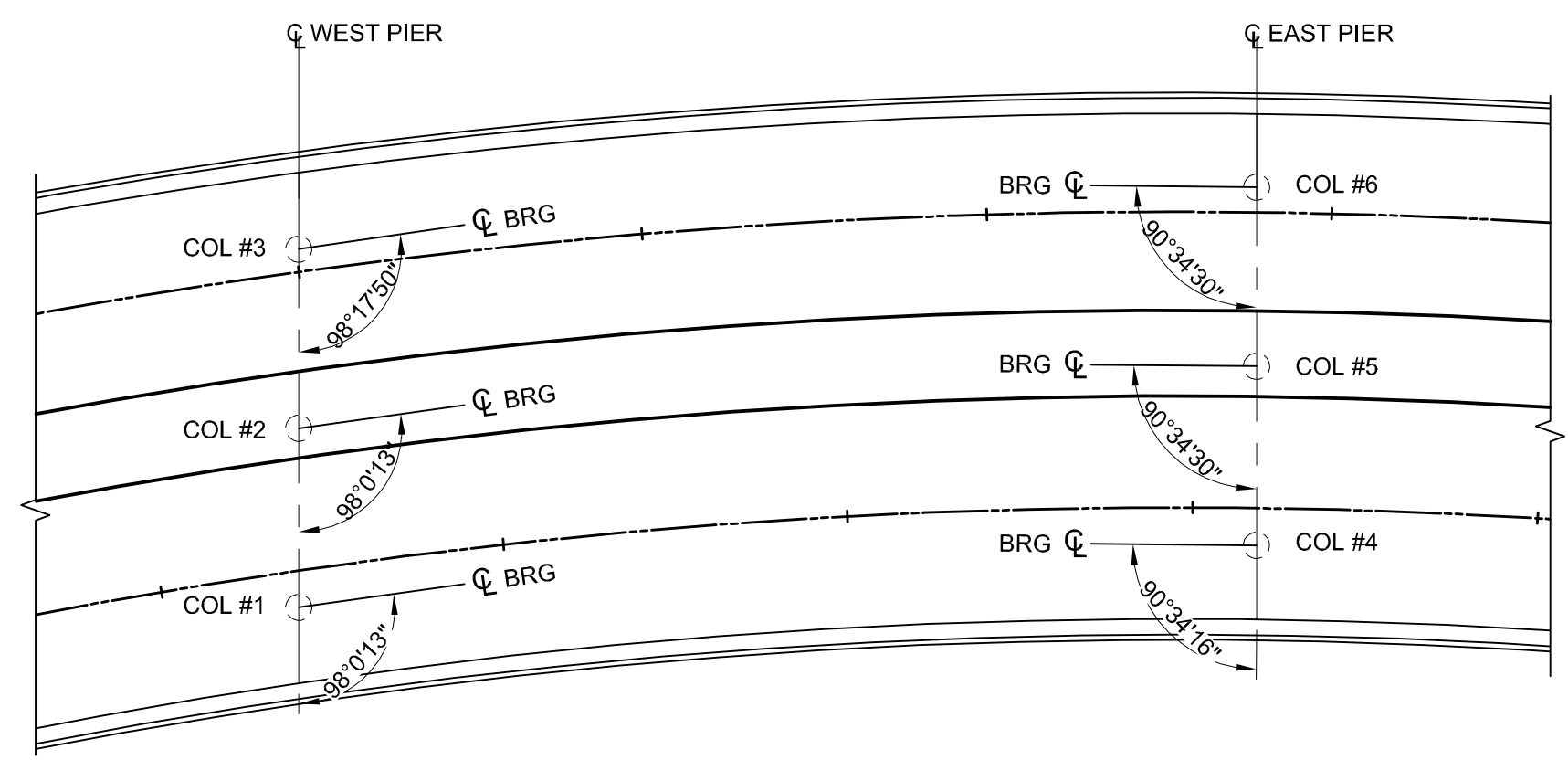
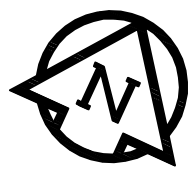
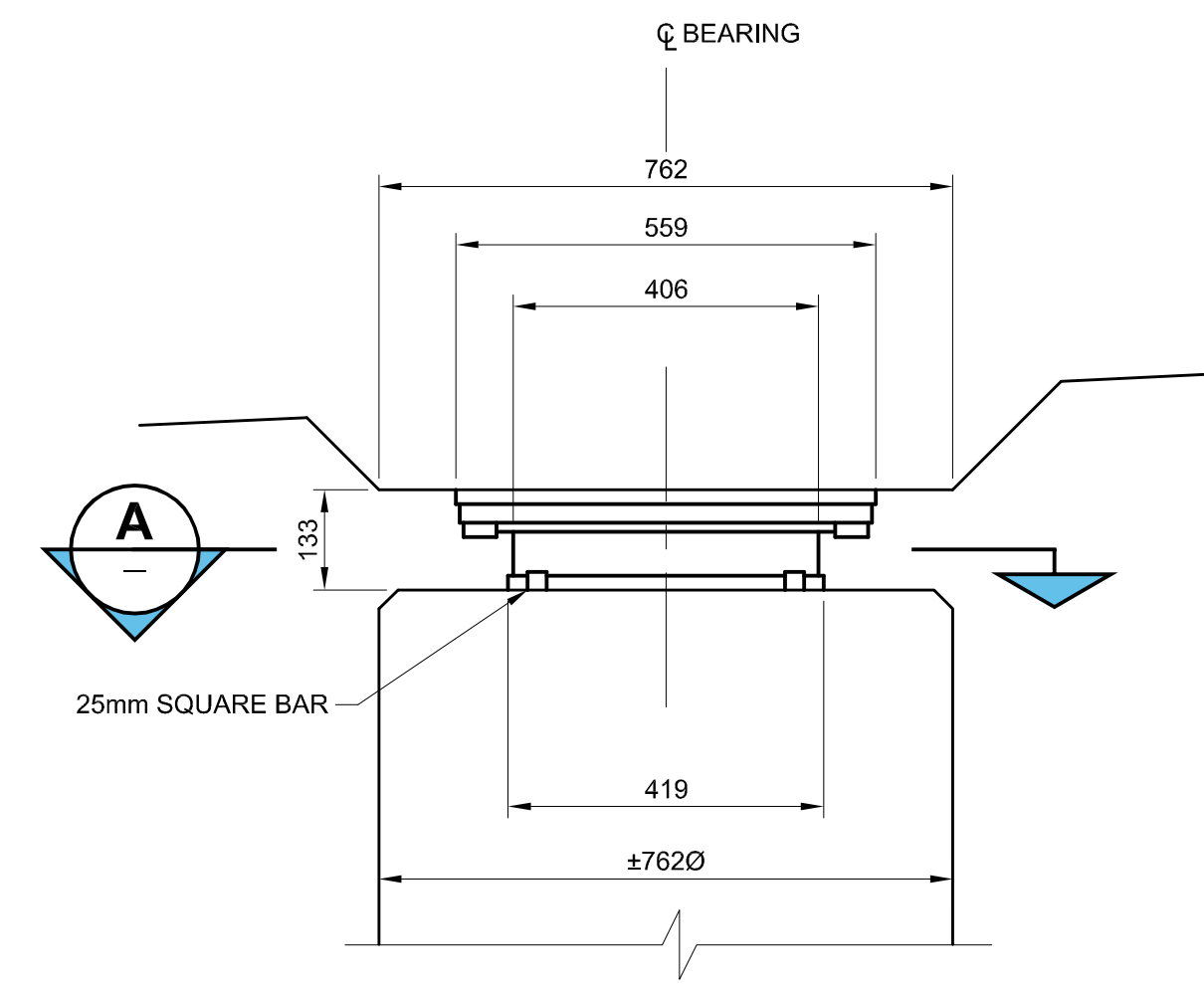


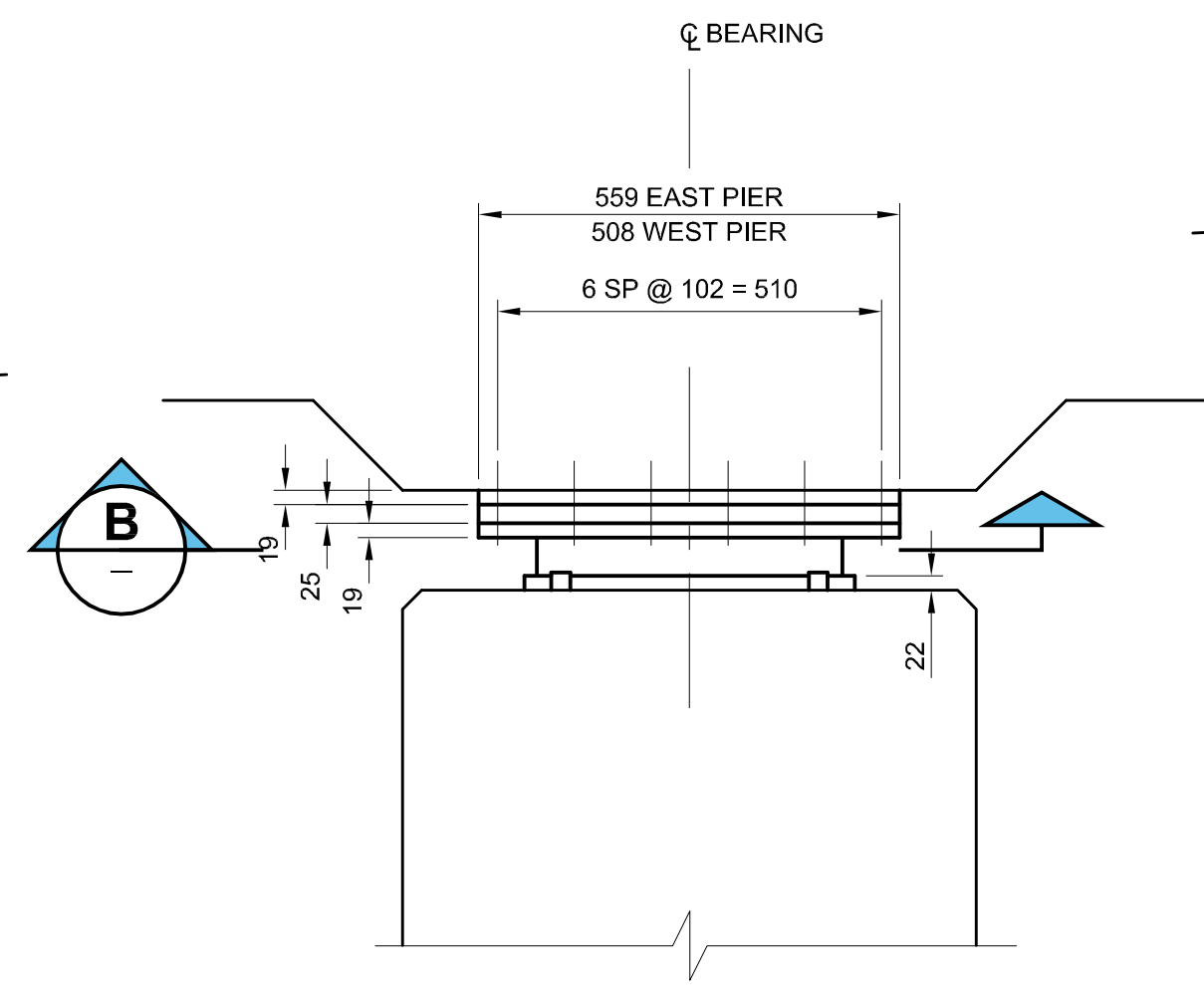
A1 SIZE 23.4" x 33.1" (594mm x 841mm) PLOT: 10/03/24 11:00:59 AM AECOM FILE NAME: 0265-412-00\_01-S-0401\_RX.dwg Saved By: crossmanac



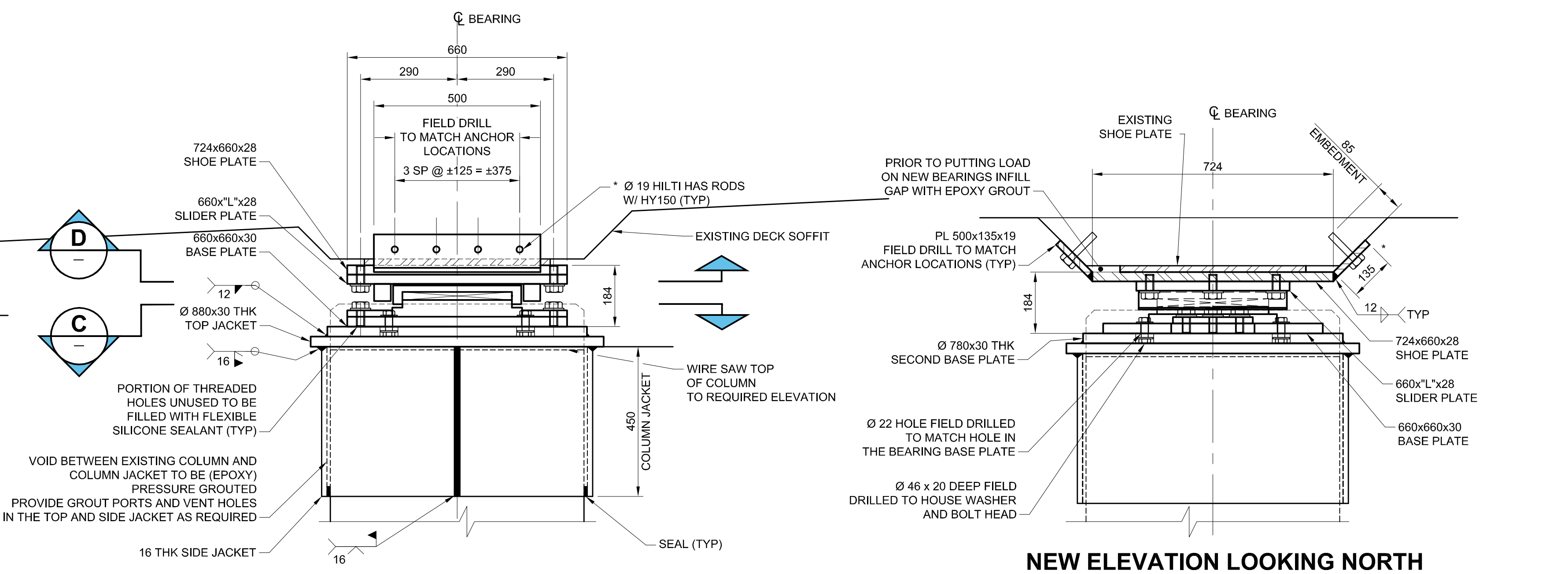
**EXISTING BEARING ORIENTATION PLAN**



**EXISTING ELEVATION LOOKING WEST**



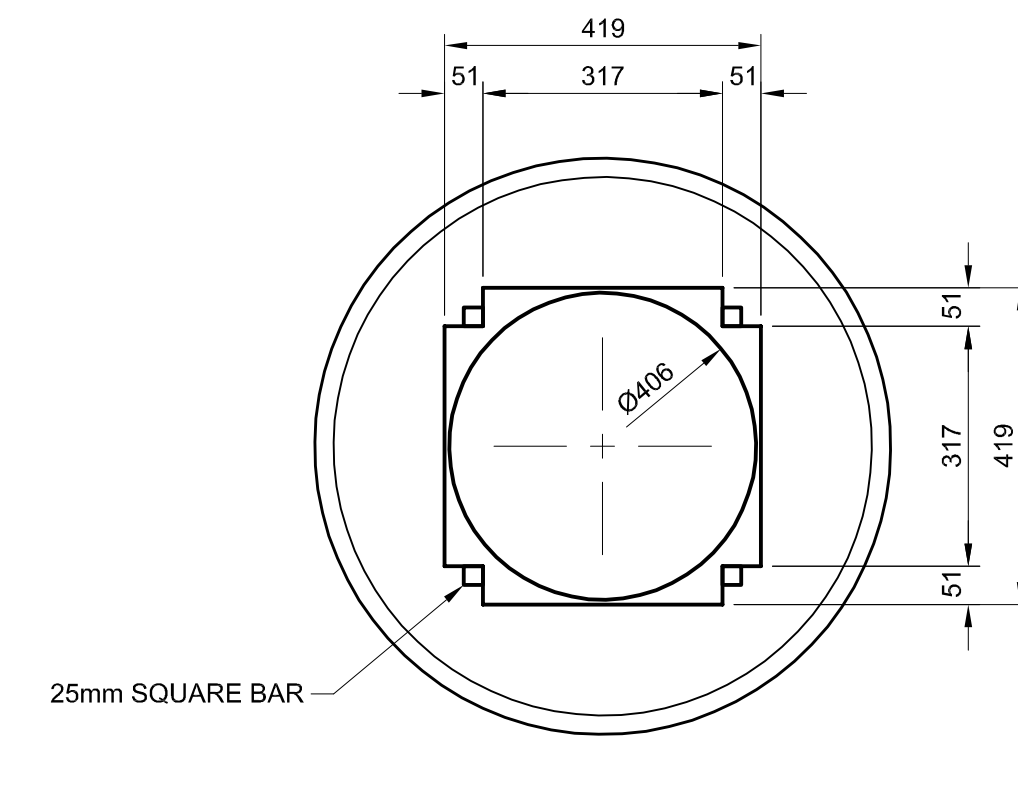
**EXISTING ELEVATION LOOKING NORTH**



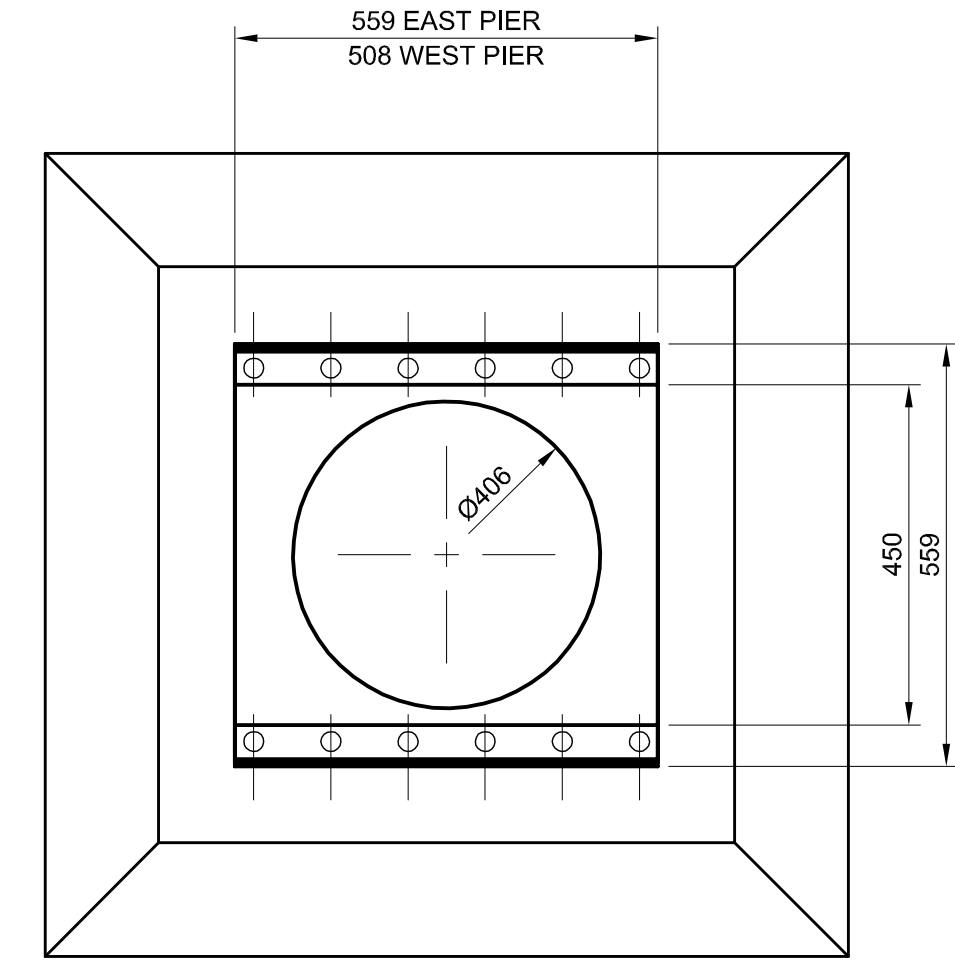
**NEW ELEVATION LOOKING WEST**

**NEW ELEVATION LOOKING NORTH**

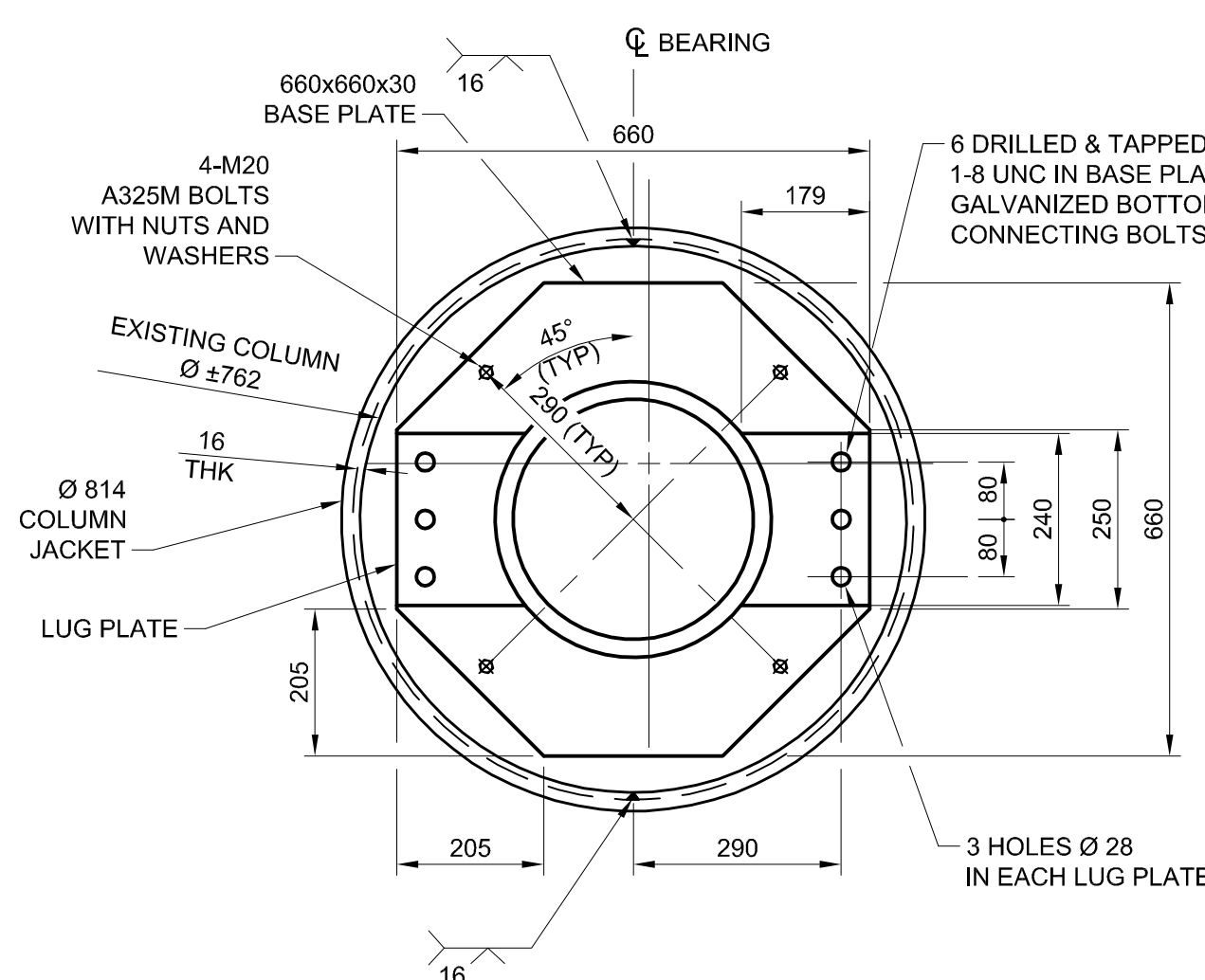
NOTE:  
\* APPROX. SPACING, FIELD DRILLED.  
LOCATE EXISTING REINFORCING BARS  
IN THE DROP PANEL PRIOR TO DRILLING.



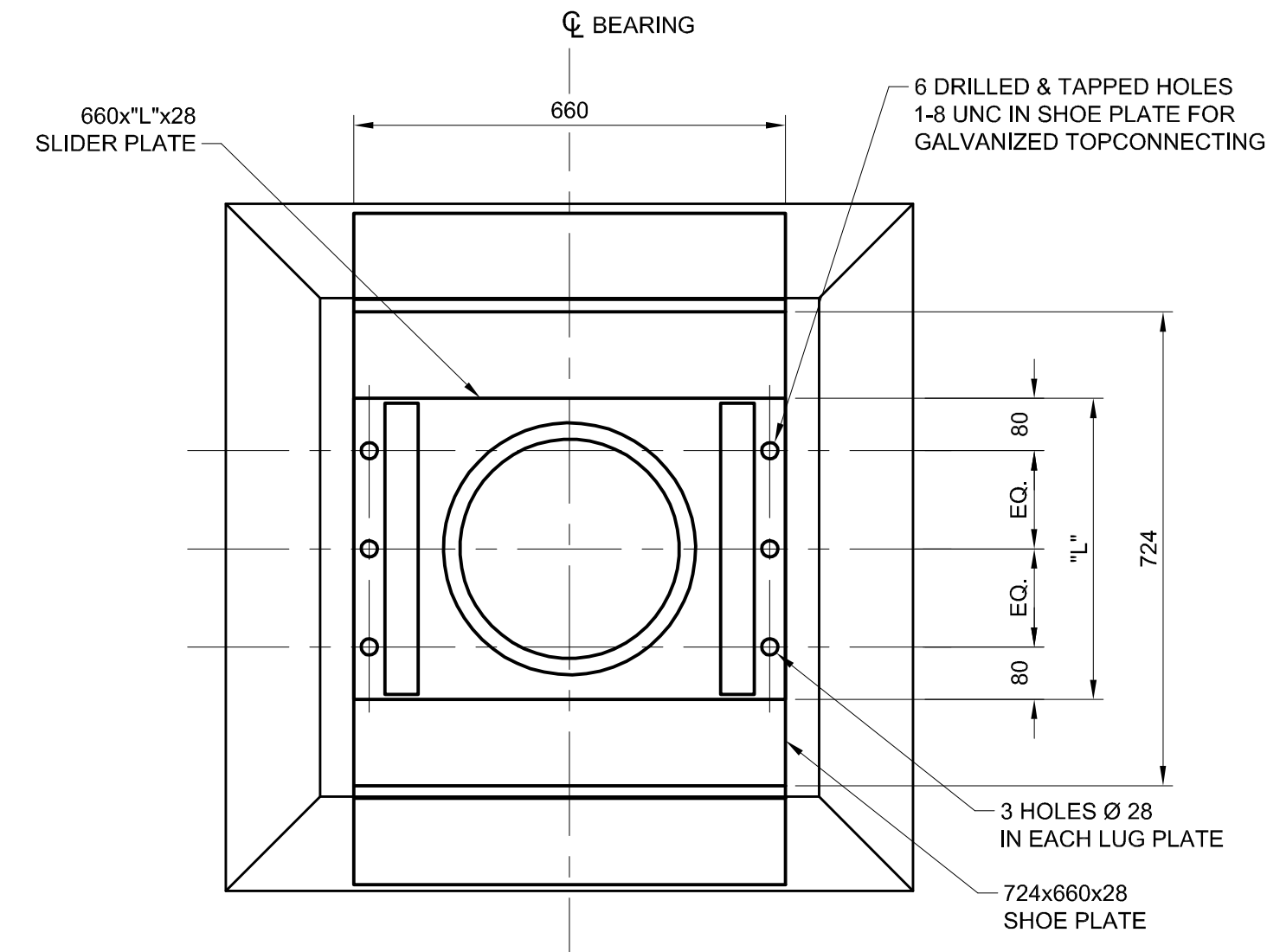
**SECTION A**



**SECTION B**



**SECTION C**



**SECTION D**

NOTE:  
DIMENSION "L" TO ALLOW FOR  
RANGE OF MOVEMENT PER THE  
DESIGN TABLE.

BEARING DESIGN DATA (6 REQUIRED)									
TYPE	LIMIT STATE	COMBINATION	VERT. LOAD (KN)	MAX. HORIZ. LOAD (KN)		MAX. ROTATION (°)		MAX. TRANSLATION (mm)	
				LONG.	TRANS.	HORIZ. AXIS	VERT. AXIS	LONG.	TRANS.
UNI-DIRECTIONAL BEARING HEIGHT H=164mm	SERVICEABILITY	PERMANENT	2200	-	-	±1.0	±1.0	±80	±2.0
		PERMANENT + TRANSITORY MAX.	3000	-	220				
	ULTIMATE	PERMANENT	2700	-	-	±1.0	±1.0	±100	±3.0
		PERMANENT + TRANSITORY MAX.	4000	-	270				

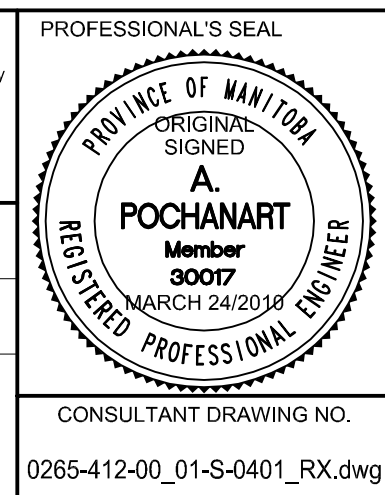
NOTE: ORIENT THE NEW BEARINGS TO THE EXISTING BEARING ORIENTATION.



**METRIC**  
WHOLE NUMBERS INDICATE MILLIMETRES  
DECIMALIZED NUMBERS INDICATE METRES

LOCATION APPROVED UNDERGROUND STRUCTURES			
SUPR. U/G STRUCTURES COMMITTEE	DATE		
NOTE: LOCATION OF UNDERGROUND STRUCTURES AS SHOWN ARE BASED ON THE BEST INFORMATION AVAILABLE. BUT NO GUARANTEE IS GIVEN THAT ALL EXISTING UTILITIES ARE SHOWN OR THAT THE GIVEN LOCATIONS ARE EXACT. CONFIRMATION OF EXISTENCE AND EXACT LOCATION OF ALL SERVICES MUST BE OBTAINED FROM THE INDIVIDUAL UTILITIES BEFORE PROCEEDING WITH CONSTRUCTION.			
0	ISSUED FOR CONSTRUCTION	10/03/24	CPK
A	ISSUED FOR 100% REVIEW	10/03/08	DJH
NO.	REVISIONS	YYMMDD	BY

AECOM			
DESIGNED BY	AP	CHECKED BY	SBB / CGC
DRAWN BY	DJH	APPROVED BY	
HOR. SCALE	AS NOTED	RELEASED FOR CONSTRUCTION	
VERT. SCALE	AS NOTED		
DATE	YYMMDD	DATE	



**THE CITY OF WINNIPEG**  
PUBLIC WORKS DEPARTMENT  
ENGINEERING DIVISION

**JUBILEE AVENUE OVERPASS REHABILITATION**

**BEARING REPLACEMENT DETAILS**

CITY DRAWING NUMBER: B124-10-06  
SHEET 06 OF 51  
DRAWING No. 06  
REV 0

CONSULTANT DRAWING NO. 0265-412-00\_01-S-0401\_RX.dwg

BID OPPORTUNITY NO. 133-2010