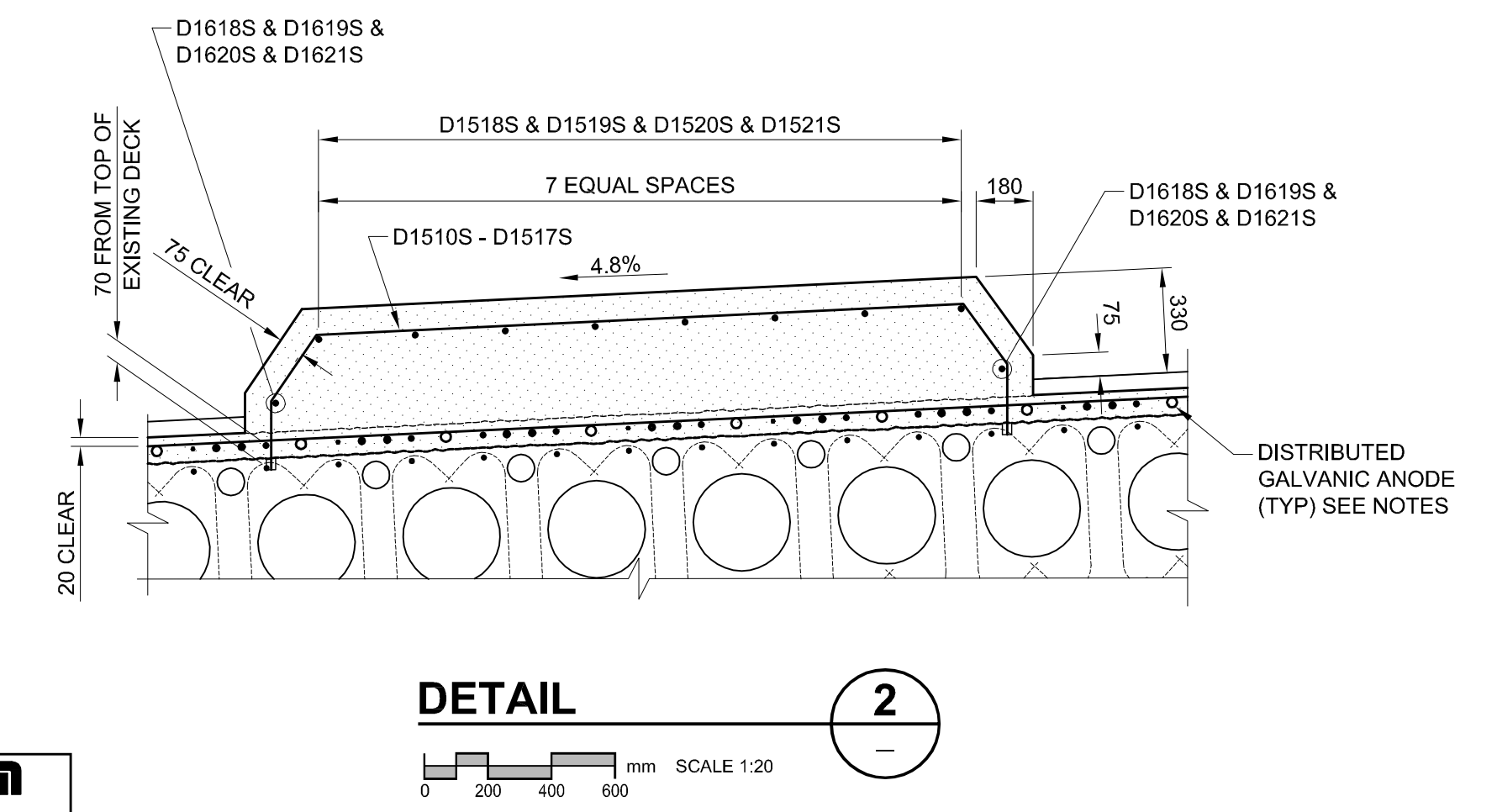
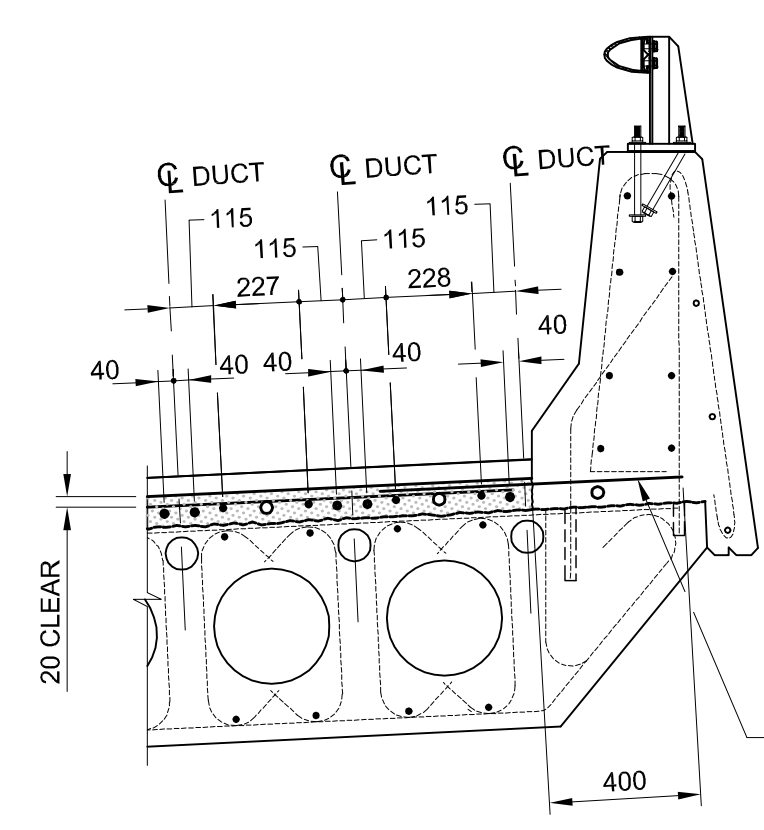
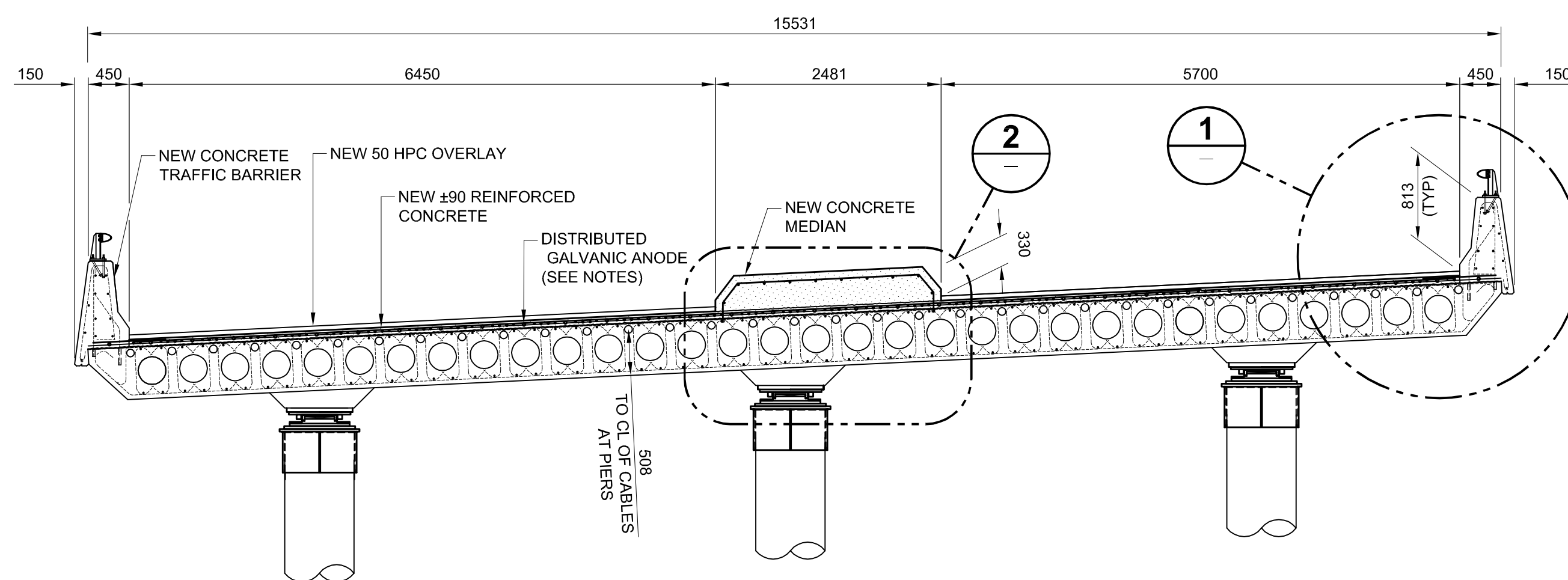
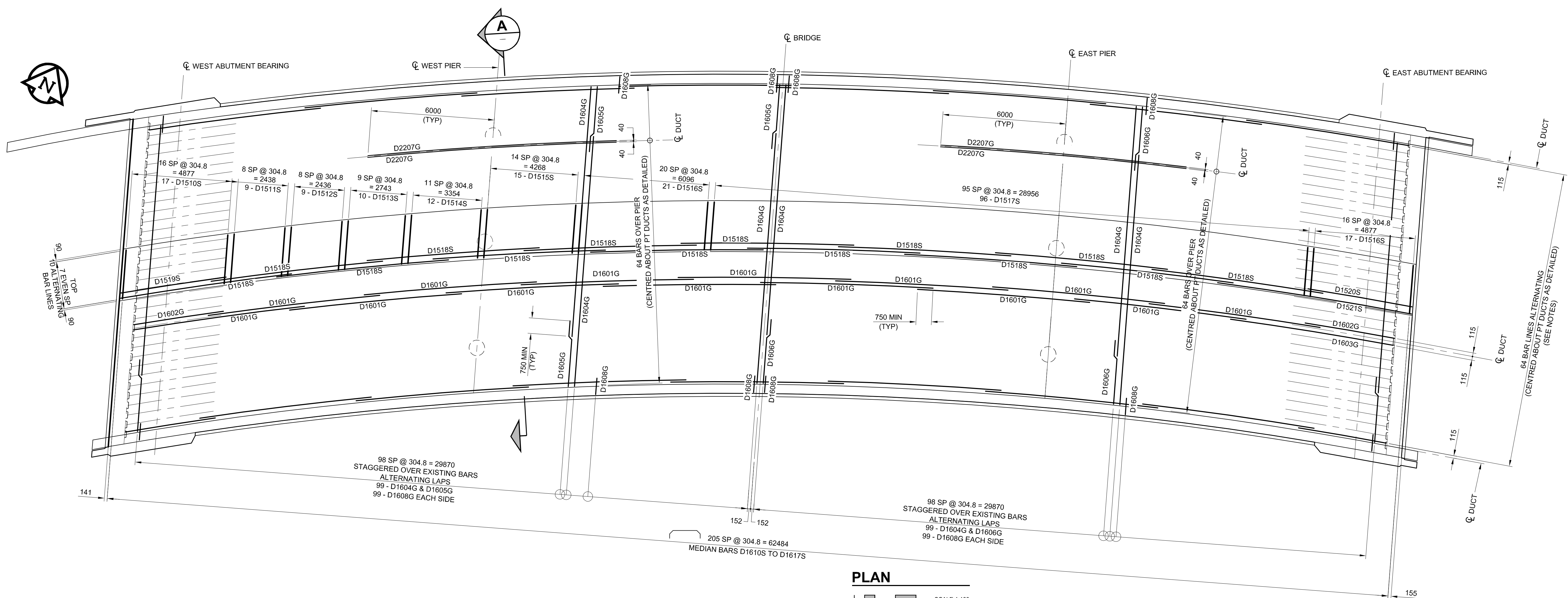


A1 SIZE 23.4" x 33.1" (594mm x 841mm)
PLOT: 10/03/24 11:01:22 AM
AECOM FILE NAME: 0265-412-00_01-S-0501_RX.dwg Saved By: crossmanac



- NOTES:
- 1. SIZE AND SPACING OF THE DISTRIBUTED GALVANIC ANODES AND THE ACCOMPANYING MONITORING SYSTEM SHALL BE AS DETERMINED BY AN NACE-QUALIFIED CATHODIC PROTECTION SPECIALIST EMPLOYED BY THE CORROSION MITIGATION TECHNOLOGY COMPANY AND ENLISTED BY THE CONTRACTOR.
 - 2. SPACING OF LONGITUDINAL GFRP REINFORCING IS TO BE FIELD ADJUSTED TO SUIT THE SPACING AND ORIENTATION OF THE GALVANIC ANODES.
 - 3. MINIMUM AND MAXIMUM DECK REMOVAL THICKNESSES ARE 20mm AND 75mm RESPECTIVELY.
 - 4. THE CONCRETE SURFACE TO RECEIVE HPC OVERLAY SHALL BE INTENTIONALLY ROUGHENED. THE SURFACE SHALL BE RAKED AND ROUGHENED TO PROVIDE A SURFACE PROFILE THAT WILL FACILITATE THE BOND OF THE HPC OVERLAY. FLOATING OF THIS SURFACE SHALL BE MINIMIZED TO AVOID FORMATION OF BLEED WATER ON THE SURFACE.
 - 5. BASED ON THE RESULTS FROM THE POST-TENSIONED CABLE BREAK SCANNING, THE CONTRACT ADMINISTRATOR MAY INSTRUCT THE CONTRACTOR TO PLACE FEWER THAN 64 OF D2207G PER PIER OR MAY GIVE AN INSTRUCTION TO ALTER THEIR SPACING.

LOCATION APPROVED UNDERGROUND STRUCTURES	
SUPR. U/G STRUCTURES COMMITTEE	DATE
NOTE: LOCATION OF UNDERGROUND STRUCTURES AS SHOWN ARE BASED ON THE BEST INFORMATION AVAILABLE. BUT NO GUARANTEE IS GIVEN THAT ALL EXISTING UTILITIES ARE SHOWN OR THAT THE GIVEN LOCATIONS ARE EXACT. CONFIRMATION OF EXISTENCE AND EXACT LOCATION OF ALL SERVICES MUST BE OBTAINED FROM THE INDIVIDUAL UTILITIES BEFORE PROCEEDING WITH CONSTRUCTION.	

NO.	REVISIONS	YYMMDD	BY
0	ISSUED FOR CONSTRUCTION	10/03/24	CPK
B	ISSUED FOR 100% REVIEW	10/03/08	DJH
A	ISSUED FOR 30% REVIEW	10/01/28	DJH

AECOM
Certificate of Authorization
AECOM Canada Ltd.
Original dated on: No. 4671 Date: 2010/03/24

DESIGNED BY	AP	CHECKED BY	SBB / CGC
DRAWN BY	DJH	APPROVED BY	
HOR. SCALE	AS NOTED	RELEASED FOR CONSTRUCTION	
VERT. SCALE	AS NOTED		
DATE	YYMMDD	DATE	

PROFESSIONAL'S SEAL
PROVINCE OF MANITOBA
ORIGINAL SIGNED
A. POCHANART
Member 90017
MARCH 24/2018
REGISTERED PROFESSIONAL ENGINEER

CONSULTANT DRAWING NO.
0265-412-00_01-S-0501_RX.dwg

THE CITY OF WINNIPEG
PUBLIC WORKS DEPARTMENT
ENGINEERING DIVISION

JUBILEE AVENUE OVERPASS REHABILITATION

DECK CONCRETE DETAILS & REINFORCING DETAILS

CITY DRAWING NUMBER B124-10-08
SHEET 08 OF 51
DRAWING No. 08 REV 0

BID OPPORTUNITY NO. 133-2010